

TS25NCEU

Parts Catalog

목 차

1. Engine PART NO. EG

FIG CYLINDER BLOCK(TS25)	7
FIG CYLINDER BLOCK(TS23)	9
FIG CAMSHAFT & DRIVING GEAR(TS23)	11
FIG CRANKSHAFT & PISTON(TS25)	13
FIG CRANKSHAFT & PISTON(TS23)	15
FIG LUB. OIL SYSTEM	17
FIG COOLING WATER SYSTEM	19
FIG FUEL INJECTION PUMP(TS25)	21
FIG FUEL INJECTION PUMP(TS23)	23
FIG GOVERNOR(TS25)	25
FIG GOVERNOR(TS23)	27
FIG FUEL INJECTION VALVE(TS25)	29
FIG GEAR HOUSING(TS25)	31
FIG FUEL INJECTION VALVE(TS23)	33
FIG FUEL FILTER	35
FIG STARTING MOTOR	37
FIG GENERATOR	39
FIG GASKET SET	41
FIG GEAR HOUSING(TS23)	43
FIG OIL SUMP(TS25)	45
FIG OIL SUMP(TS23)	47
FIG CYLINDER HEAD & BONNET(TS25)	49
FIG CYLINDER HEAD & BONNET(TS23)	52
FIG EXHAUST MANIFOLD	55
FIG CAMSHAFT & DRIVING GEAR(TS25)	57

2. Engine Accessories PART NO. T2

FIG AIR CLEANER	60
FIG RADIATOR	62
FIG MUFFLER	64

FIG ACCELERATOR	66
FIG FUEL FILTER	68
FIG ENGINE MOUNTING	70
FIG FUEL TANK & FUEL LINE	72

3. Clutch/Brake/Steering PART NO. T3

FIG FLYWHEEL COVER	75
FIG BRAKE	77
FIG CLUTCH , BRAKE PEDAL & LINKAGE	79
FIG ACCELERATOR PEDAL & CABLE	81
FIG DASH COVER	83
FIG STEERING VALVE	85
FIG STEERING CYLINDER	87
FIG STEERING WHEEL	89
FIG TIRE	91
FIG HAND BRAKE	93

4. Transmission PART NO. T4

FIG INPUT SHAFT	96
FIG INPUT GEAR	98
FIG REAR TRANSMISSION CASE	100
FIG REAR AXLE HOUSING	102
FIG MAIN SHIFT LEVER	104
FIG RANGE SHIFT LEVER	106
FIG P.T.O CHANGE LEVER	108
FIG 4WD CHANGE LEVER	110
FIG TRANSMISSION MOUNTING	112
FIG MAIN SHIFT GEAR	114
FIG RANGE GEAR	116
FIG 4WD DRIVE GEAR	118
FIG P.T.O DRIVE SHAFT	120
FIG P.T.O SHAFT	122
FIG MID P.T.O GEAR	124
FIG DIFF LOCK	126
FIG MID TRANSMISSION CASE	128

5. Front Axle PART NO. T5

FIG FRONT DRIVE SHAFT	131
-----------------------	-----

FIG FRONT DIFFERENTIAL GEAR	133
FIG FRONT AXLE HOUSING	135
FIG FRONT GEAR CASE (1)	137
FIG FRONT GEAR CASE (2)	139

6. Hydraulic/3P-Link PART NO. T6

FIG CYLINDER CASE	142
FIG LIFT ARM	144
FIG FLOW CONTROL VALVE	146
FIG MAIN CONTROL VALVE	148
FIG HYDRAULIC SUB	150
FIG HITCH & 3-POINT LINKAGE	152
FIG HITCH & COVER	154

7. Sheet Metal & Cabin PART NO. T7

FIG BONNET	157
FIG FLOOR	159
FIG SEAT	161
FIG ROPS	163
FIG LEVER COVER & FENDER	165
FIG LAMP	167
FIG BONNET	169

8. Electrical System PART NO. T8

FIG BATTERY MOUNTING	172
FIG INSTRUMENT PANEL	174
FIG HARNESS	176
FIG HARNESS	178
FIG HARNESS	180

9. Label/Option PART NO. T9

FIG TOOL & ACCESSORY	183
FIG LABEL	185
FIG LABEL	187

FIG AUXILIARY VALVE KIT - OPTION
FIG WEIGHT

189
191

1. Engine PART NO. EG

FIG CYLINDER BLOCK(TS25)	7
FIG CYLINDER BLOCK(TS23)	9
FIG CAMSHAFT & DRIVING GEAR(TS23)	11
FIG CRANKSHAFT & PISTON(TS25)	13
FIG CRANKSHAFT & PISTON(TS23)	15
FIG LUB. OIL SYSTEM	17
FIG COOLING WATER SYSTEM	19
FIG FUEL INJECTION PUMP(TS25)	21
FIG FUEL INJECTION PUMP(TS23)	23
FIG GOVERNOR(TS25)	25
FIG GOVERNOR(TS23)	27
FIG FUEL INJECTION VALVE(TS25)	29
FIG GEAR HOUSING(TS25)	31
FIG FUEL INJECTION VALVE(TS23)	33
FIG FUEL FILTER	35
FIG STARTING MOTOR	37
FIG GENERATOR	39
FIG GASKET SET	41
FIG GEAR HOUSING(TS23)	43
FIG OIL SUMP(TS25)	45
FIG OIL SUMP(TS23)	47
FIG CYLINDER HEAD & BONNET(TS25)	49
FIG CYLINDER HEAD & BONNET(TS23)	52
FIG EXHAUST MANIFOLD	55
FIG CAMSHAFT & DRIVING GEAR(TS25)	57

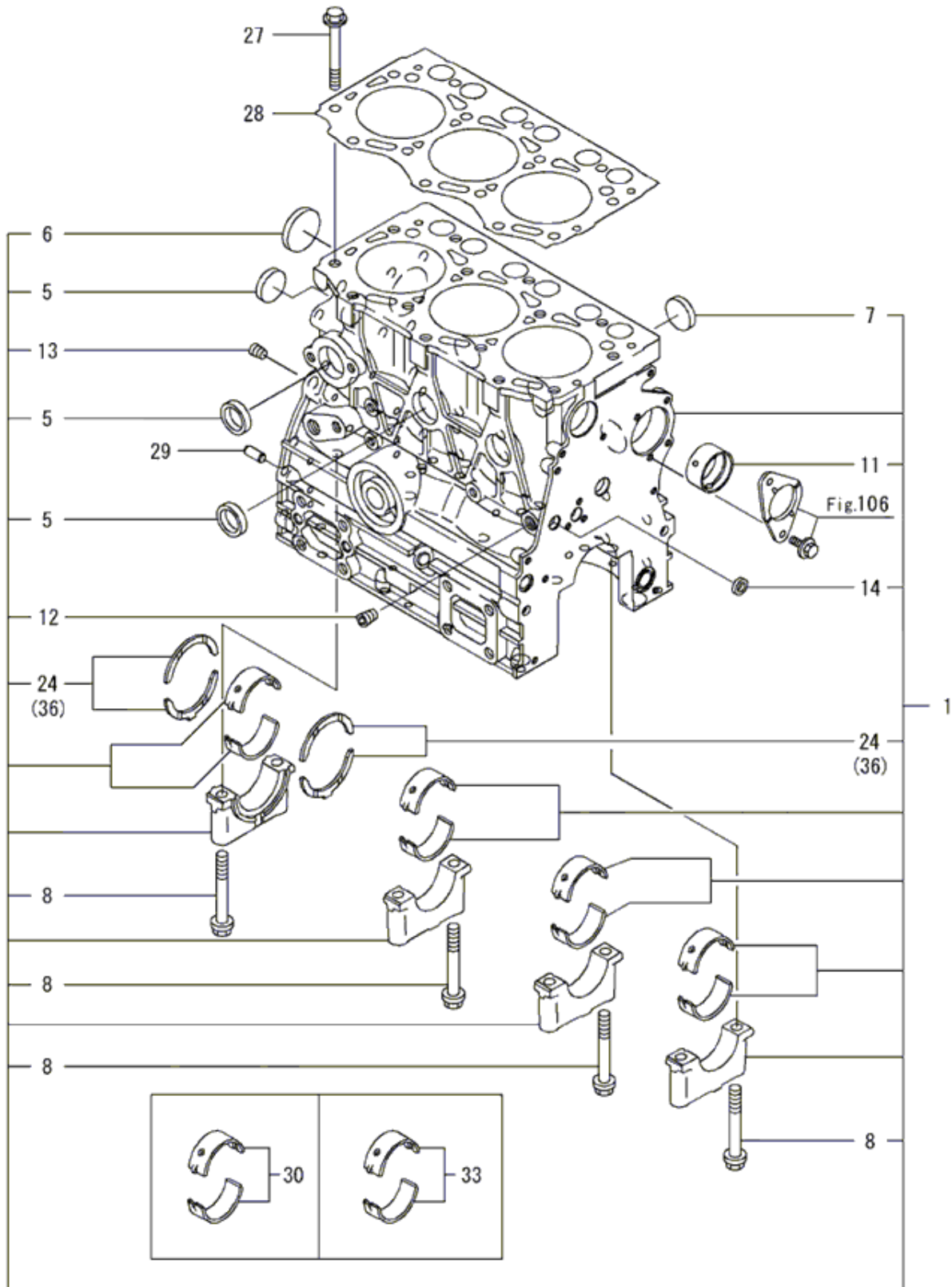
FIG

CYLINDER BLOCK(TS25)

년/월
Year/Month

TS25NCEU

2021-09



NOTE

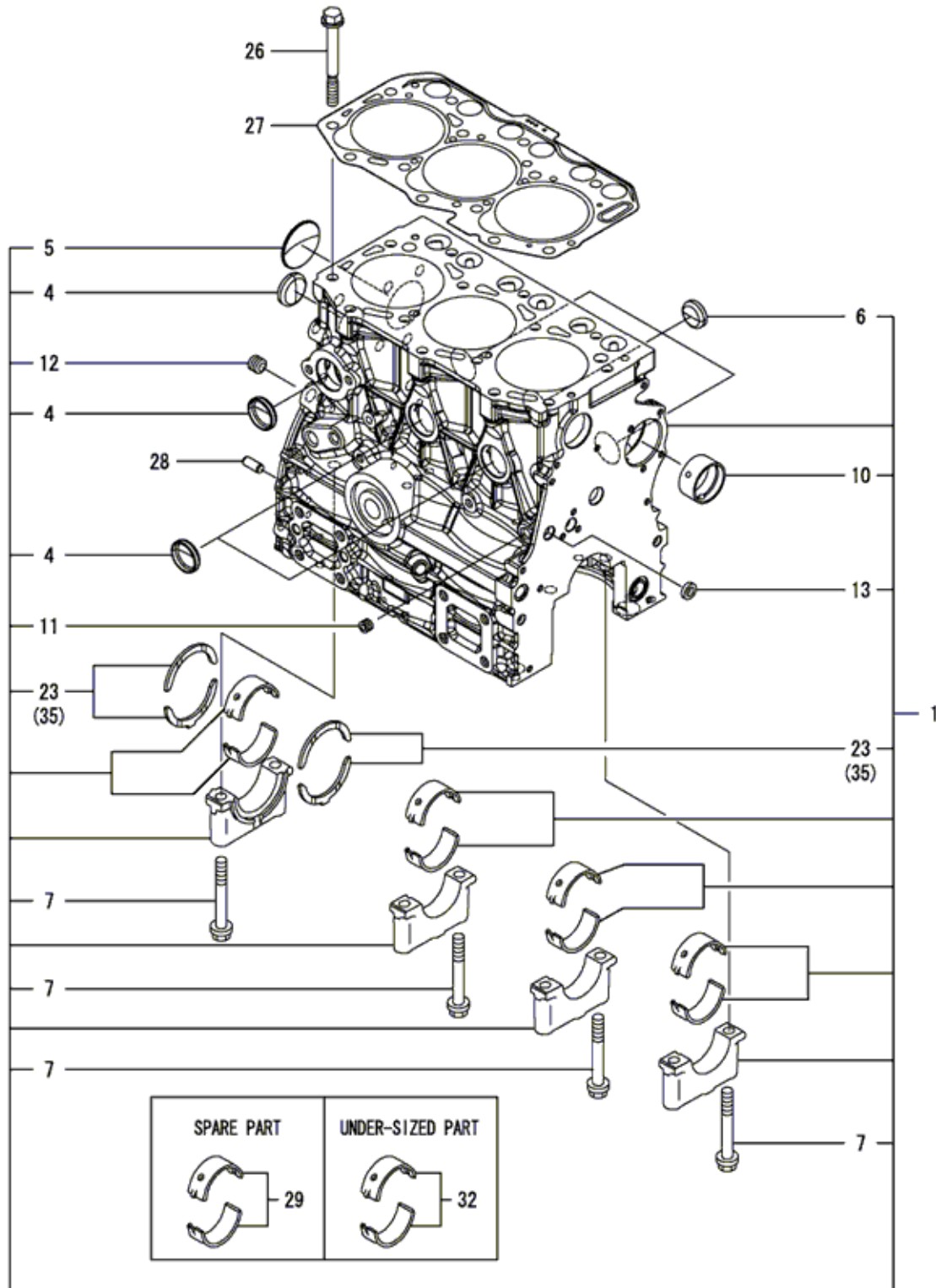
FIG

CYLINDER BLOCK(TS23)

년/월
Year/Month

TS25NCEU

2021-09



NOTE

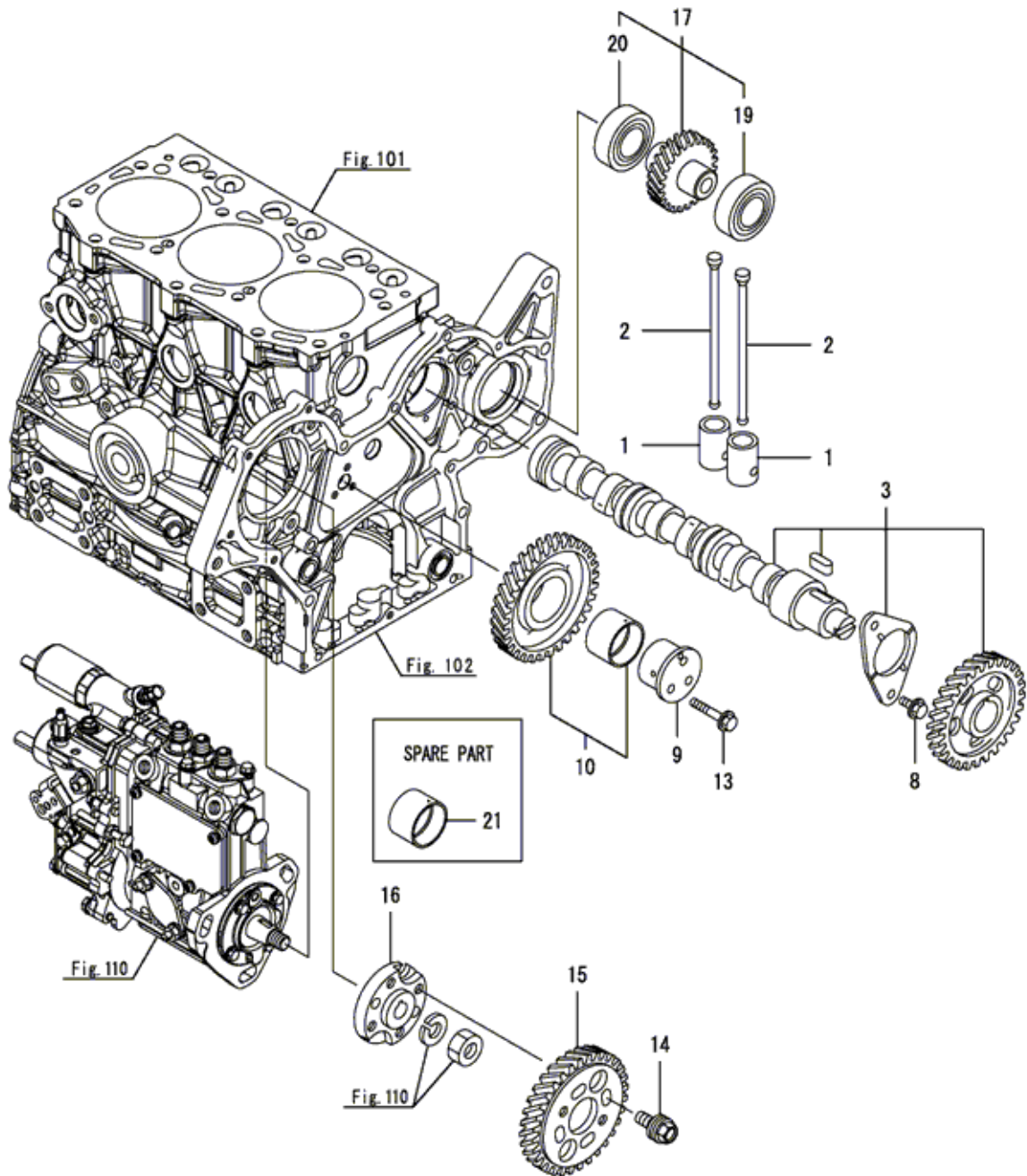
FIG

CAMSHAFT & DRIVING GEAR(TS23)

년/월
Year/Month

TS25NCEU

2021-09



NOTE

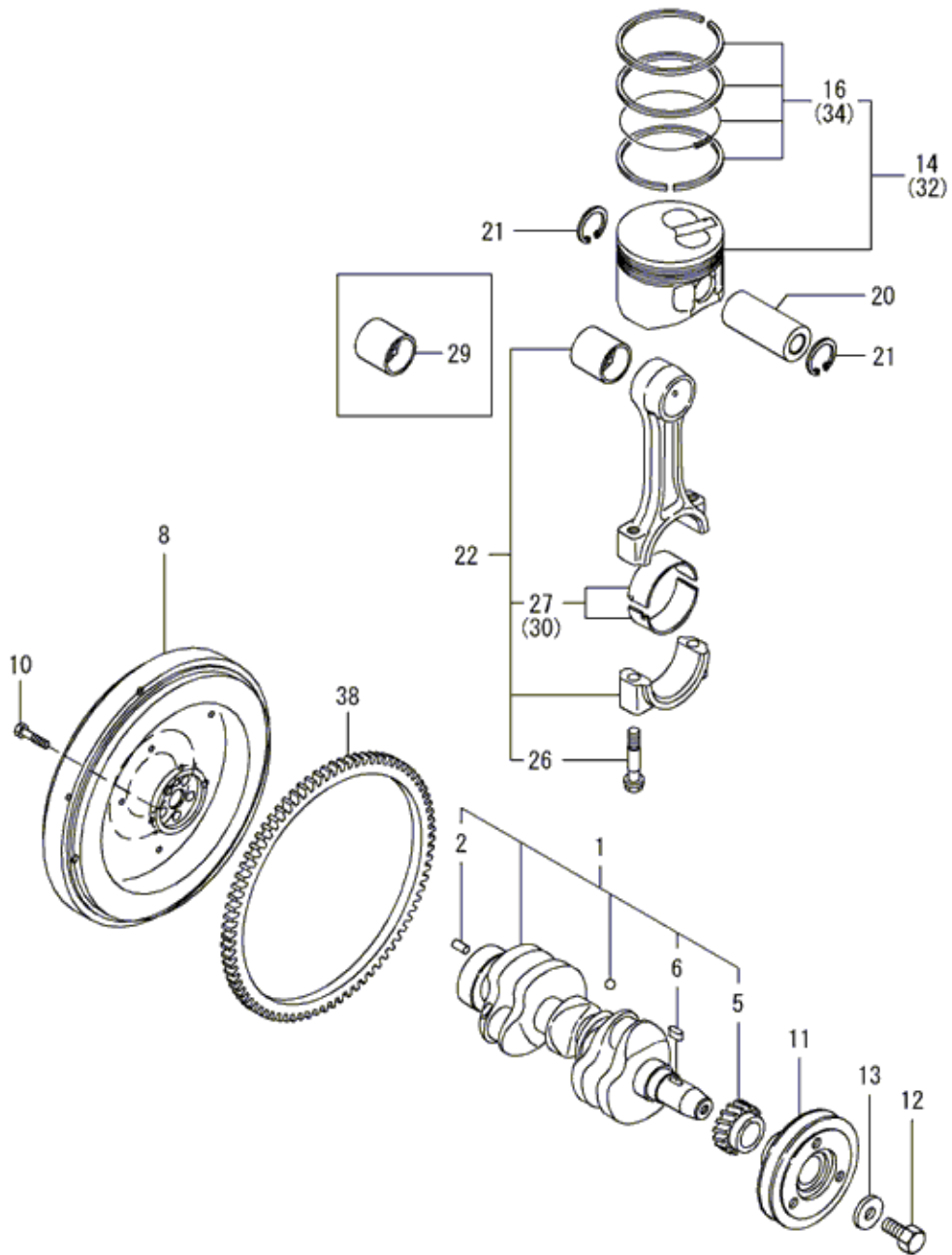
FIG

TS25NCEU

CRANKSHAFT & PISTON(TS25)

년/월
Year/Month

2021-09



NOTE

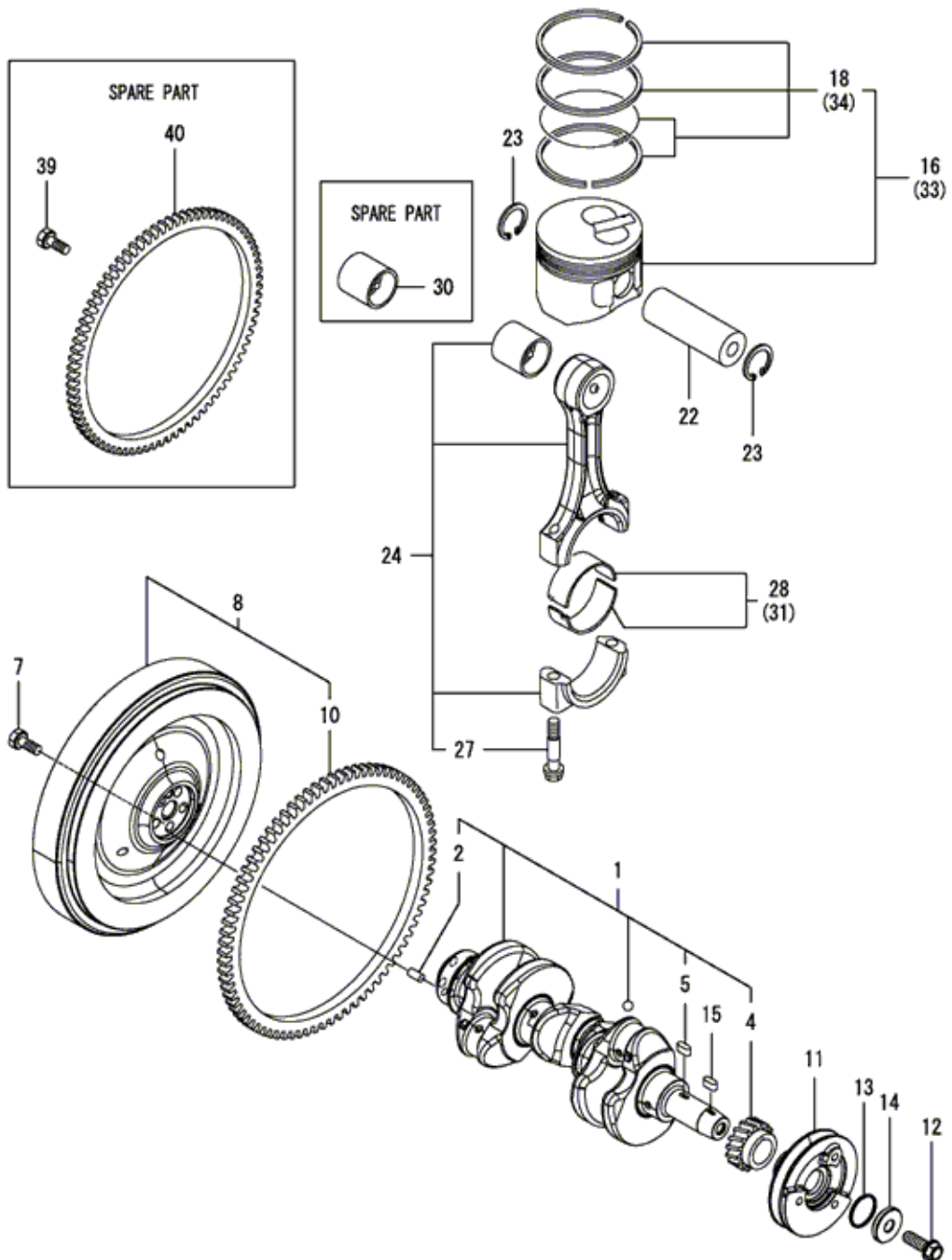
FIG

CRANKSHAFT & PISTON(TS23)

년/월
Year/Month

TS25NCEU

2021-09



NOTE

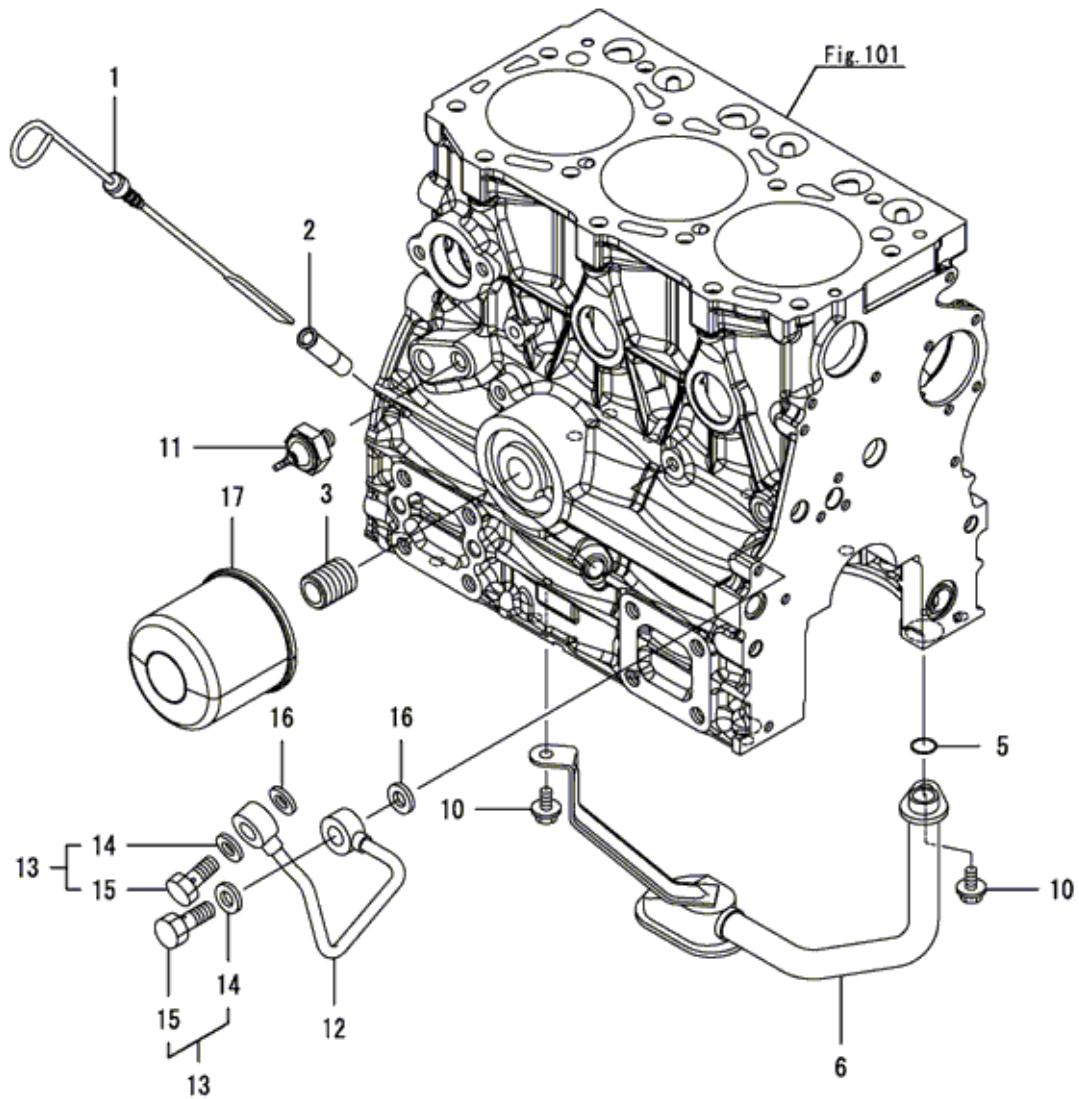
FIG

LUB. OIL SYSTEM

년/월
Year/Month

TS25NCEU

2021-09



NOTE

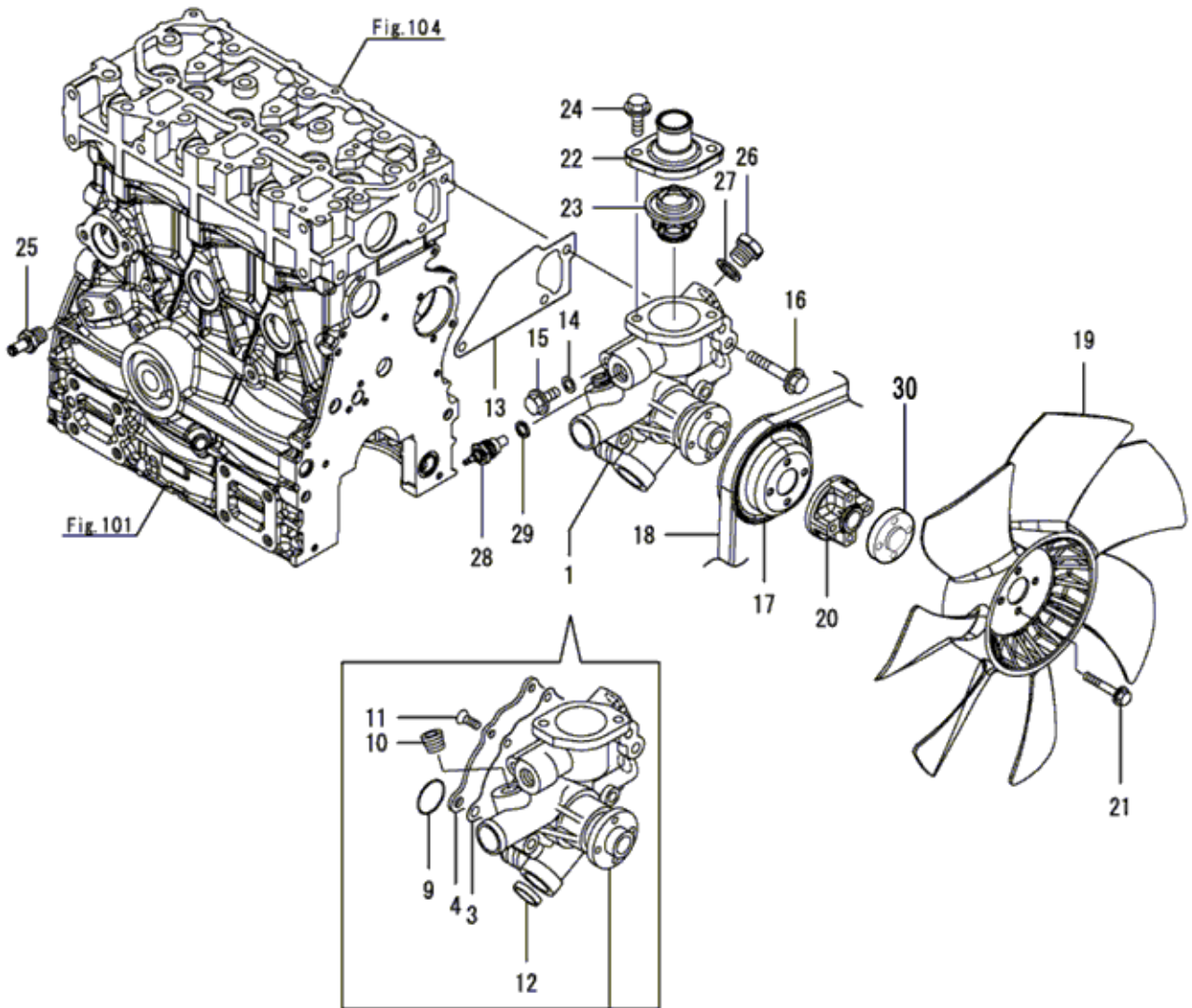
FIG

COOLING WATER SYSTEM

년/월
Year/Month

TS25NCEU

2021-09



NOTE

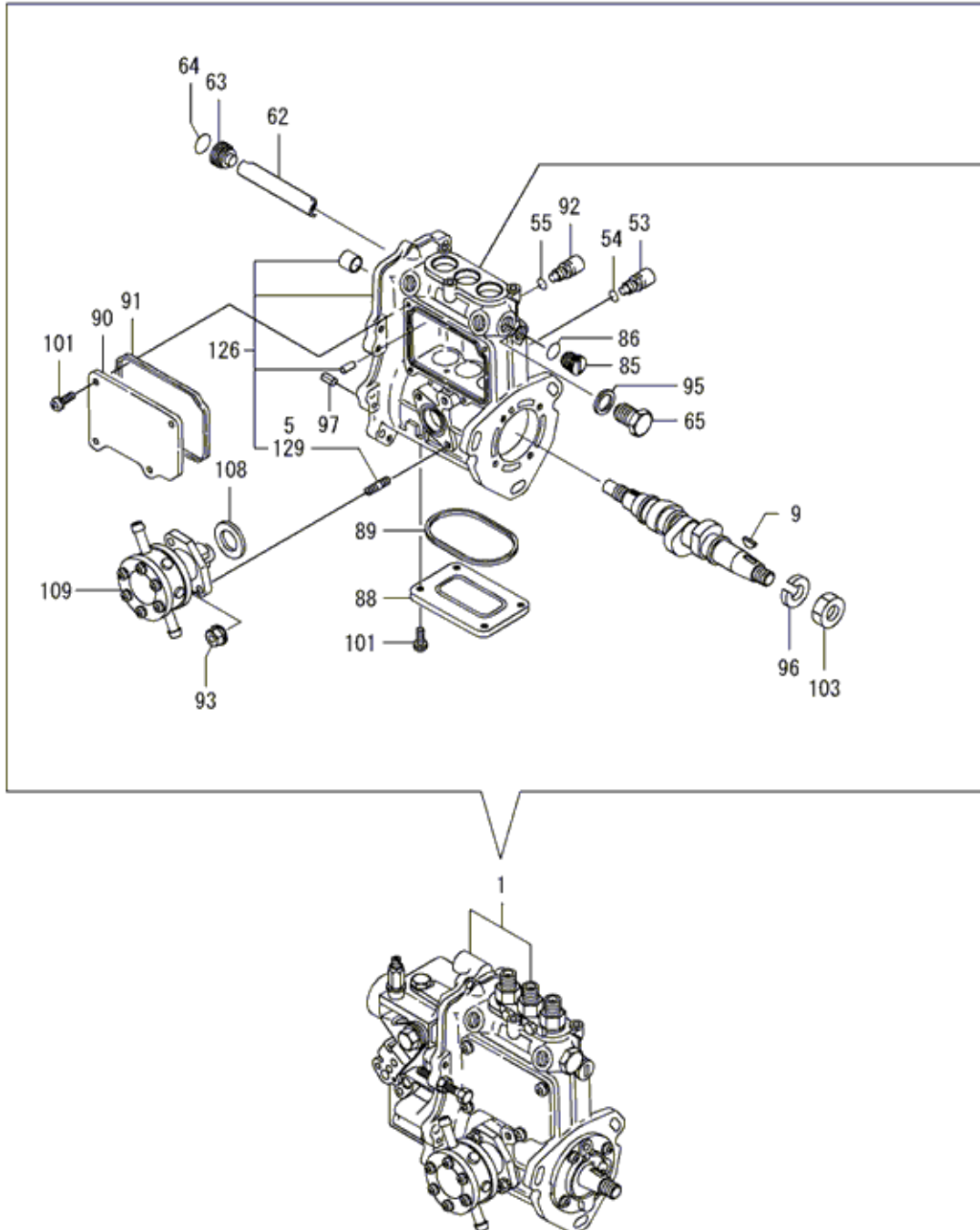
FIG

FUEL INJECTION PUMP(TS25)

년/월
Year/Month

TS25NCEU

2021-09



NOTE

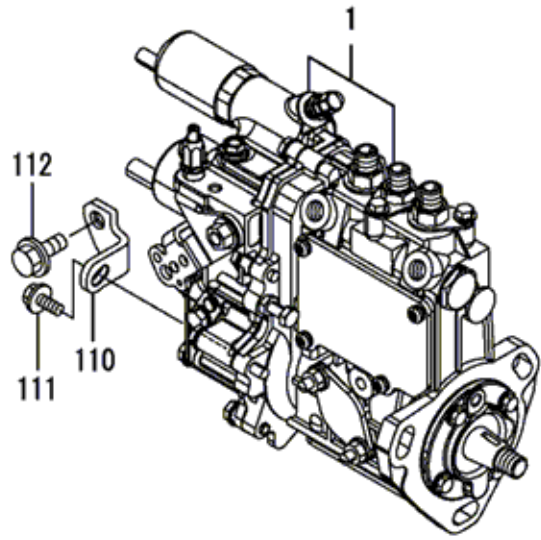
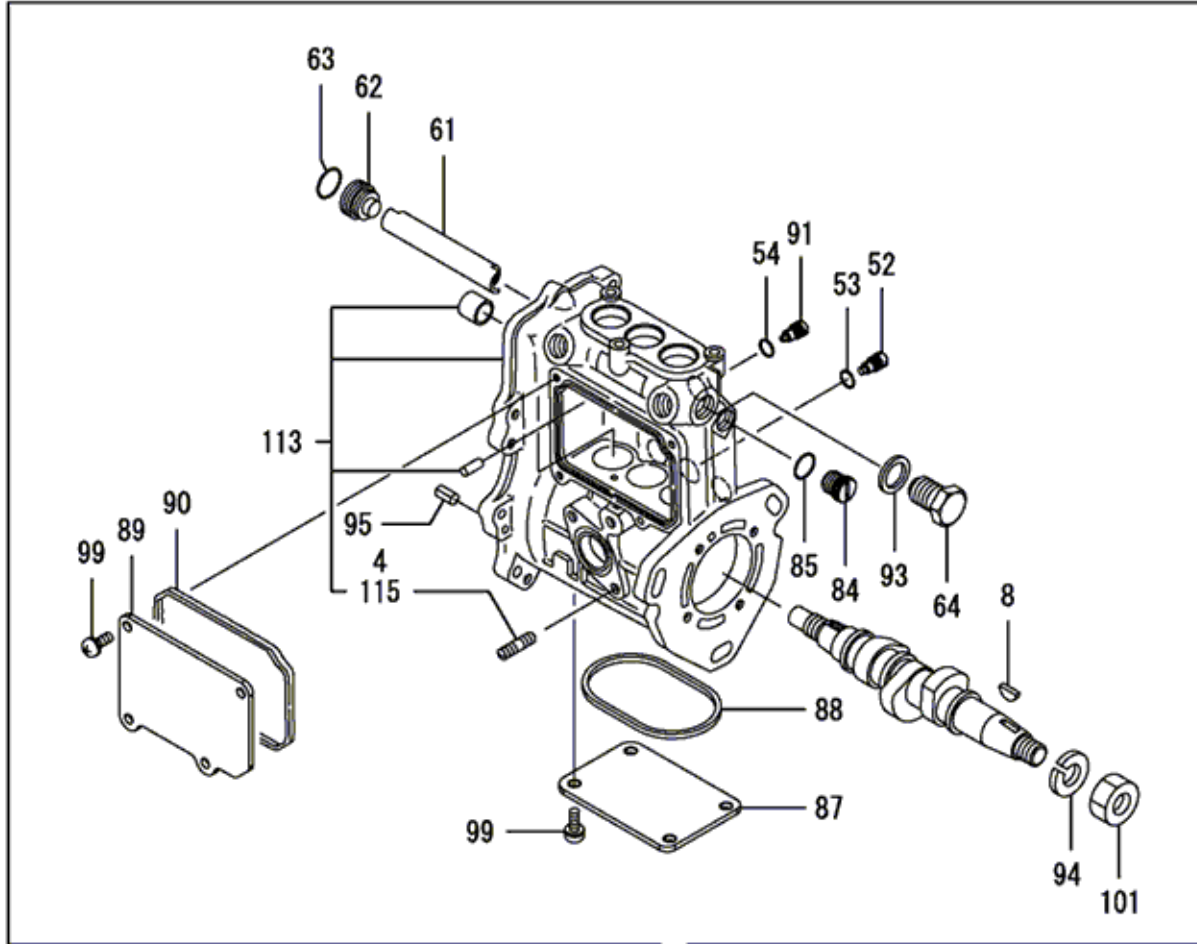
FIG

FUEL INJECTION PUMP(TS23)

년/월
Year/Month

TS25NCEU

2021-09



NOTE

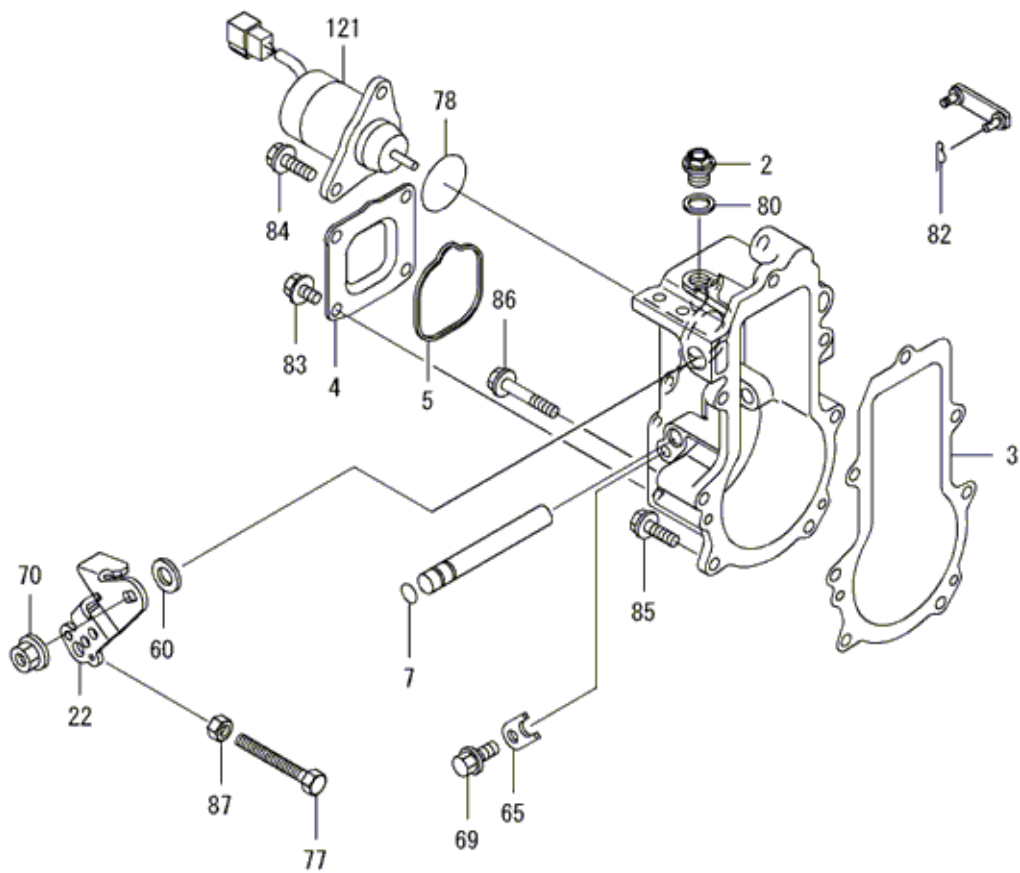
FIG

GOVERNOR(TS25)

년/월
Year/Month

TS25NCEU

2021-09



NOTE

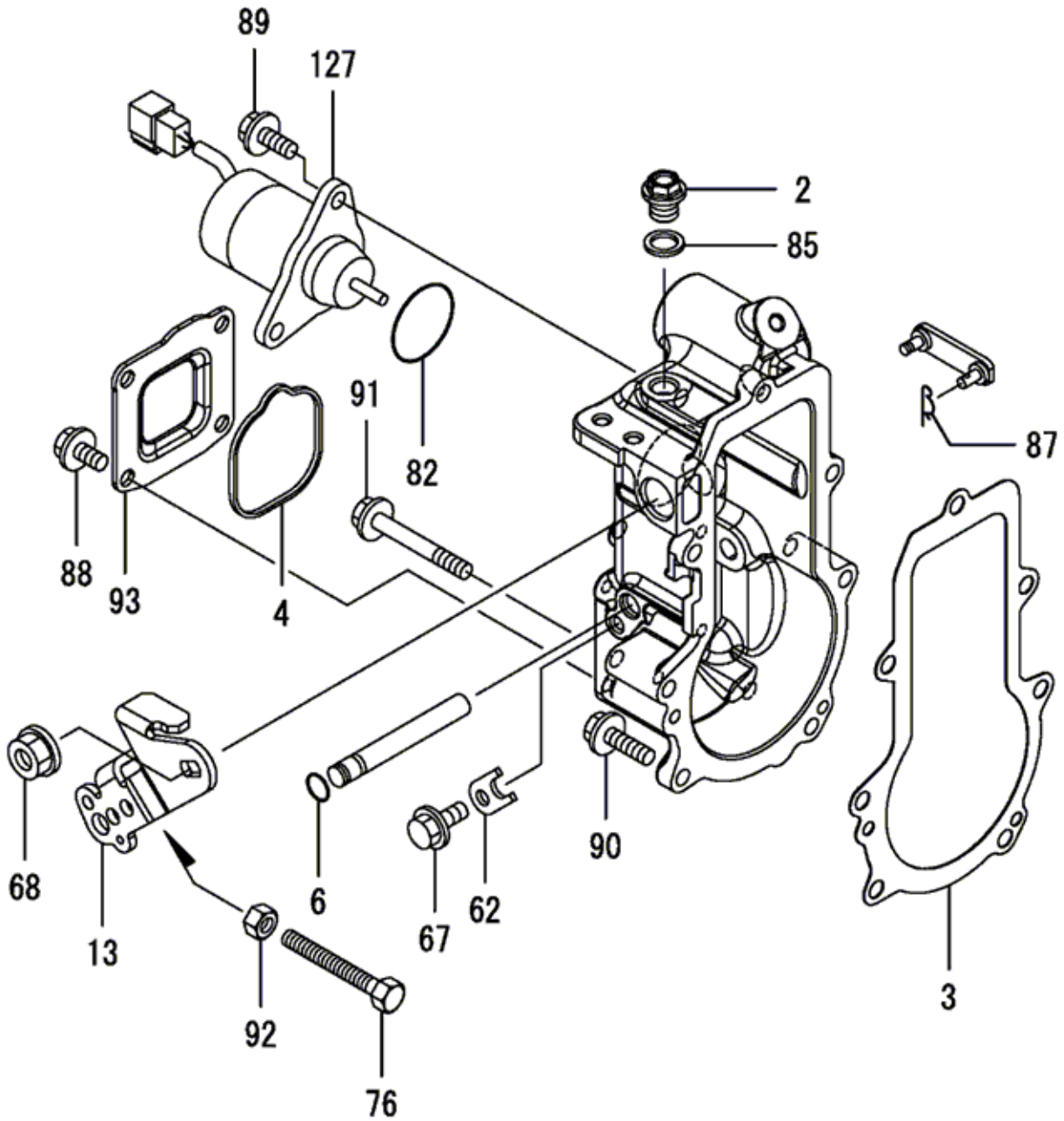
FIG

GOVERNOR(TS23)

년/월
Year/Month

TS25NCEU

2021-09



NOTE

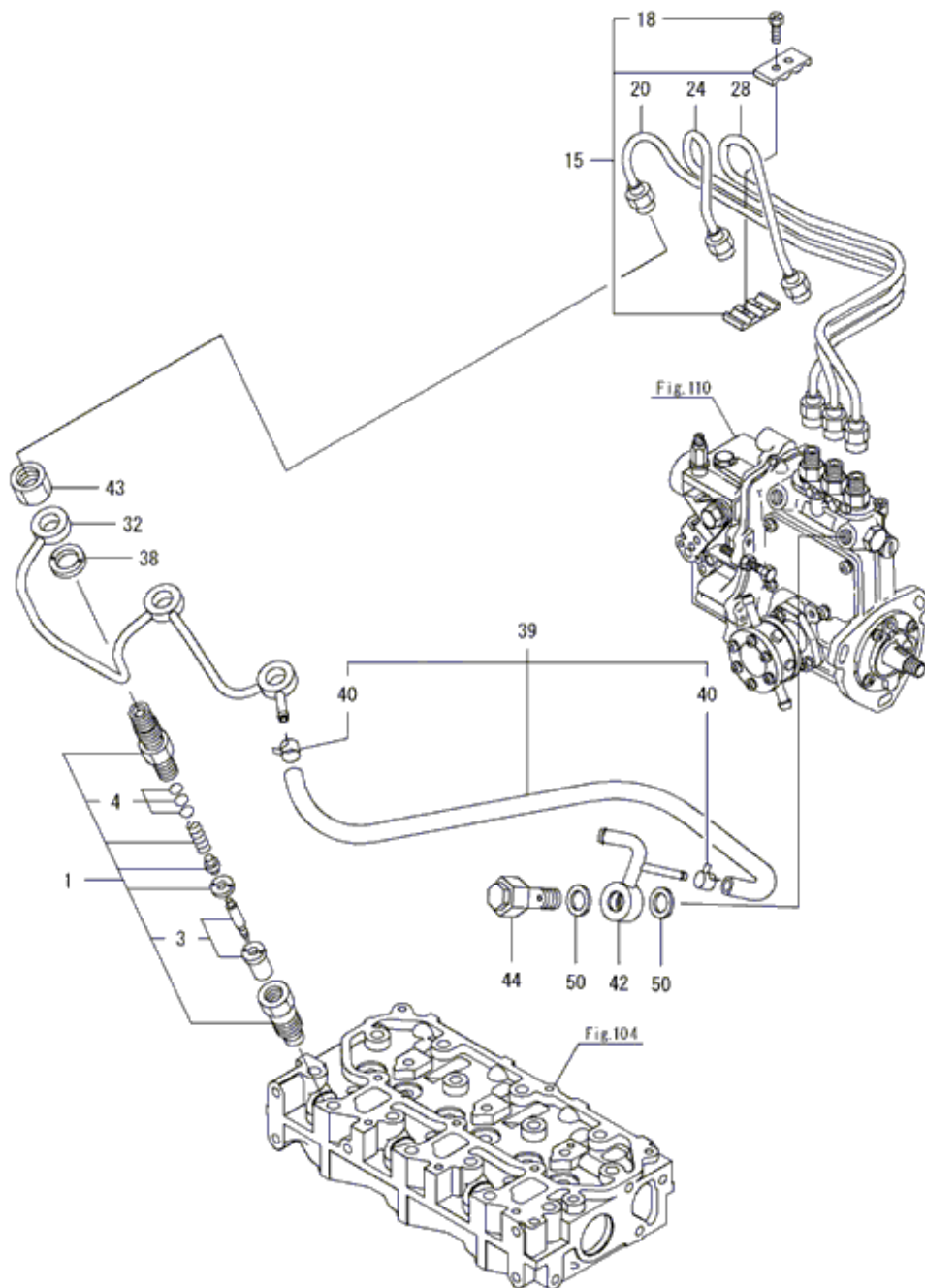
FIG

FUEL INJECTION VALVE(TS25)

년/월
Year/Month

TS25NCEU

2021-09



NOTE

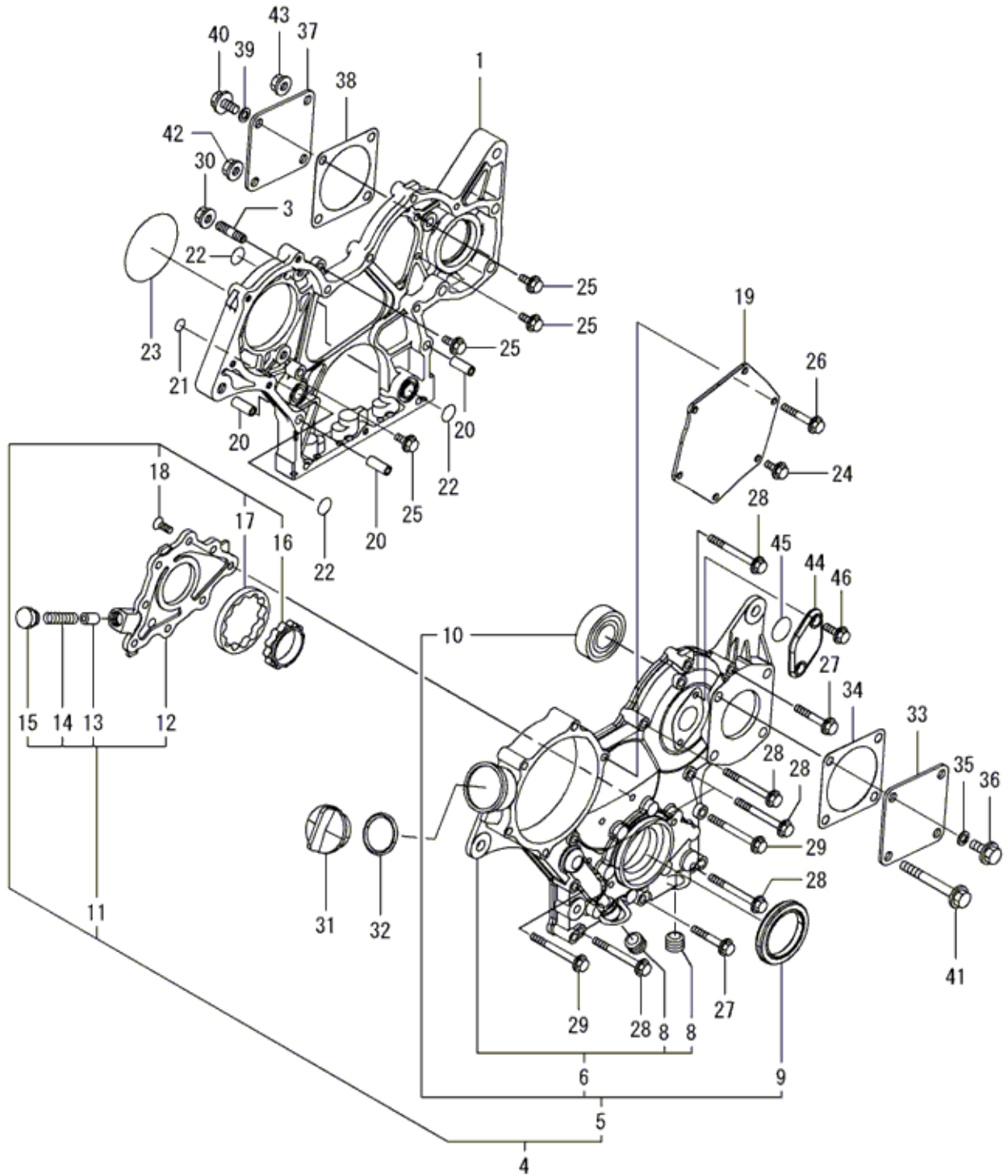
FIG

GEAR HOUSING(TS25)

년/월
Year/Month

TS25NCEU

2021-09



NOTE

FIG TS25NCEU		GEAR HOUSING(TS25)					년/월 Year/Month	
							2021-09	
KEY NO	PART NO	DESCRIPTION	SPEC	QTY	REPAIR	EFFECTIVE DATE	REMARKS	
1	119740-01501	CASE, GEAR		1				
3	119717-01570	STUD		3				
4	119751-01590	COVER?ASSY,GEAR?CASE		1				
5	719751-01500	COVER ASSY,GEAR CASE		1				
6	119751-01521	COVER, GEAR CASE		1				
8	23876-030000	PLUG,?R03		2				
9	119717-01800	SEAL, OIL		1				
10	24101-062024	"BEARING, BALL 6202"		1				
11	119717-32100	COVER?ASSY		1				
12	119717-32080	COVER		1				
13	129900-32130	VALVE, RELIEF		1				
14	129001-32320	SPRING		1				
15	129001-32330	PLUG		1				
16	119717-32110	ROTOR, INNER		1				
17	119717-32120	ROTOR,?OUTER		1				
18	119802-32130	SCREW, M6X16		8				
19	119717-01750	COVER		1				
20	119660-01911	PIPE,?KNOCK		4				
21	119624-32040	O-RING, P12.0		1				
22	119717-32050	O-RING, P17.0		3				
23	121850-51960	O-RING		1				
24	26106-060122	BOLT, M6X 12 PLATED		1				
25	26106-060162	BOLT, M6X 16 PLATED		4				
26	26106-060402	BOLT,?M6X?40?PLATED		4				
27	26106-060402	BOLT, M6X 40 PLATED		2				
28	26106-060602	BOLT, M6X 60 PLATED		7				
29	26106-060652	BOLT,?M6X?65?PLATED		2				
30	26306-080002	NUT, M8		3				
31	124160-01751	COVER, FILLER		1				
32	24311-000320	"O-RING, 1AP32.0"		1				
33	124240-01871	COVER		1				
34	129C26-01890	GASKET, HO-P		1				
35	22190-080002	WASHER,?SEAL ?8		1				
36	26106-080122	BOLT, M8X 12 PLATED		1				
37	124240-01871	COVER		1				
38	129C26-01890	GASKET,?HO-P		1				
39	22190-080002	WASHER, SEAL 8		1				
40	26106-080142	BOLT, M8X 14 PLATED		1				
41	26106-080702	BOLT,?M8X?70?PLATED		3				
42	26306-080002	NUT, M8		1				
43	26306-080002	NUT, M8		2				
44	121023-01551	COVER		1				
45	24341-000240	O-RING, 1AS24.0		1				
46	26106-060162	BOLT, M6X 16 PLATED		2				
NOTE								

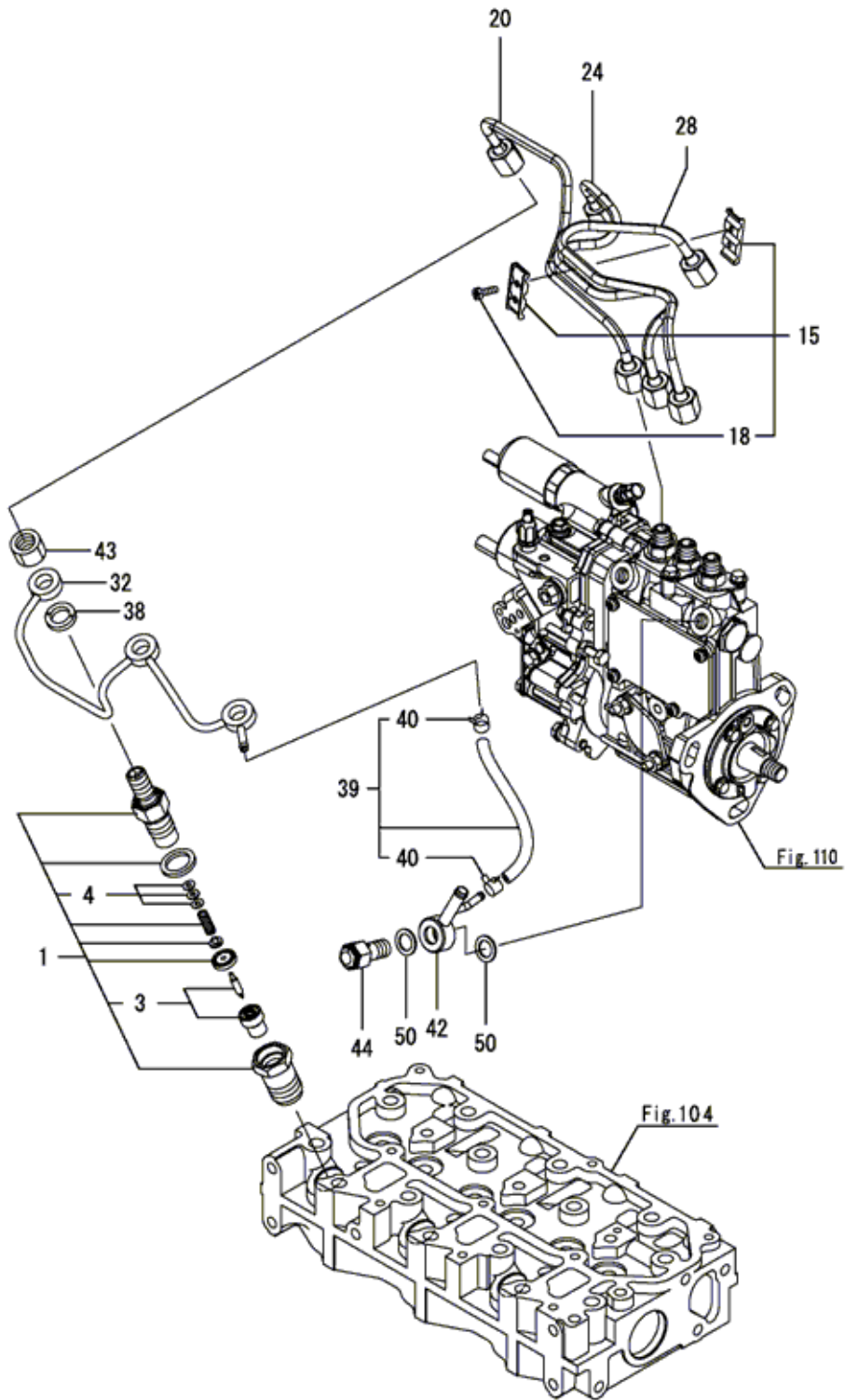
FIG

TS25NCEU

FUEL INJECTION VALVE(TS23)

년/월
Year/Month

2021-09



NOTE

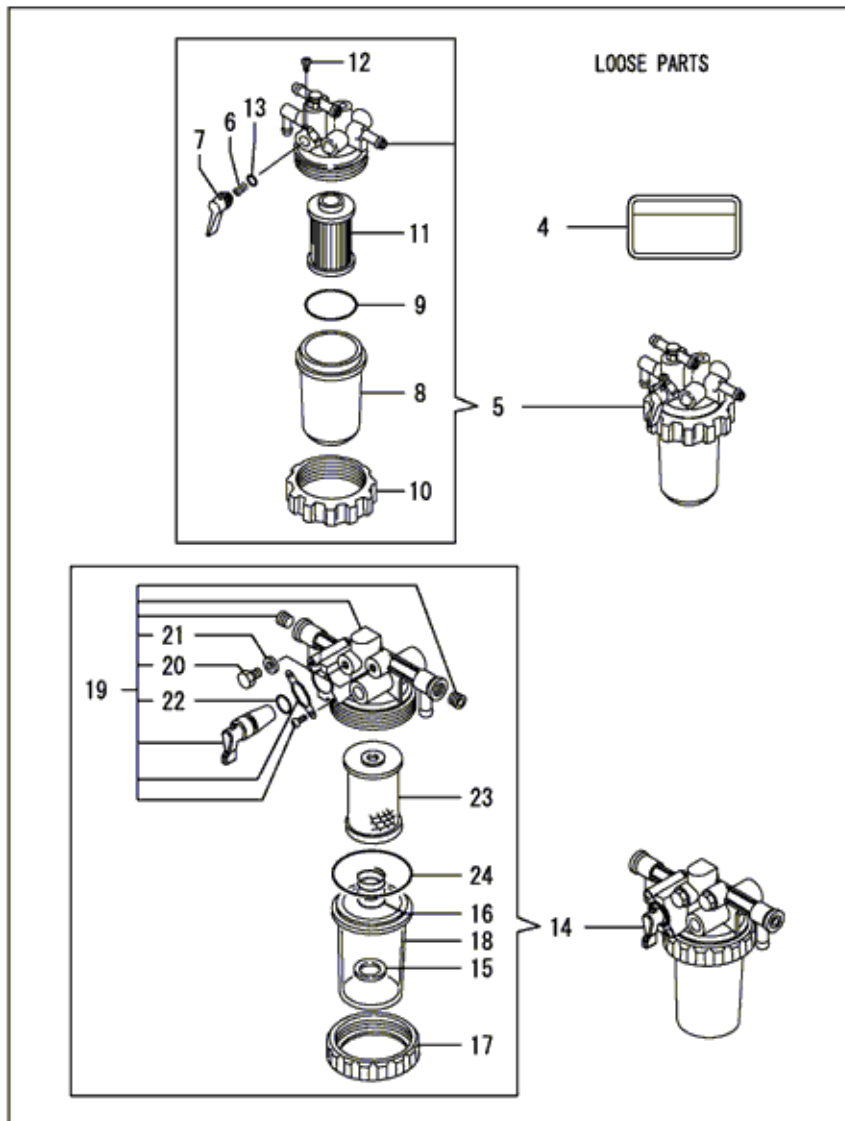
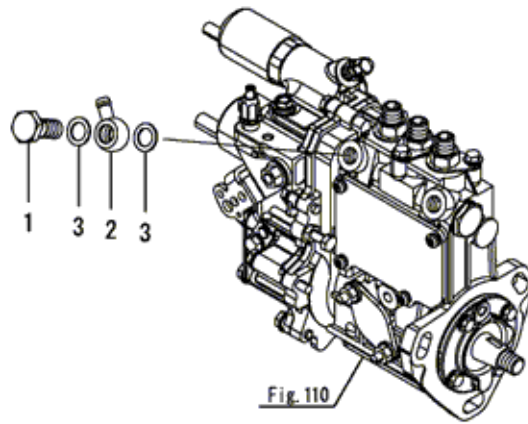
FIG

TS25NCEU

FUEL FILTER

년/월
Year/Month

2021-09



NOTE

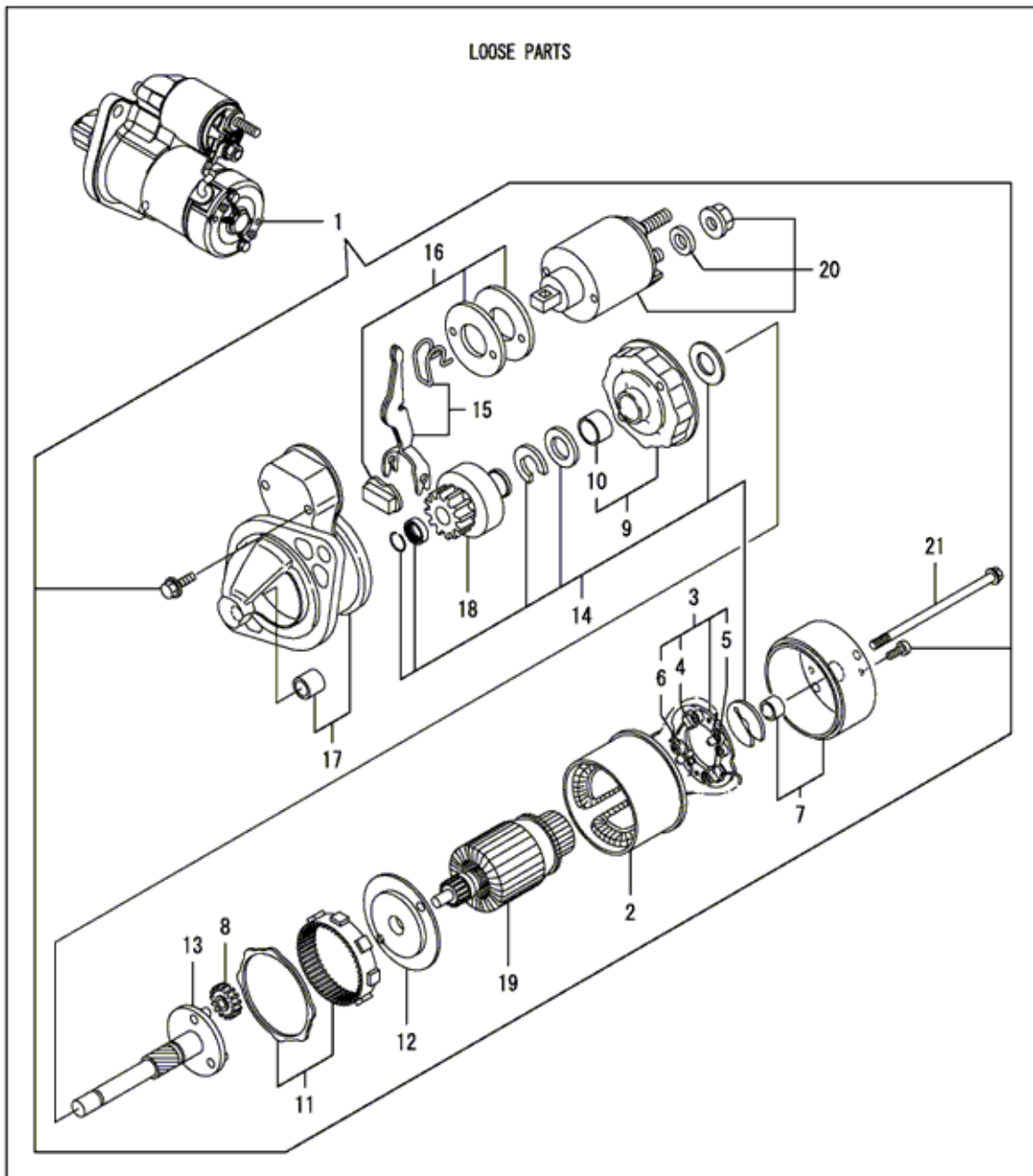
FIG

STARTING MOTOR

년/월
Year/Month

TS25NCEU

2021-09



NOTE

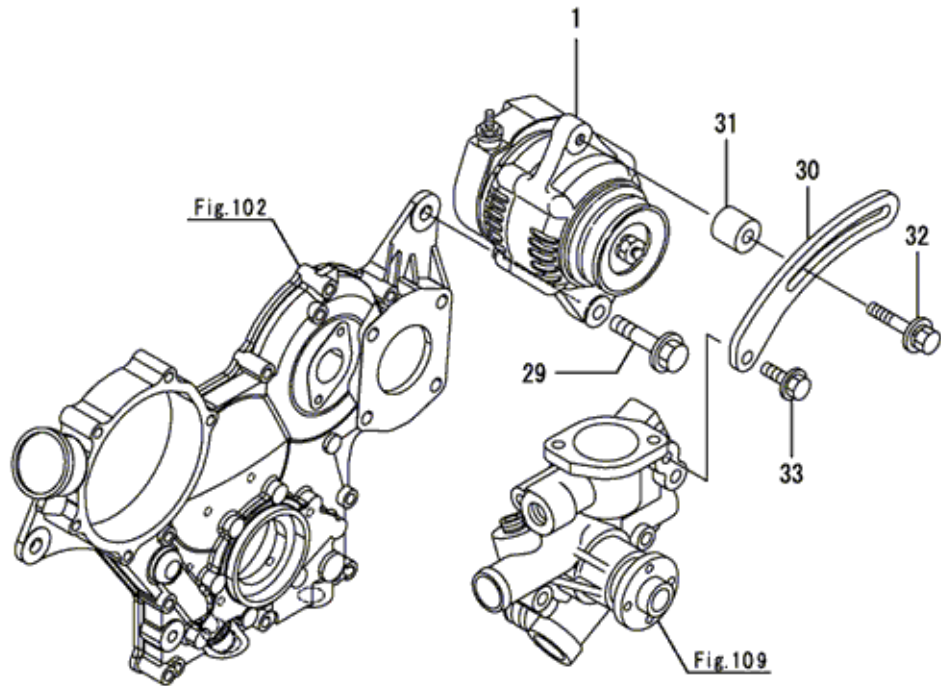
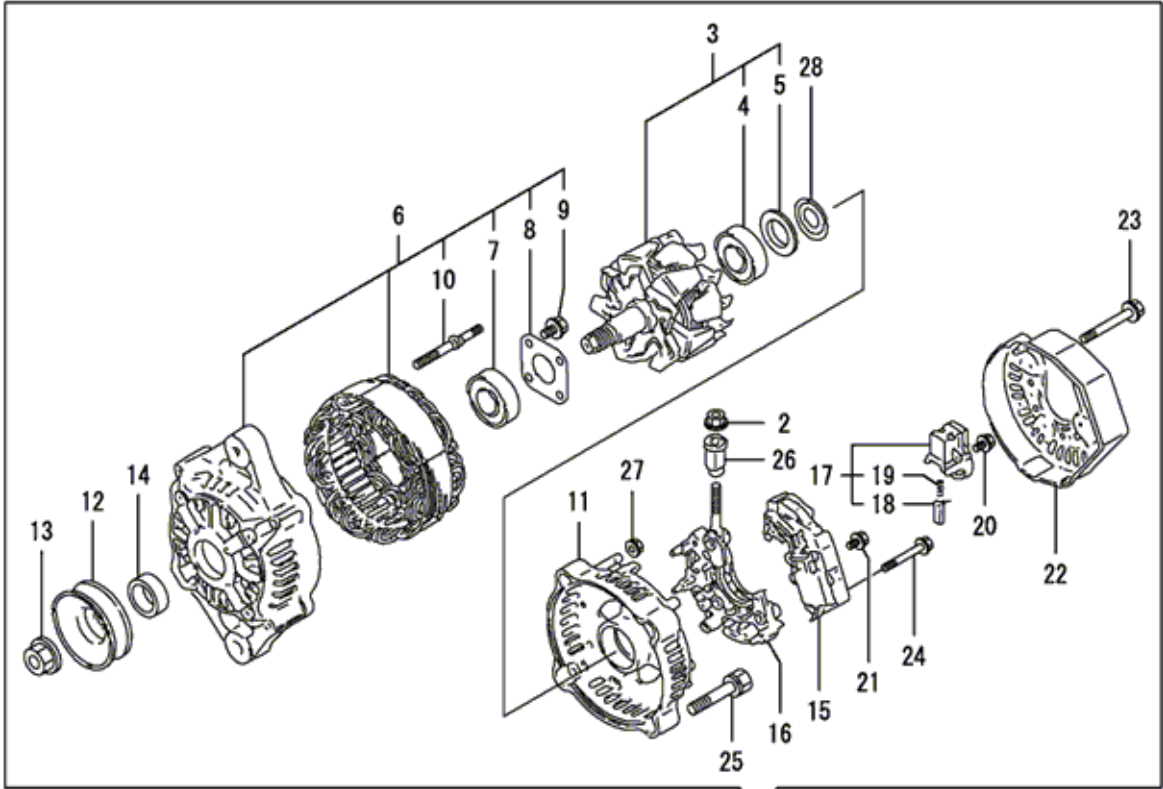
FIG

GENERATOR

년/월
Year/Month

TS25NCEU

2021-09



NOTE

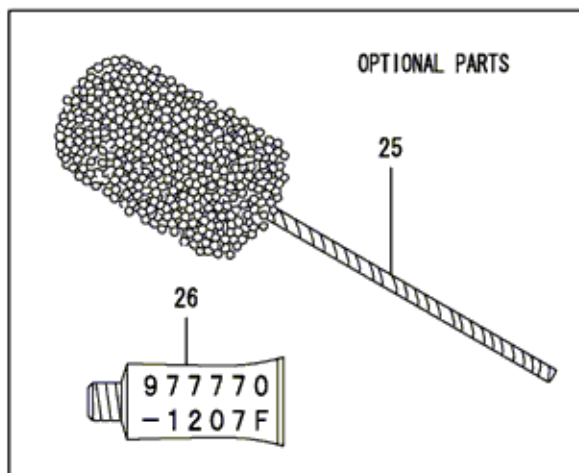
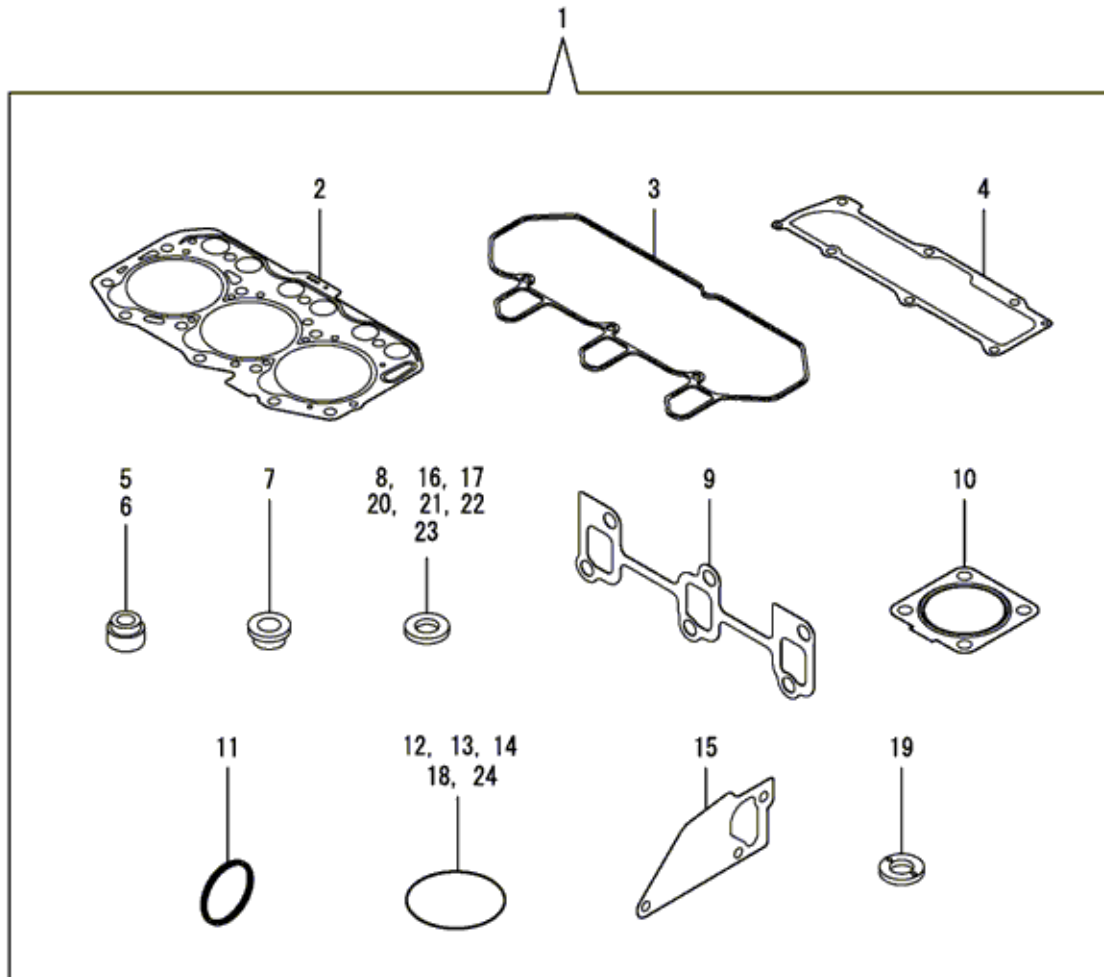
FIG

TS25NCEU

GASKET SET

년/월
Year/Month

2021-09



NOTE

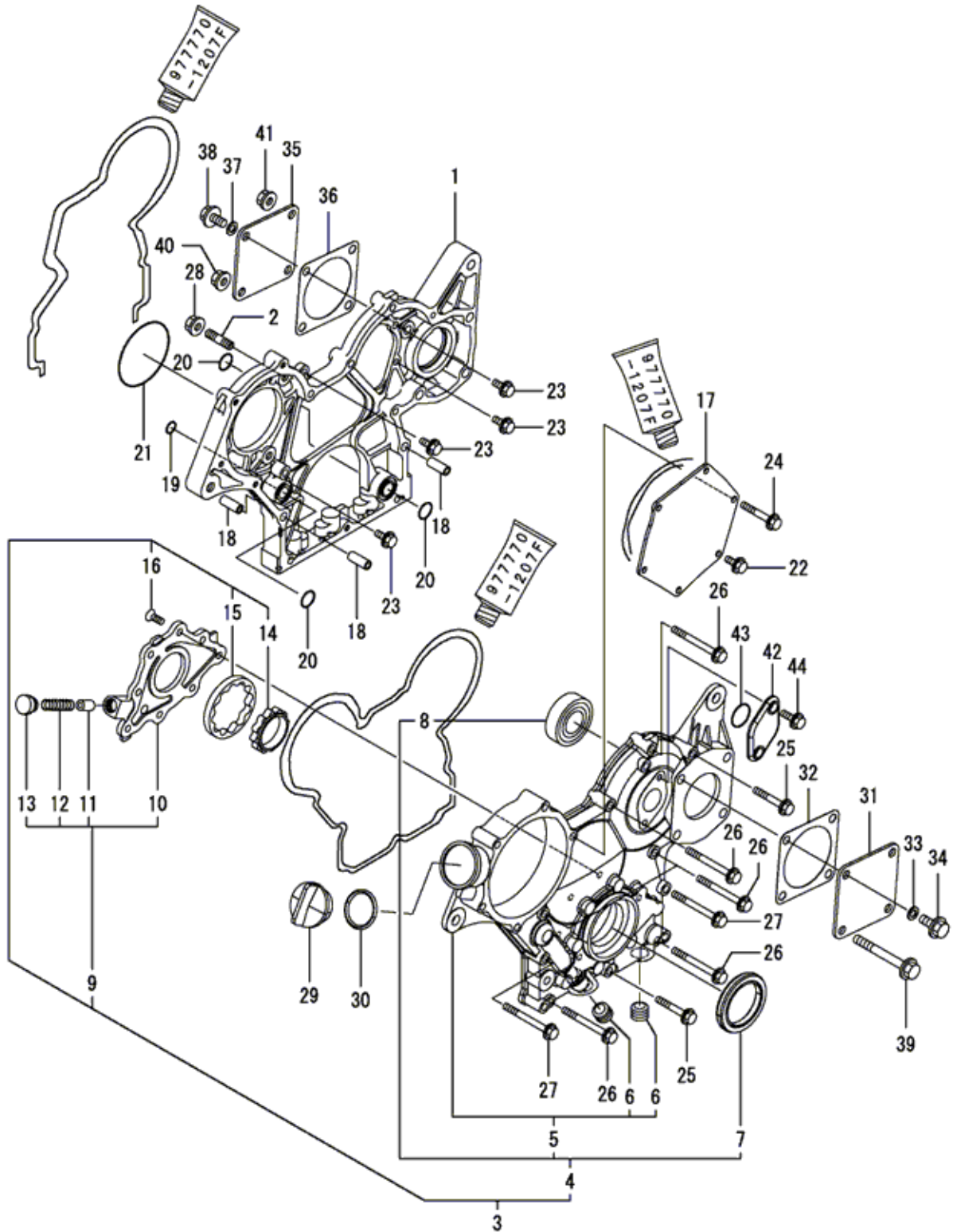
FIG

GEAR HOUSING(TS23)

년/월
Year/Month

TS25NCEU

2021-09



NOTE

FIG TS25NCEU		GEAR HOUSING(TS23)					년/월 Year/Month	
							2021-09	
KEY NO	PART NO	DESCRIPTION	SPEC	QTY	REPAIR	EFFECTIVE DATE	REMARKS	
1	119740-01501	CASE, GEAR		0				
2	119717-01570	STUD		0				
3	119751-01590	COVER ASSY, GEAR CASE		0				
4	719751-01500	COVER ASSY, GEAR CASE		0				
5	119751-01521	COVER, GEAR CASE		0				
6	23876-030000	PLUG, R03		0				
7	119717-01800	SEAL, OIL		0				
8	24101-062024	"BEARING, BALL 6202"		0				
9	119717-32100	COVER ASSY		0				
10	119717-32080	COVER		0				
11	129900-32130	VALVE, RELIEF		0				
12	129001-32320	SPRING		0				
13	129001-32330	PLUG		0				
14	119717-32110	ROTOR, INNER		0				
15	119717-32120	ROTOR, OUTER		0				
16	119802-32130	SCREW, M6X16		0				
17	119717-01750	COVER		0				
18	119660-01911	PIPE, KNOCK		0				
19	119624-32040	O-RING, P12.0		0				
20	119717-32050	O-RING, P17.0		0				
21	121850-51960	O-RING		0				
22	26106-060122	BOLT, M6X12 PLATED		0				
23	26106-060162	BOLT, M6X16 PLATED		0				
24	26106-060402	BOLT, M6X40 PLATED		0				
25	26106-060402	BOLT, M6X40 PLATED		0				
26	26106-060602	BOLT, M6X60 PLATED		0				
27	26106-060652	BOLT, M6X65 PLATED		0				
28	26306-080002	NUT, M8		0				
29	124160-01751	COVER, FILLER		0				
30	24311-000320	"O-RING, 1AP32.0"		0				
31	124240-01871	COVER		0				
32	129C26-01890	GASKET, HO-P		0				
33	22190-080002	WASHER, SEAL 8		0				
34	26106-080122	BOLT, M8X12 PLATED		0				
35	124240-01871	COVER		0				
36	129C26-01890	GASKET, HO-P		0				
37	22190-080002	WASHER, SEAL 8		0				
38	26106-080142	BOLT, M8X14 PLATED		0				
39	26106-080702	BOLT, M8X70 PLATED		0				
40	26306-080002	NUT, M8		0				
41	26306-080002	NUT, M8		0				
42	121023-01551	COVER		0				
43	24341-000240	O-RING, 1AS24.0		0				
44	26106-060162	BOLT, M6X16 PLATED		0				
NOTE								

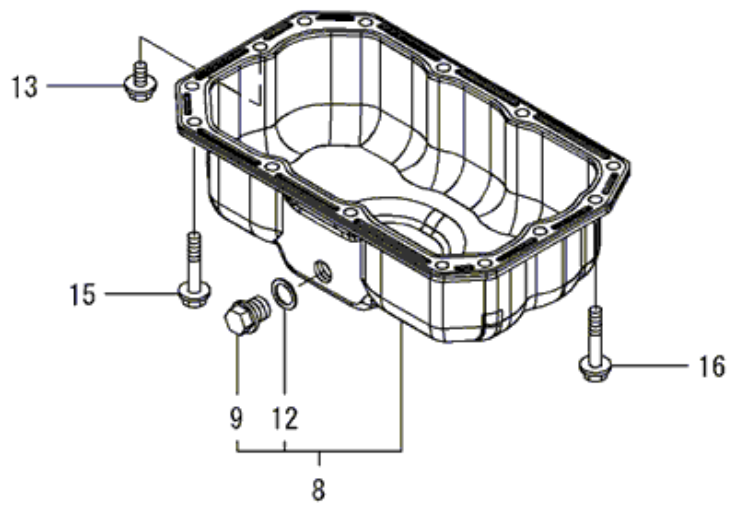
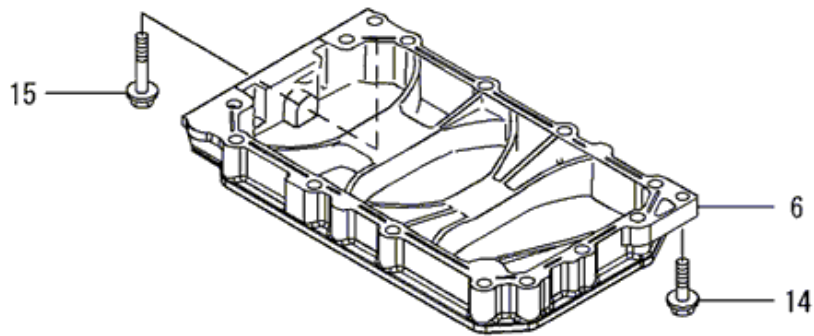
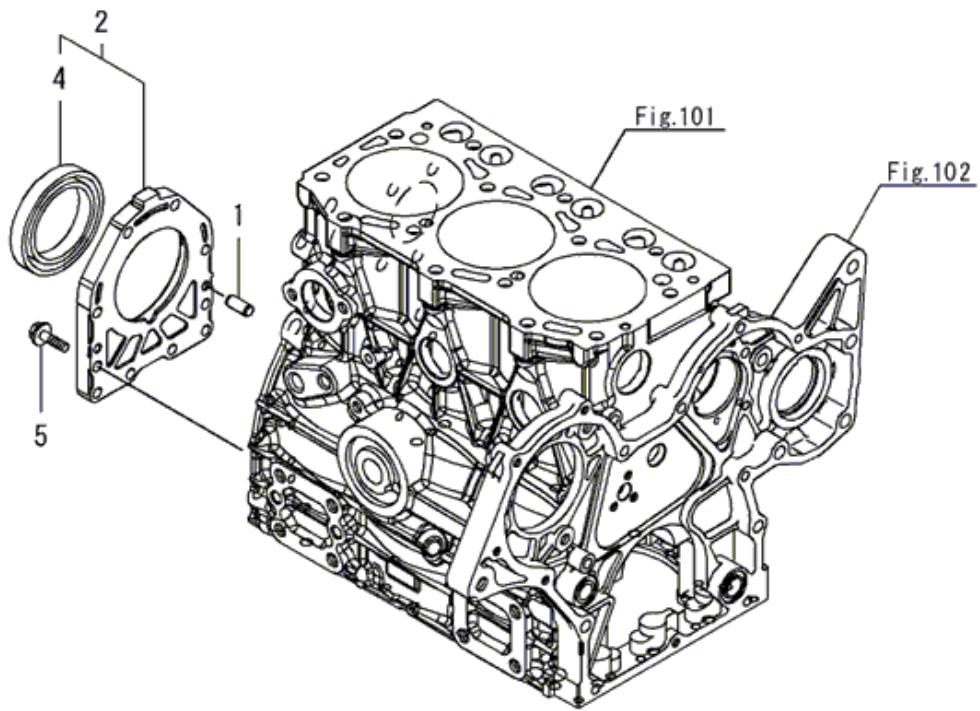
FIG

OIL SUMP(TS25)

년/월
Year/Month

TS25NCEU

2021-09



NOTE

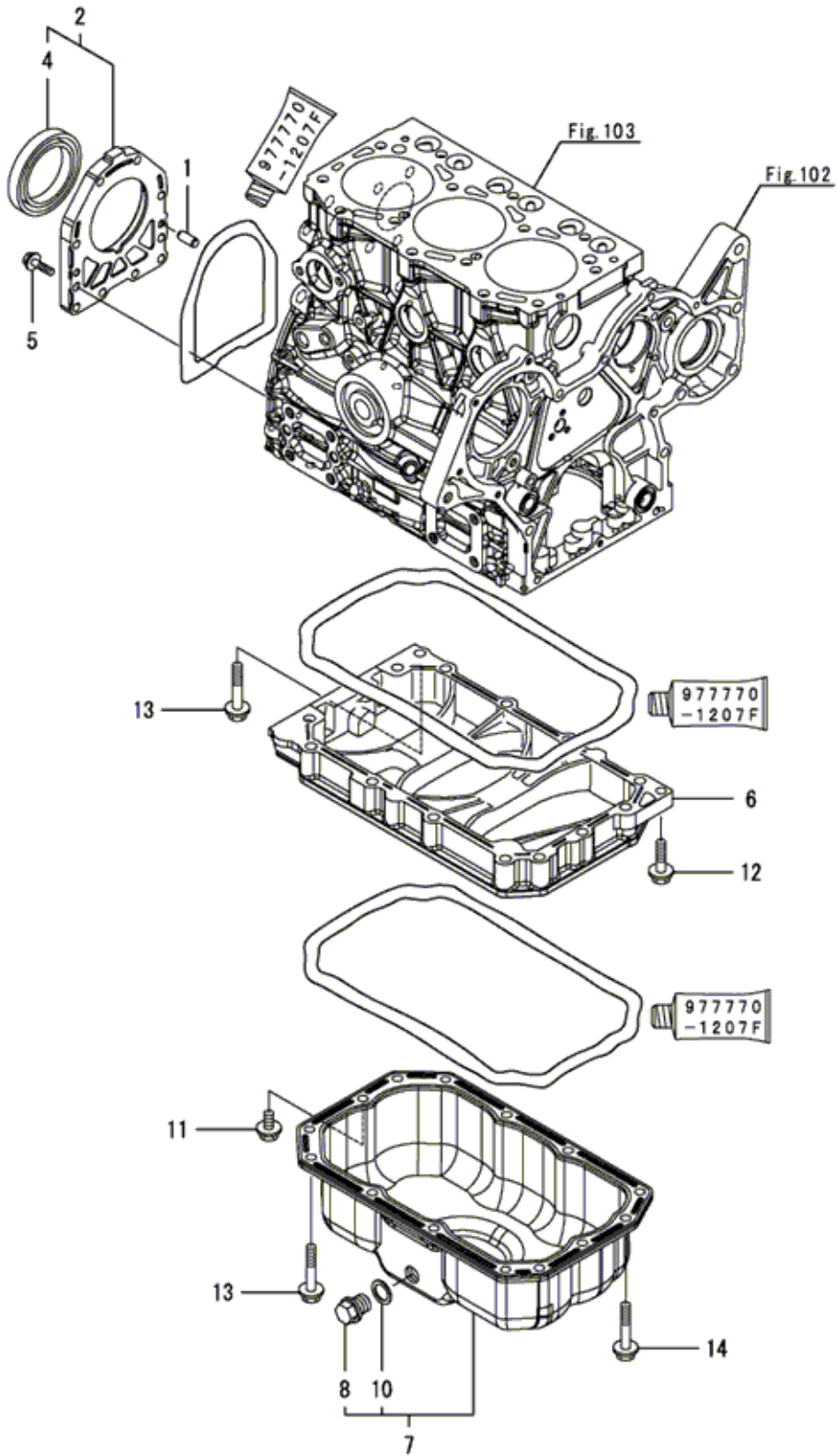
FIG

OIL SUMP(TS23)

년/월
Year/Month

TS25NCEU

2021-09



NOTE

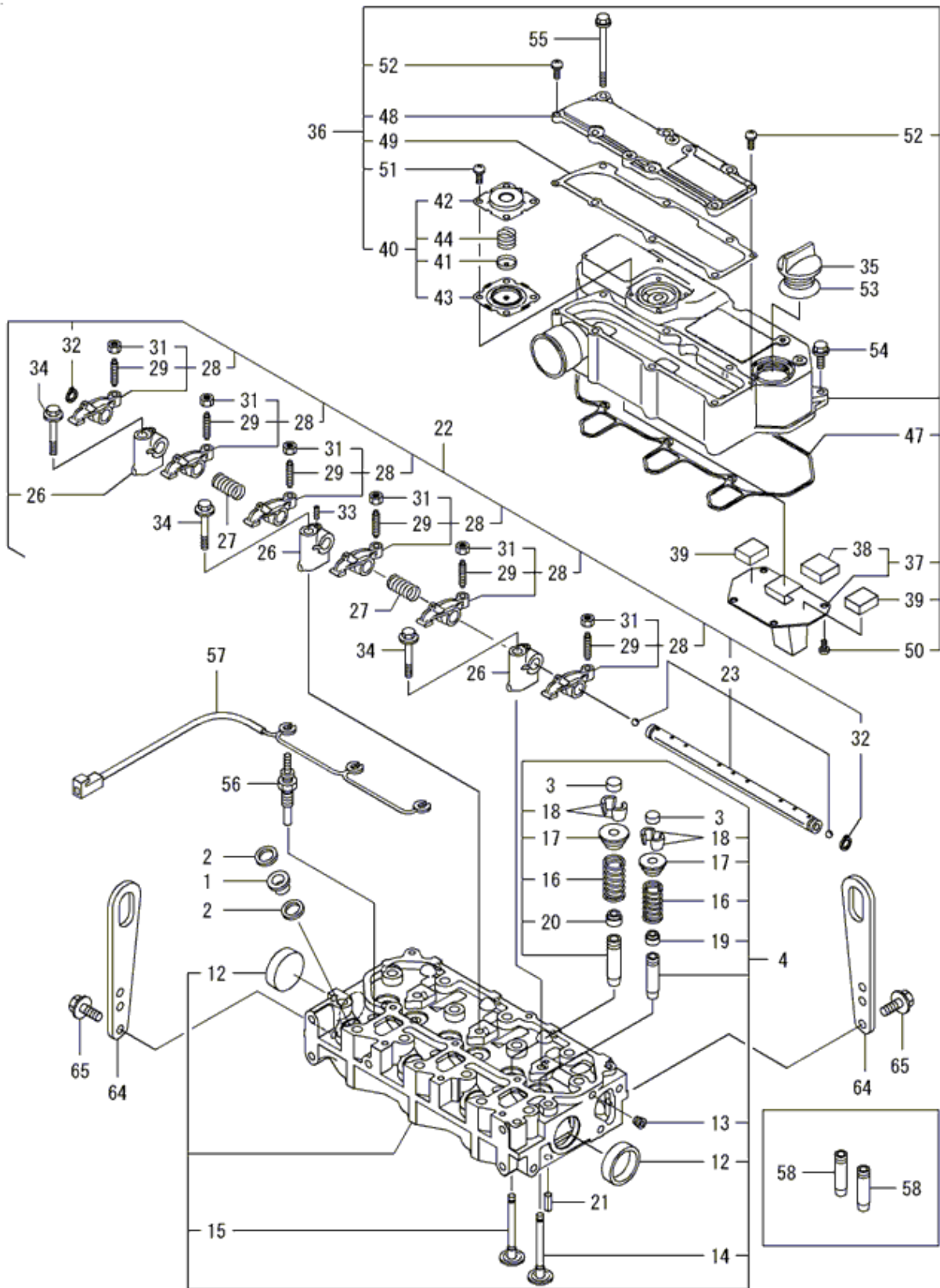
FIG

CYLINDER HEAD & BONNET(TS25)

년/월
Year/Month

TS25NCEU

2021-09



NOTE

FIG TS25NCEU		CYLINDER HEAD & BONNET(TS25)					년/월 Year/Month	
							2021-09	
KEY NO	PART NO	DESCRIPTION	SPEC	QTY	REPAIR	EFFECTIVE DATE	REMARKS	
1	129901-11450	PROTECTOR, NOZZLE		3				
2	119600-11460	GASKET, NOZZLE		6				
3	105010-11490	CAP, VALVE		6				
4	119717-11740	HEAD ASSY, CYLINDER		1				
12	119285-11990	PLUG, 35		2				
13	23876-005000	PLUG, R005		1				
14	119717-11101	VALVE, INTAKE		3				
15	119717-11110	VALVE, EXHAUST		3				
16	119717-11131	SPRING, VALVE		6				
17	129508-11180	RETAINER, SPRING		6				
18	119717-11190	COTTER		12				
19	119717-11340	SEAL, VALVE STEM		3				
20	119717-11350	SEAL, VALVE STEM		3				
21	22351-060012	"PIN, SPRING 6.0X12"		2				
22	119717-11200	SUPPORT ASSY, ARM		1				
23	119717-11240	SHAFT ASSY, ROCKER		1				
26	119717-11260	SUPPORT, ROCKER ARM		3				
27	119620-11280	SPRING		2				
28	119717-11650	ARM, ROCKER		6				
29	129150-11230	SCREW, VALVE ADJUST		6				
31	129150-11750	NUT, M8		6				
32	22242-000120	RING, 12		2				
33	26979-050162	SCREW, M5X16		1				
34	26106-080402	BOLT, M8X 40 PLATED		3				
35	124160-01751	COVER, FILLER		1				
36	119717-11381	BONNET ASSY, HEAD		1				
37	119717-03031	PLATE		1				
38	119717-03070	BAFFLE, BREATHER		1				
39	119717-03070	BAFFLE, BREATHER		2				
40	119802-03100	DIAPHRAGM ASSY		1				
41	119802-03110	PLATE		1				
42	119802-03121	COVER, DIAPHRAGM		1				
43	119802-03131	DIAPHRAGM		1				
44	119802-03141	SPRING, DIAPHRAGM		1				
47	119718-11310	GASKET, BONNET		1				
48	119717-11320	COVER, BONNET		1				
49	119717-11331	GASKET		1				
50	22857-500100	SCREW, 5X10		4				
51	22857-500100	SCREW, 5X10		4				
52	22857-500160	SCREW, 5X16		2				
53	24311-000320	"O-RING, 1AP32.0"		1				
54	26106-060202	BOLT, M6X20 PLATED		3				
55	26106-060752	BOLT, M6X75 PLATED		6				
56	119717-77801	PLUG, GLOW		3				
57	119717-77820	CONNECTOR, GLOW PLUG		1				
NOTE								

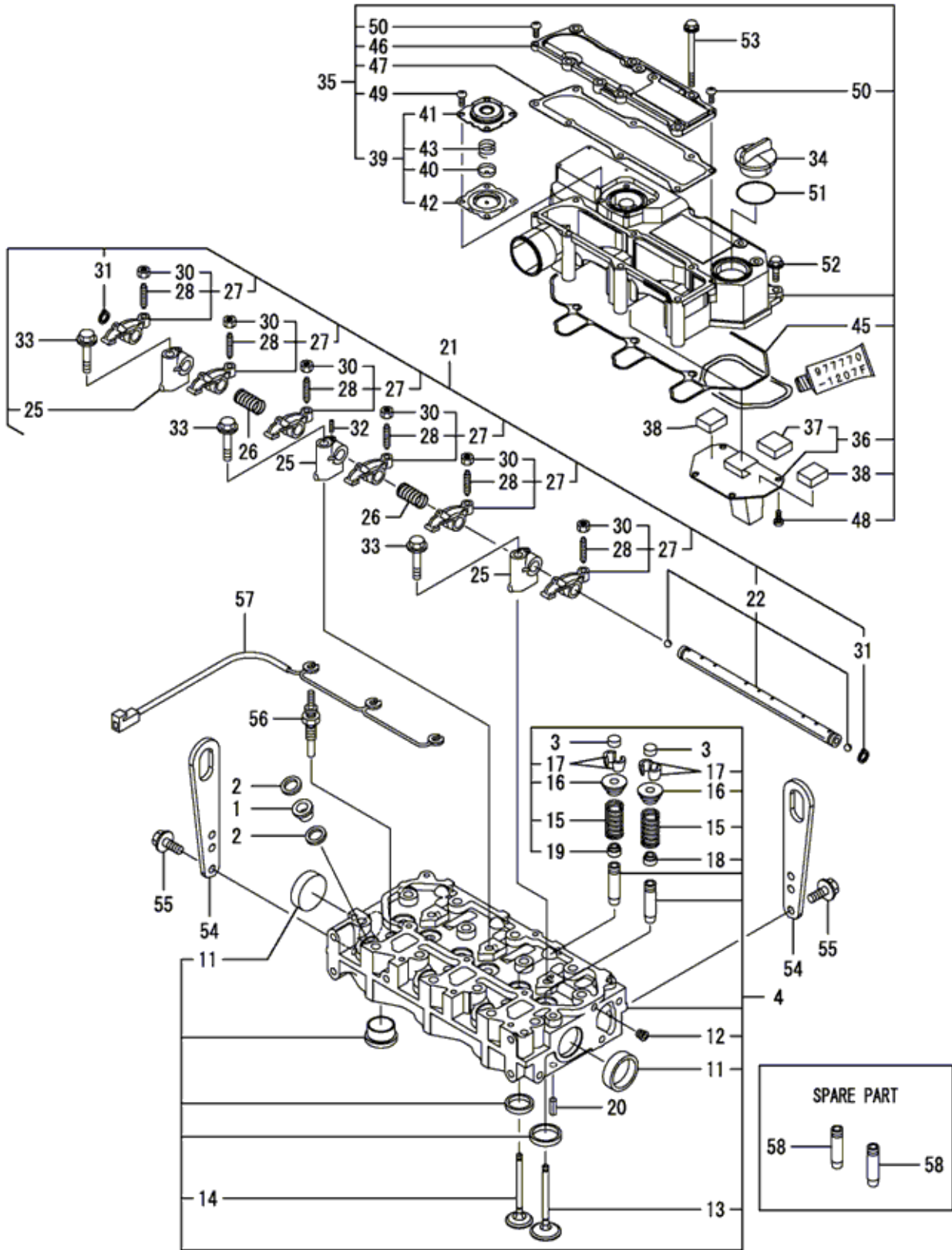
FIG

CYLINDER HEAD & BONNET(TS23)

년/월
Year/Month

TS25NCEU

2021-09



NOTE

FIG TS25NCEU		CYLINDER HEAD & BONNET(TS23)					년/월 Year/Month	
							2021-09	
KEY NO	PART NO	DESCRIPTION	SPEC	QTY	REPAIR	EFFECTIVE DATE	REMARKS	
1	129901-11450	PROTECTOR, NOZZLE		0				
2	119600-11460	GASKET, NOZZLE		0				
3	105010-11490	CAP, VALVE		0				
4	119E10-11750	HEAD ASSY, CYLINDER		0				
11	119285-11990	PLUG, 35		0				
12	23876-005000	PLUG, R005		0				
13	119E10-11100	VALVE, SUCTION		0				
14	119E10-11110	VALVE, EXHAUST		0				
15	119717-11131	SPRING, VALVE		0				
16	129508-11180	RETAINER, SPRING		0				
17	119717-11190	COTTER		0				
18	119717-11340	SEAL, VALVE STEM		0				
19	119717-11350	SEAL, VALVE STEM		0				
20	22351-060012	"PIN, SPRING 6.0X12"		0				
21	119717-11200	SUPPORT ASSY, ARM		0				
22	119717-11240	SHAFT ASSY, ROCKER		0				
25	119717-11260	SUPPORT, ROCKER ARM		0				
26	119620-11280	SPRING		0				
27	119717-11650	ARM, ROCKER		0				
28	129150-11230	SCREW, VALVE ADJUST		0				
30	129150-11750	NUT, M8		0				
31	22242-000120	RING, 12		0				
32	26979-050162	SCREW, M5X16		0				
33	26106-080402	BOLT, M8X 40 PLATED		0				
34	124160-01751	COVER, FILLER		0				
35	119717-11381	BONNET ASSY, HEAD		0				
36	119717-03031	PLATE		0				
37	119717-03070	BAFFLE, BREATHER		0				
38	119717-03070	BAFFLE, BREATHER		0				
39	119802-03100	DIAPHRAGM ASSY		0				
40	119802-03110	PLATE		0				
41	119802-03121	COVER, DIAPHRAGM		0				
42	119802-03131	DIAPHRAGM		0				
43	119802-03141	SPRING, DIAPHRAGM		0				
45	119718-11310	GASKET, BONNET		0				
46	119717-11320	COVER, BONNET		0				
47	119717-11331	GASKET		0				
48	22857-500100	SCREW, 5X10		0				
49	22857-500100	SCREW, 5X10		0				
50	22857-500160	SCREW, 5X16		0				
51	24311-000320	"O-RING, 1AP32.0"		0				
52	26106-060202	BOLT, M6X20 PLATED		0				
53	26106-060752	BOLT, M6X75 PLATED		0				
54	129900-07900	LIFTER		0				
55	26106-080162	"BOLT, M8X 16 PLATED"		0				
NOTE								

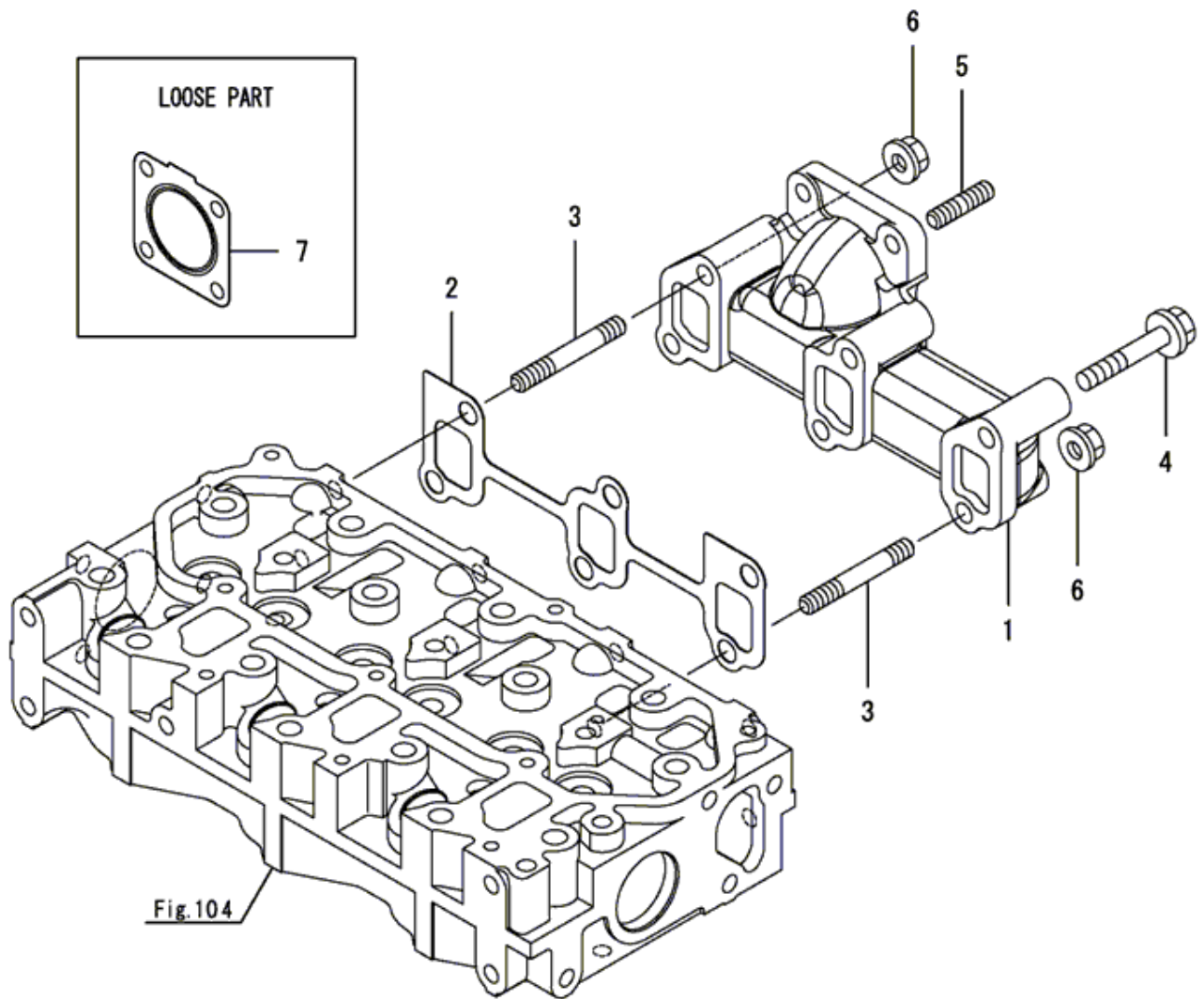
FIG

EXHAUST MANIFOLD

년/월
Year/Month

TS25NCEU

2021-09



NOTE

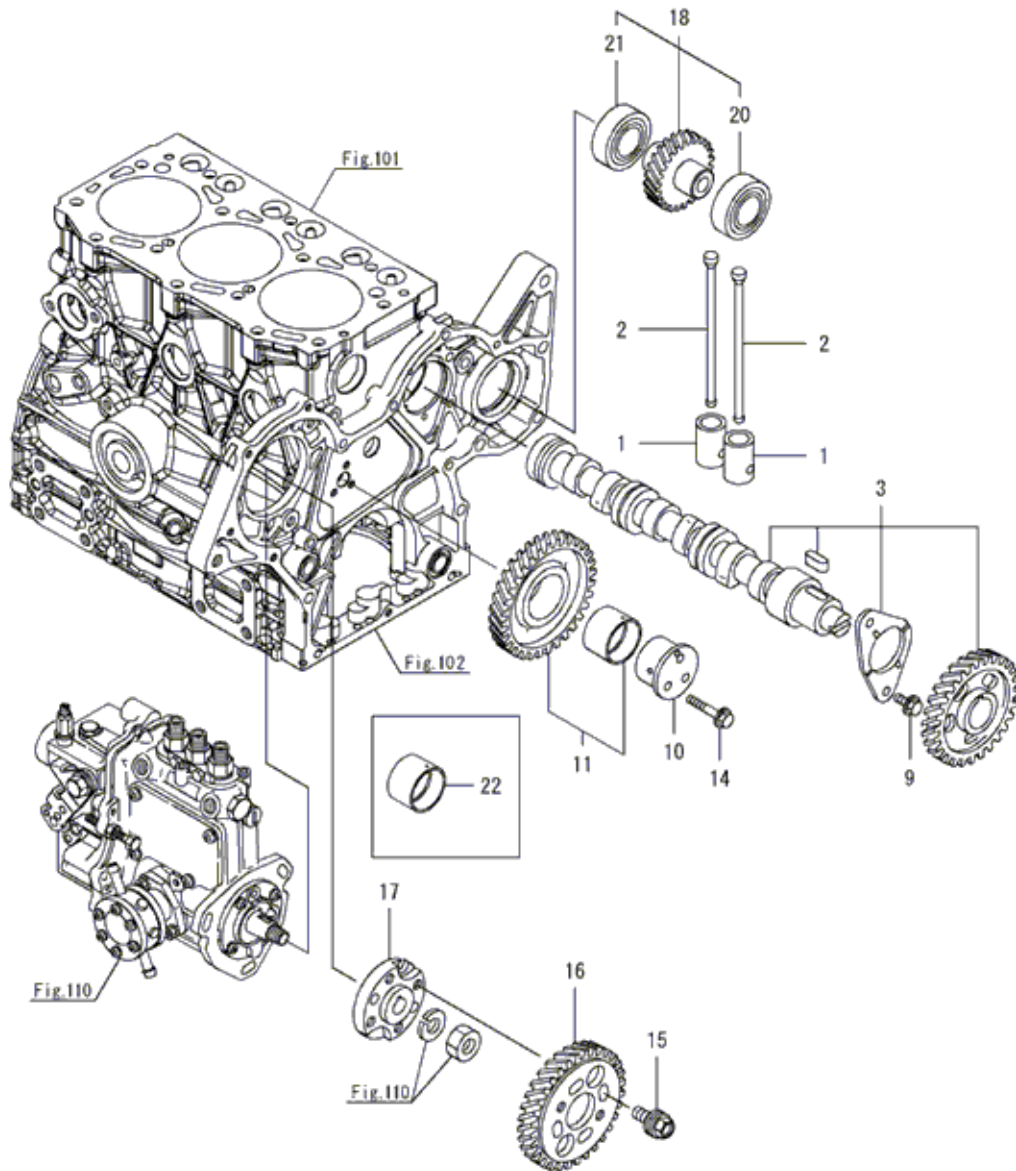
FIG

CAMSHAFT & DRIVING GEAR(TS25)

년/월
Year/Month

TS25NCEU

2021-09



NOTE

2. Engine Accessories PART NO. T2

FIG AIR CLEANER	60
FIG RADIATOR	62
FIG MUFFLER	64
FIG ACCELERATOR	66
FIG FUEL FILTER	68
FIG ENGINE MOUNTING	70
FIG FUEL TANK & FUEL LINE	72

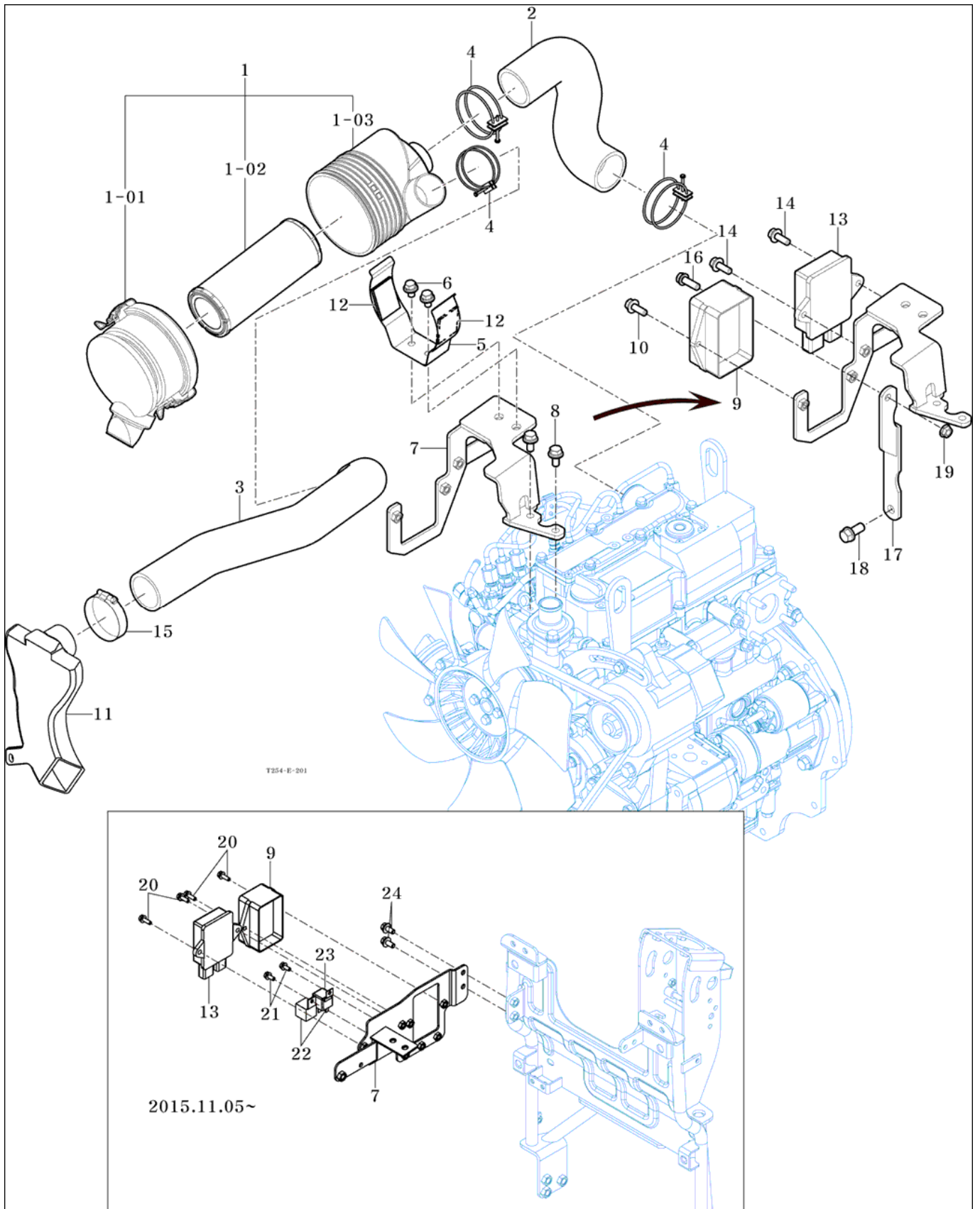
FIG

AIR CLEANER

년/월
Year/Month

TS25NCEU

2021-09



NOTE

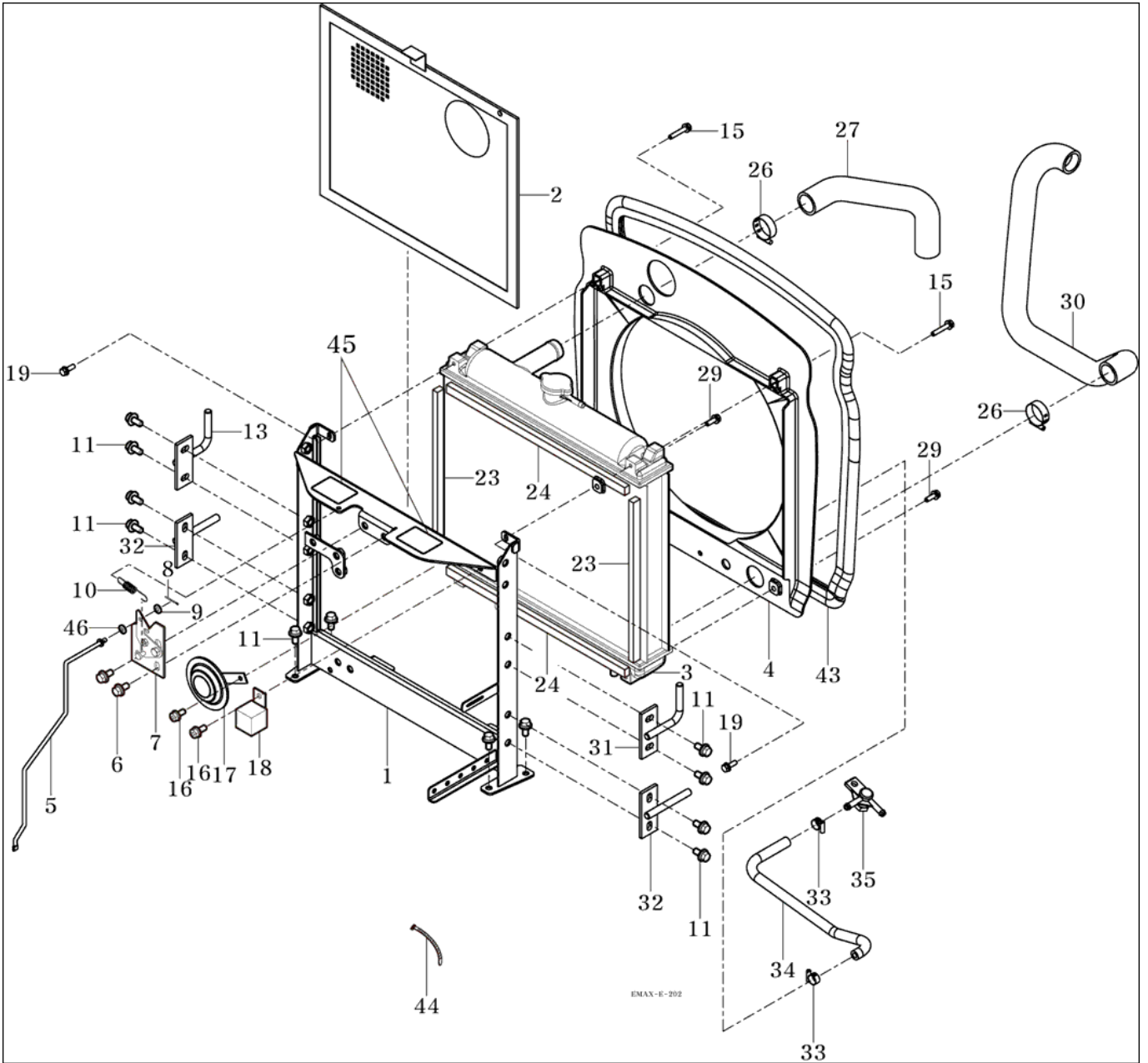
FIG

RADIATOR

년/월
Year/Month

TS25NCEU

2021-09



NOTE

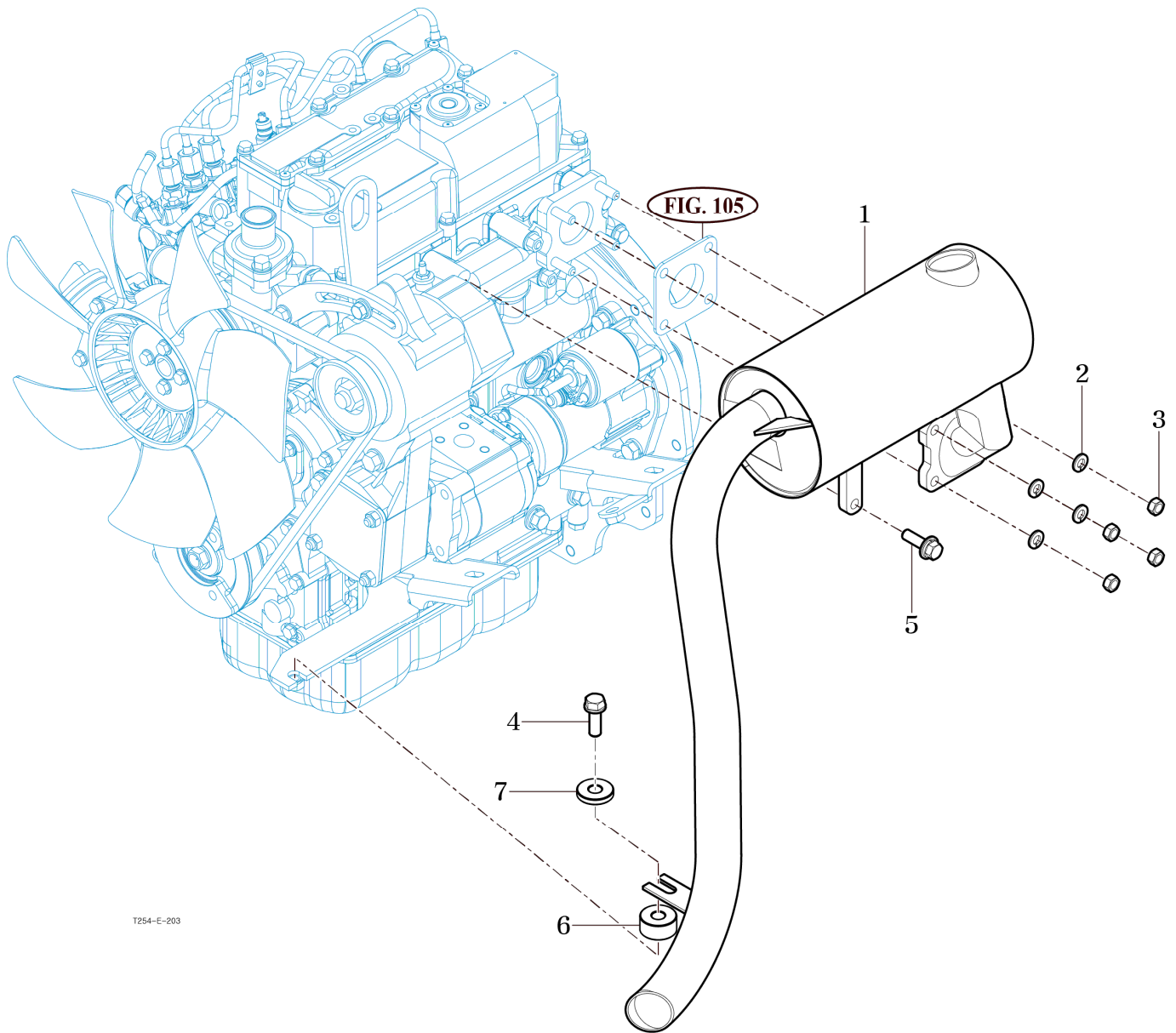
FIG

TS25NCEU

MUFFLER

년/월
Year/Month

2021-09



NOTE

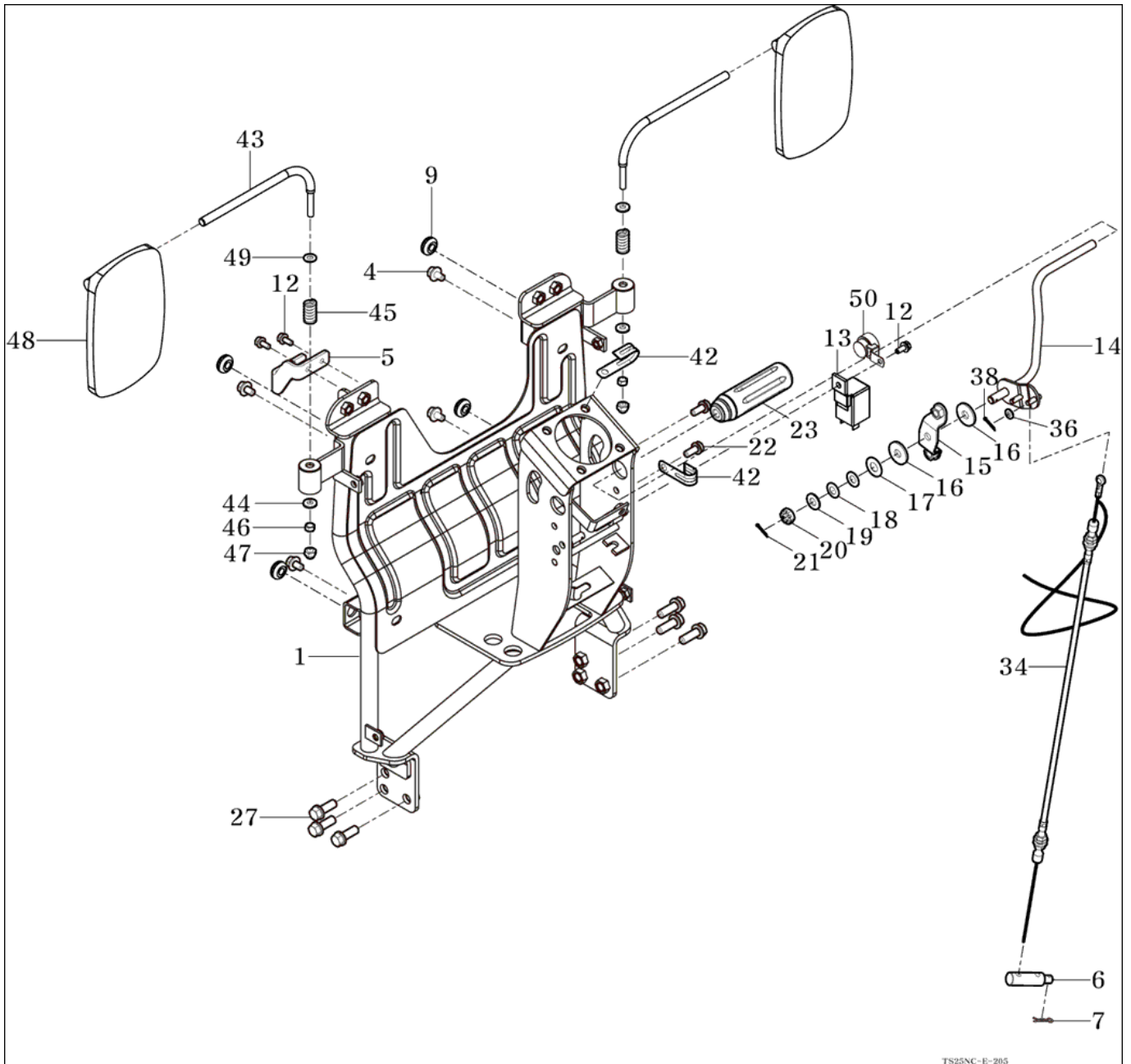
FIG

TS25NCEU

ACCELERATOR

년/월
Year/Month

2021-09



TS25NC-E-205

NOTE

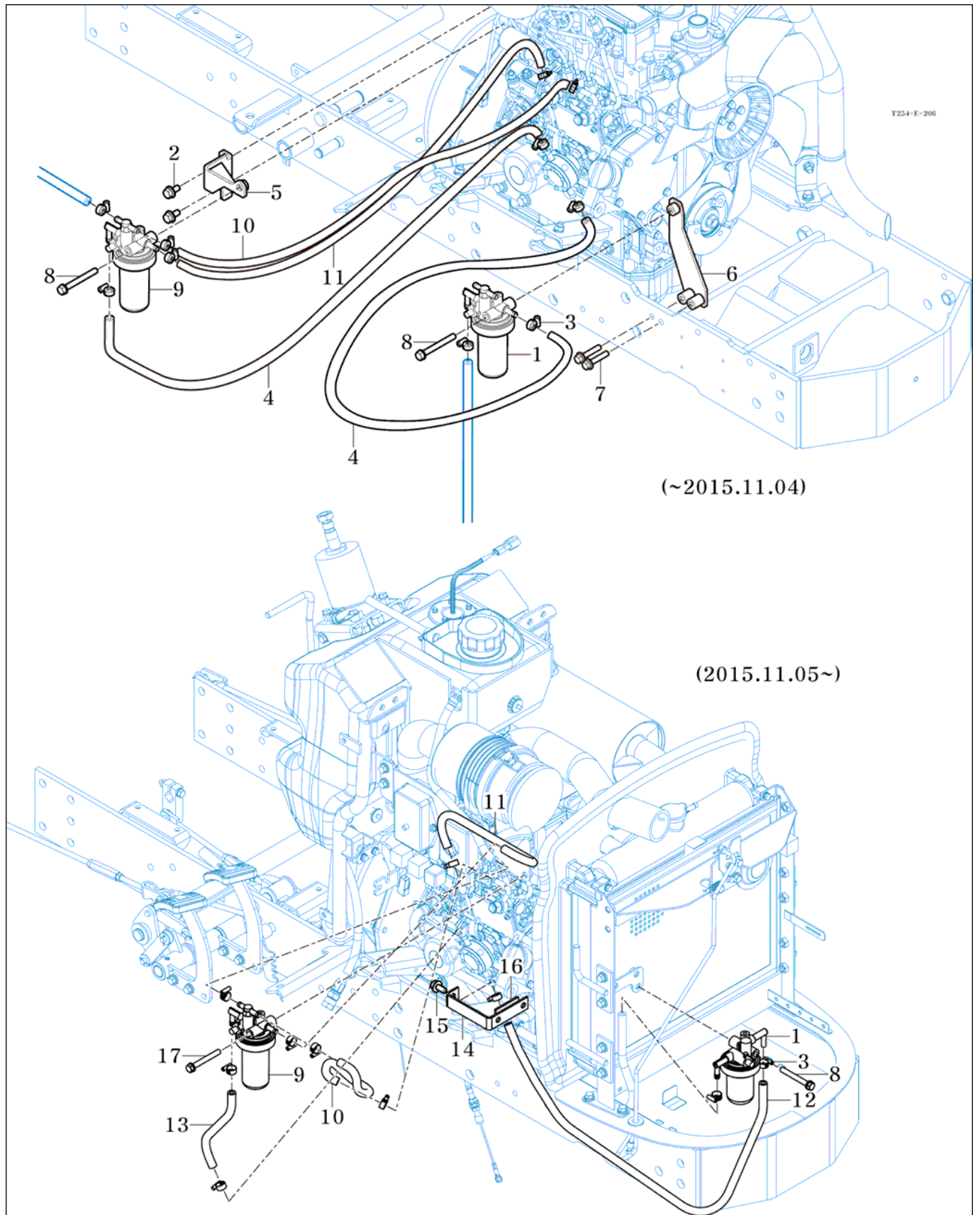
FIG

FUEL FILTER

TS25NCEU

년/월
Year/Month

2021-09



(~2015.11.04)

(2015.11.05~)

NOTE

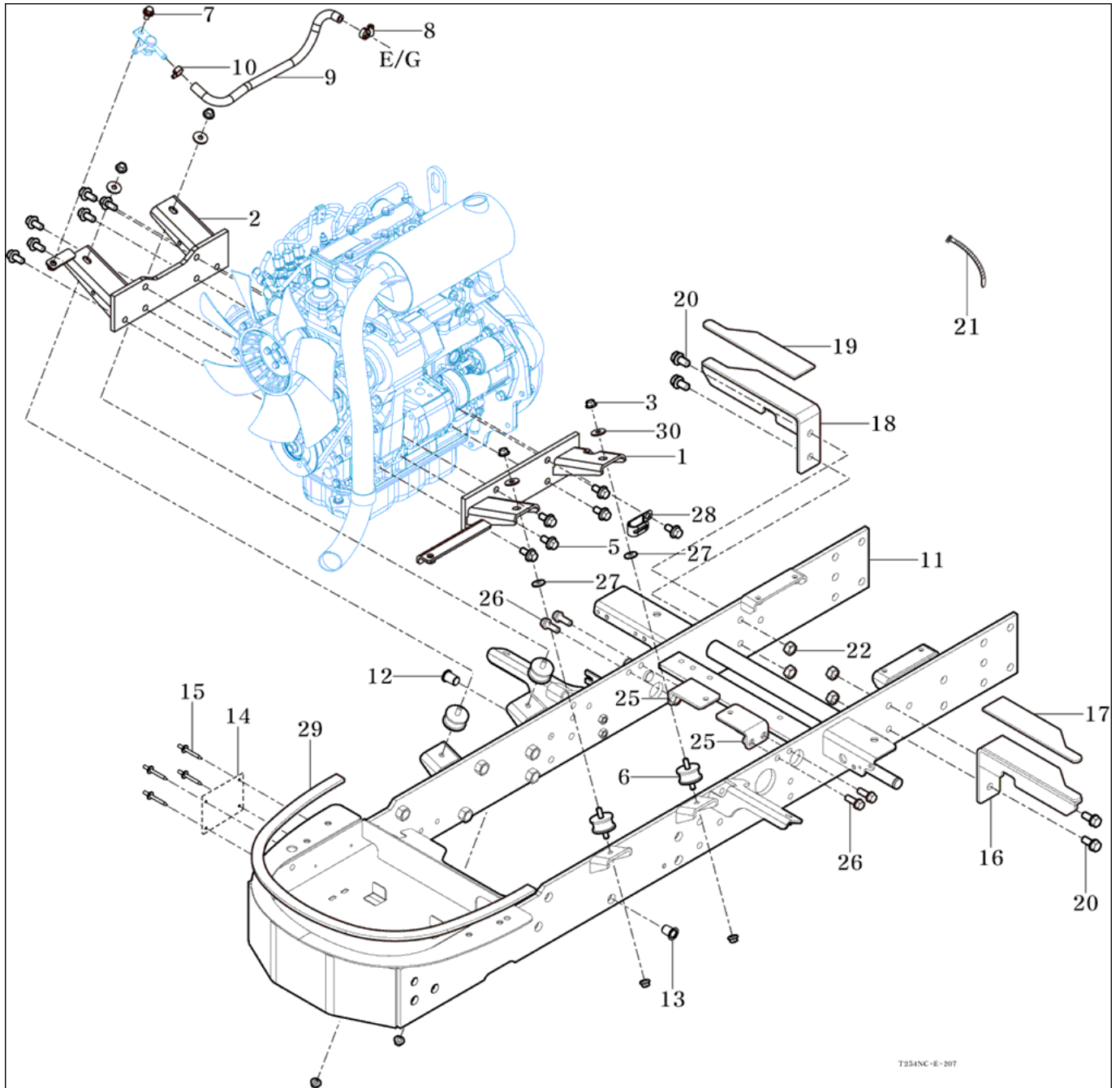
FIG

ENGINE MOUNTING

년/월
Year/Month

TS25NCEU

2021-09



T254NC-E-207

NOTE

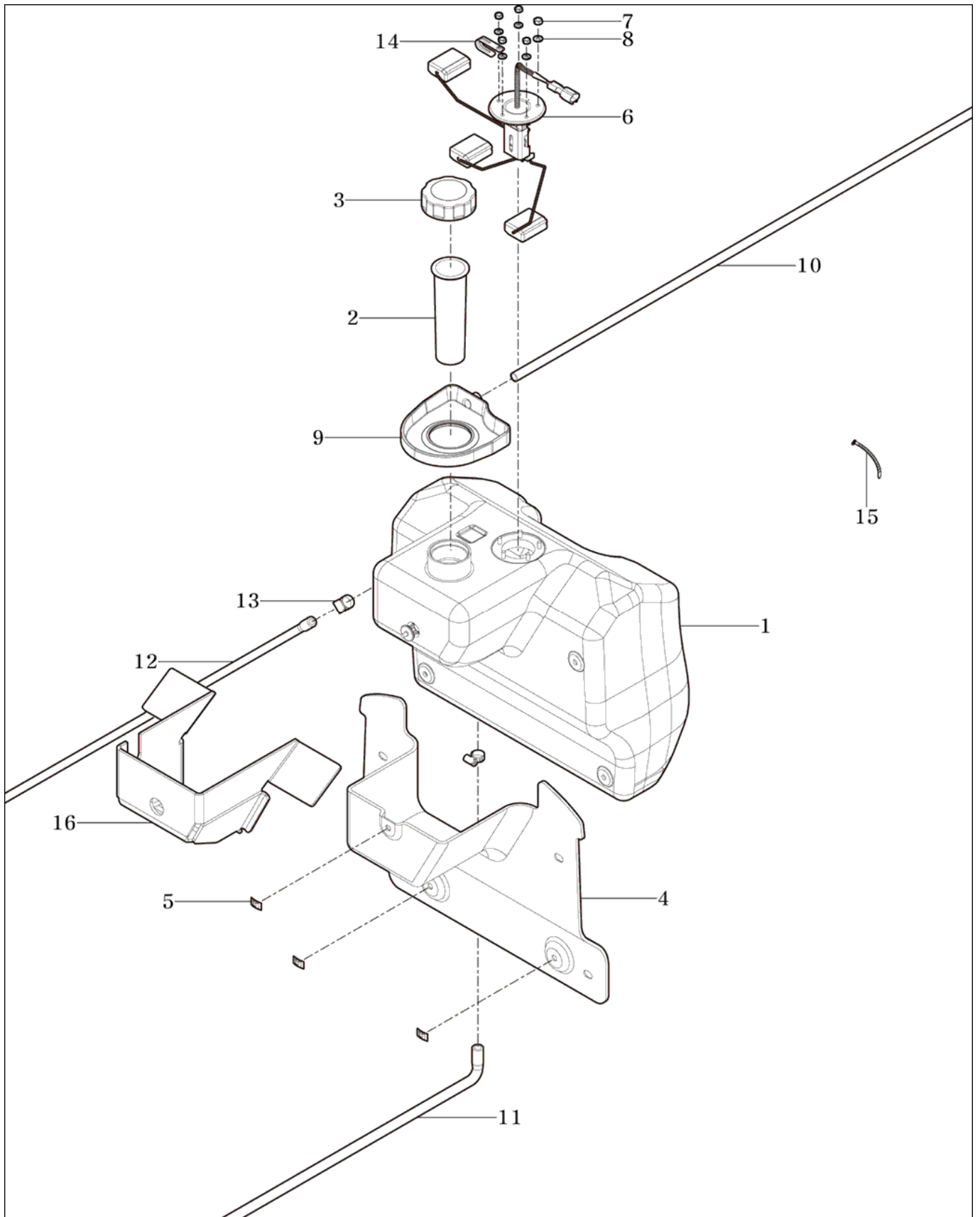
FIG

TS25NCEU

FUEL TANK & FUEL LINE

년/월
Year/Month

2021-09



NOTE

3. Clutch/Brake/Steering PART NO. T3

FIG FLYWHEEL COVER	75
FIG BRAKE	77
FIG CLUTCH , BRAKE PEDAL & LINKAGE	79
FIG ACCELERATOR PEDAL & CABLE	81
FIG DASH COVER	83
FIG STEERING VALVE	85
FIG STEERING CYLINDER	87
FIG STEERING WHEEL	89
FIG TIRE	91
FIG HAND BRAKE	93

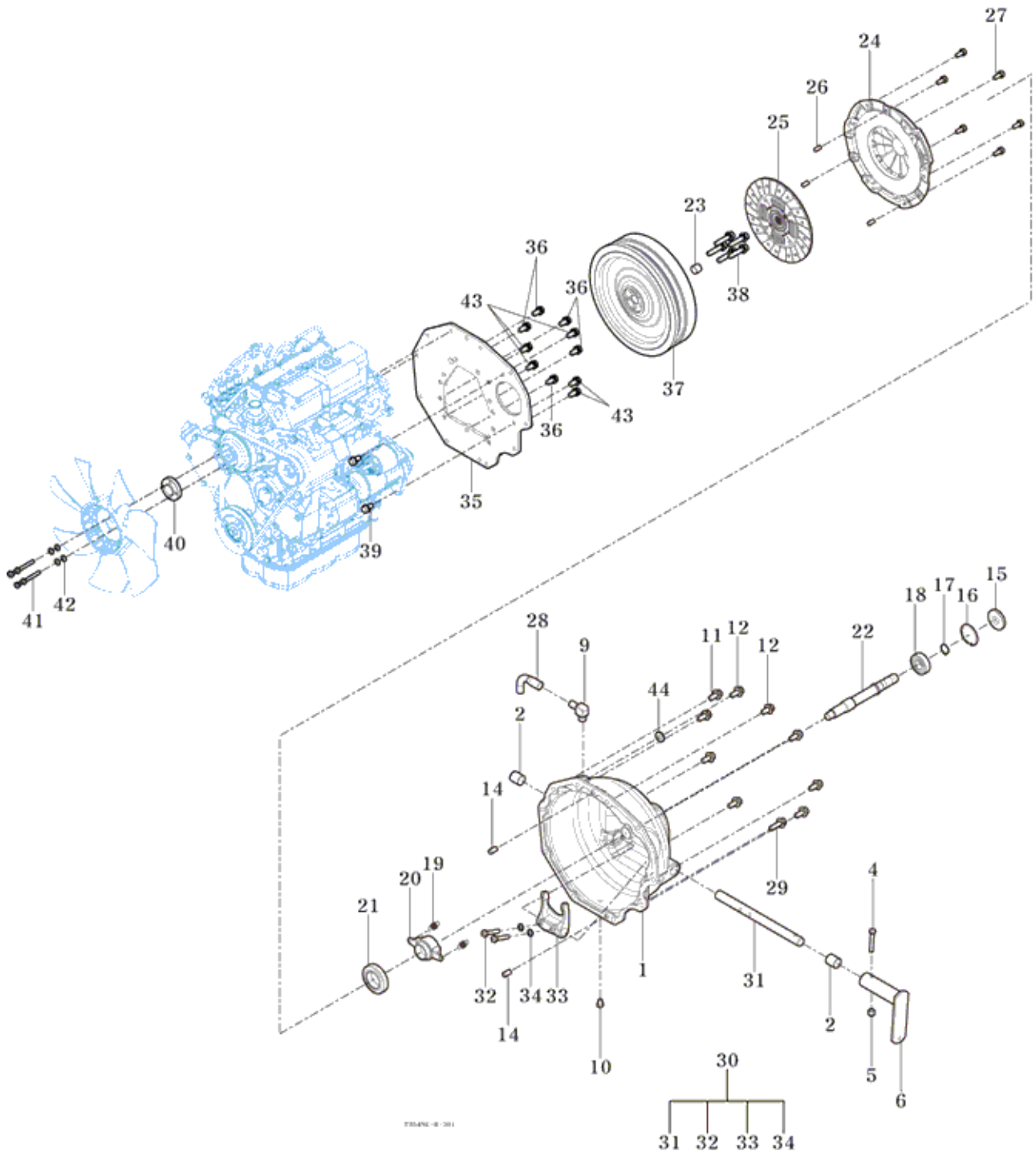
FIG

TS25NCEU

FLYWHEEL COVER

년/월
Year/Month

2021-09



NOTE

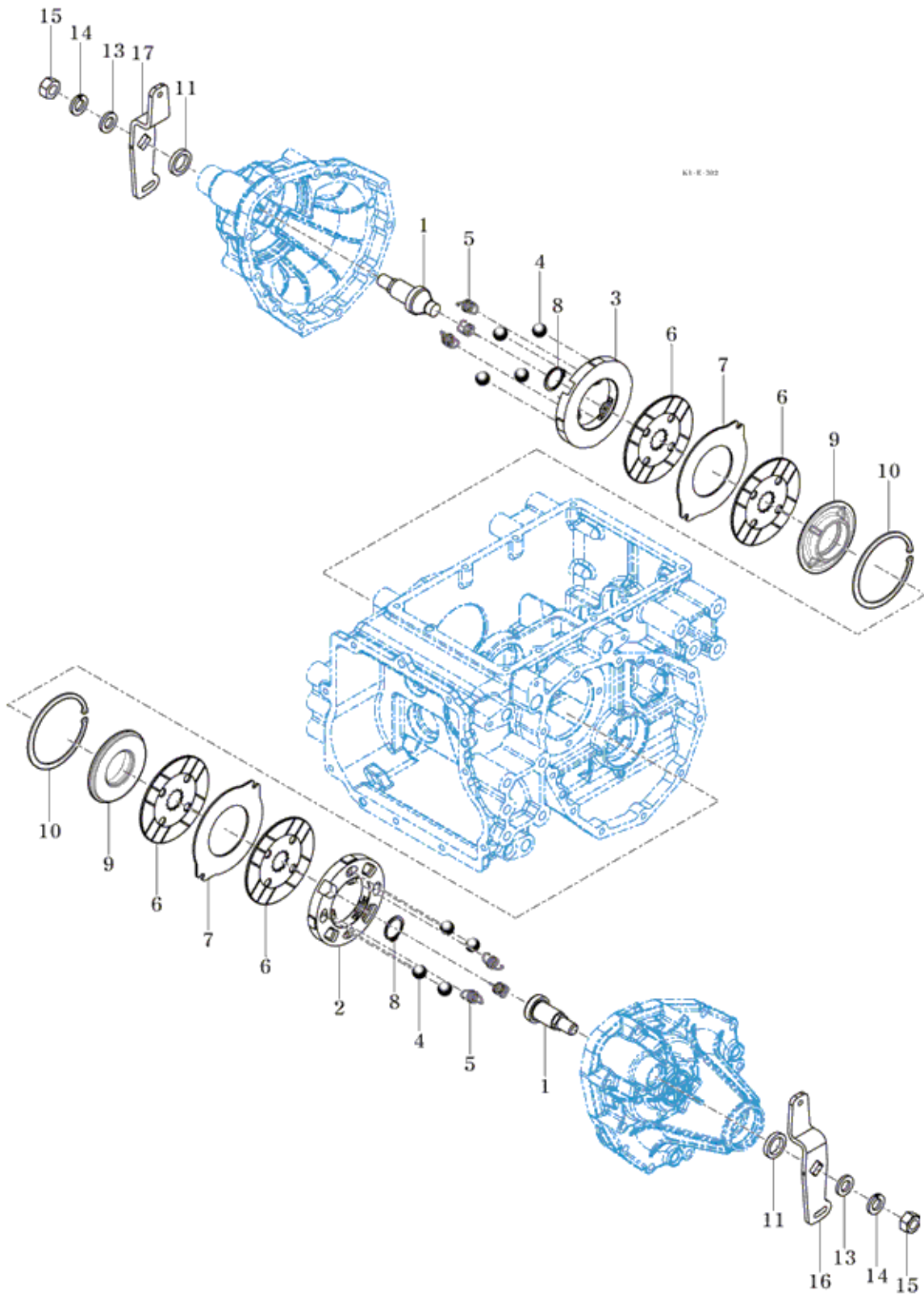
FIG

BRAKE

년/월
Year/Month

TS25NCEU

2021-09



NOTE

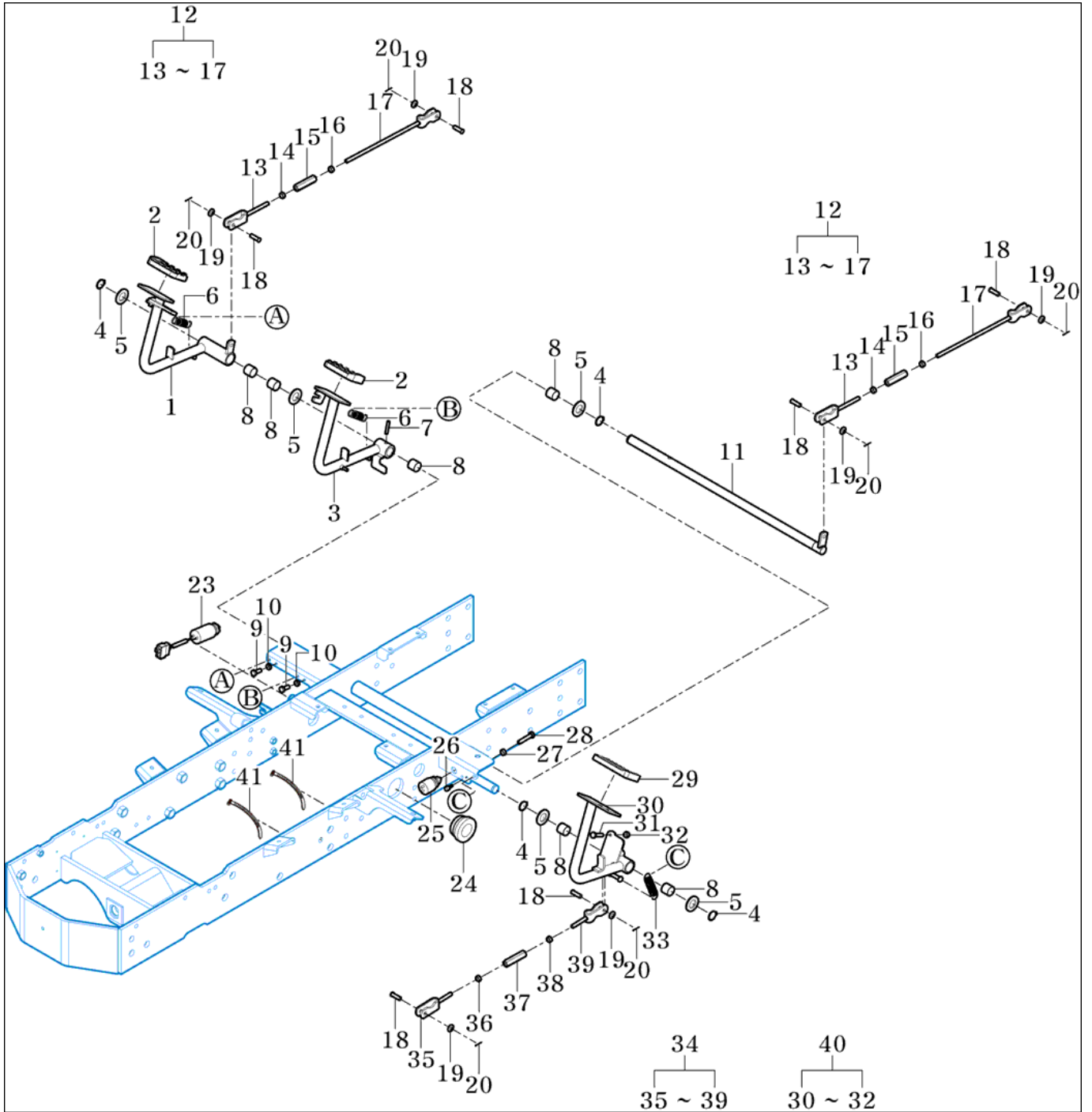
FIG

CLUTCH , BRAKE PEDAL & LINKAGE

년/월
Year/Month

TS25NCEU

2021-09



NOTE

FIG		CLUTCH , BRAKE PEDAL & LINKAGE					년/월 Year/Month	
TS25NCEU							2021-09	
KEY NO	PART NO	DESCRIPTION	SPEC	QTY	REPAIR	EFFECTIVE DATE	REMARKS	
1	11503283200GB	PEDAL COMP , BRAKE RH		1				
2	11503280020	PAD , BRAKE		2				
3	11503283100GB	PEDAL COMP , BRAKE LH		1				
4	V7041400200	C-RING , SHAFT	20	4				
5	V4111600200	WASHER , PLAIN	M20	5				
6	35822210090	SPRING , HE070	D=2.6	2				
7	V5801406032	PIN , SPRING	6X32	1				
8	11102320030	BUSH , 20X23X20		6				
9	V2013608020	BOLT , HEX	M8X20	2				
10	V3052600080	NUT , HEX/3	M8	2				
11	11503282100	ARM COMP , BRAKE		1				
12	11103284000	ROD ASSY , BRAKE		2				
13	11103284200	ROD COMP , HOOK RH		2				
14	V3043600080	NUT , HEX/2	M8	2				
15	16601220020	TURNBUCKLE , M8 L60		2				
16	15601320073	NUT , HEX LH	"2중,M8"	2				
17	11103284100	ROD COMP , HOOK		2				
18	21443370020	PIN , 08X25	D=8	6				
19	V4111600080	WASHER , PLAIN	M8	6				
20	V5001920015	PIN , SPLIT	2X15	6				
23	13153285001	SWITCH ASSY , BRAKE	1X1X1	1				
24	11501300030	MOUNTING RUBBER , CLUTCH		1				
25	15606642500	SWITCH SET , PUSH		1				
26	21004100070	STOPPER , ARM/CARRYING	HS80도	1				
27	V3042600080	NUT , HEX/2	M8	1				
28	V2013608040	BOLT , HEX	M8X40	1				
29	13153280050	PAD	1X1X1	1				
30	11501332100GB	PEDAL COMP , CLUTCH		1				
31	V2013608030	BOLT , HEX	M8X30	1				
32	V3042600080	NUT , HEX/2	M8	1				
33	11501330010	SPRING , RETURN		1				
34	11501305000	ROD ASSY , CLUTCH		1				
35	11501305200	ROD COMP , RH		1				
36	V3043600080	NUT , HEX/2	M8	1				
37	16601220020	TURNBUCKLE , M8 L60		1				
38	15601320073	NUT , HEX LH	"2중,M8"	1				
39	11501305100	ROD COMP , LH		1				
40	11501332000GB	PEDAL SUB , CLUTCH		1				
41	14256210040	CLAMP , 9		1				
41	14216210380	CABLE TIE , 200		1				
42	V2183608012	BOLT , HEX/SP	M8X12	1				

NOTE

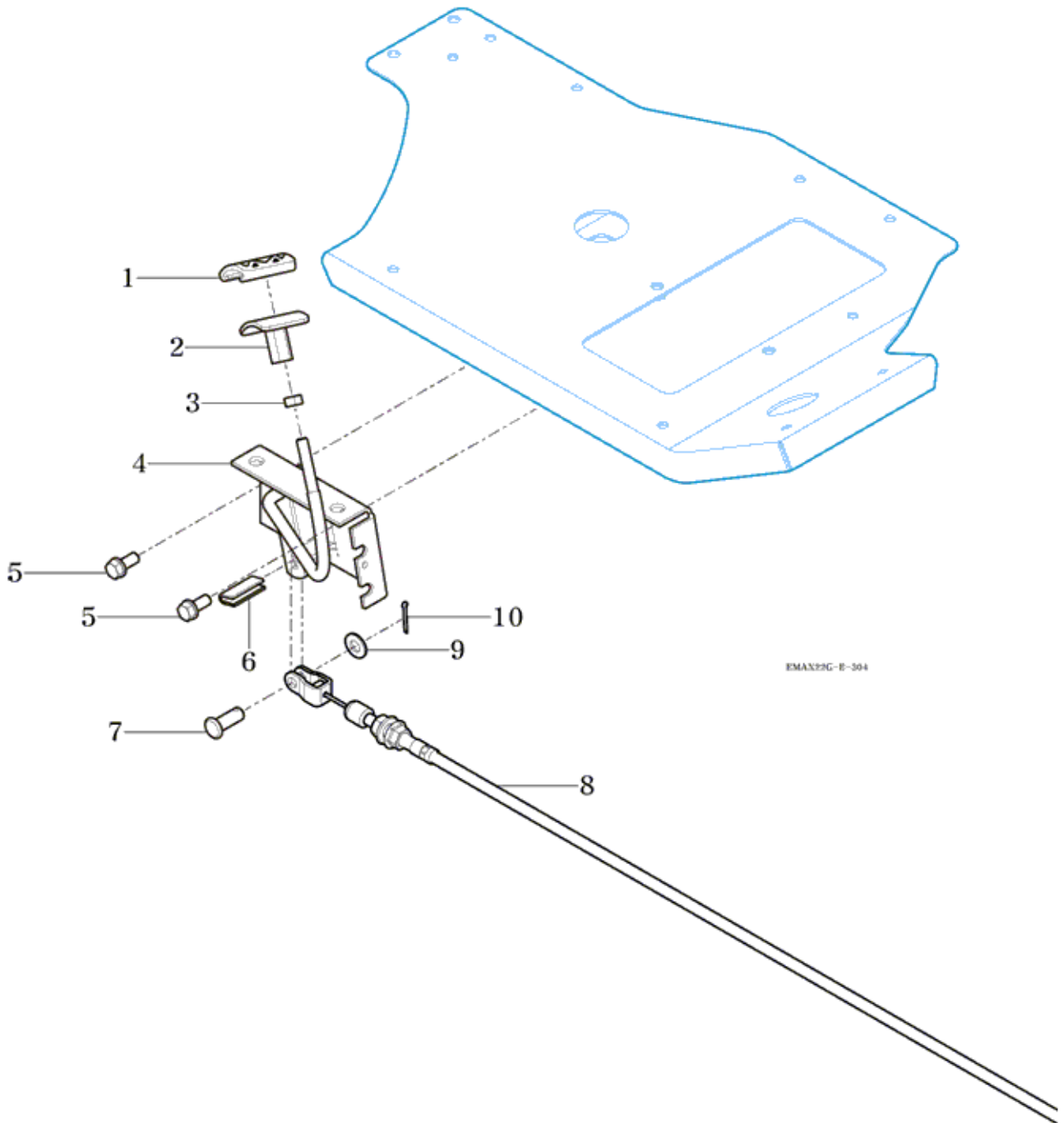
FIG

ACCELERATOR PEDAL & CABLE

년/월
Year/Month

TS25NCEU

2021-09



NOTE

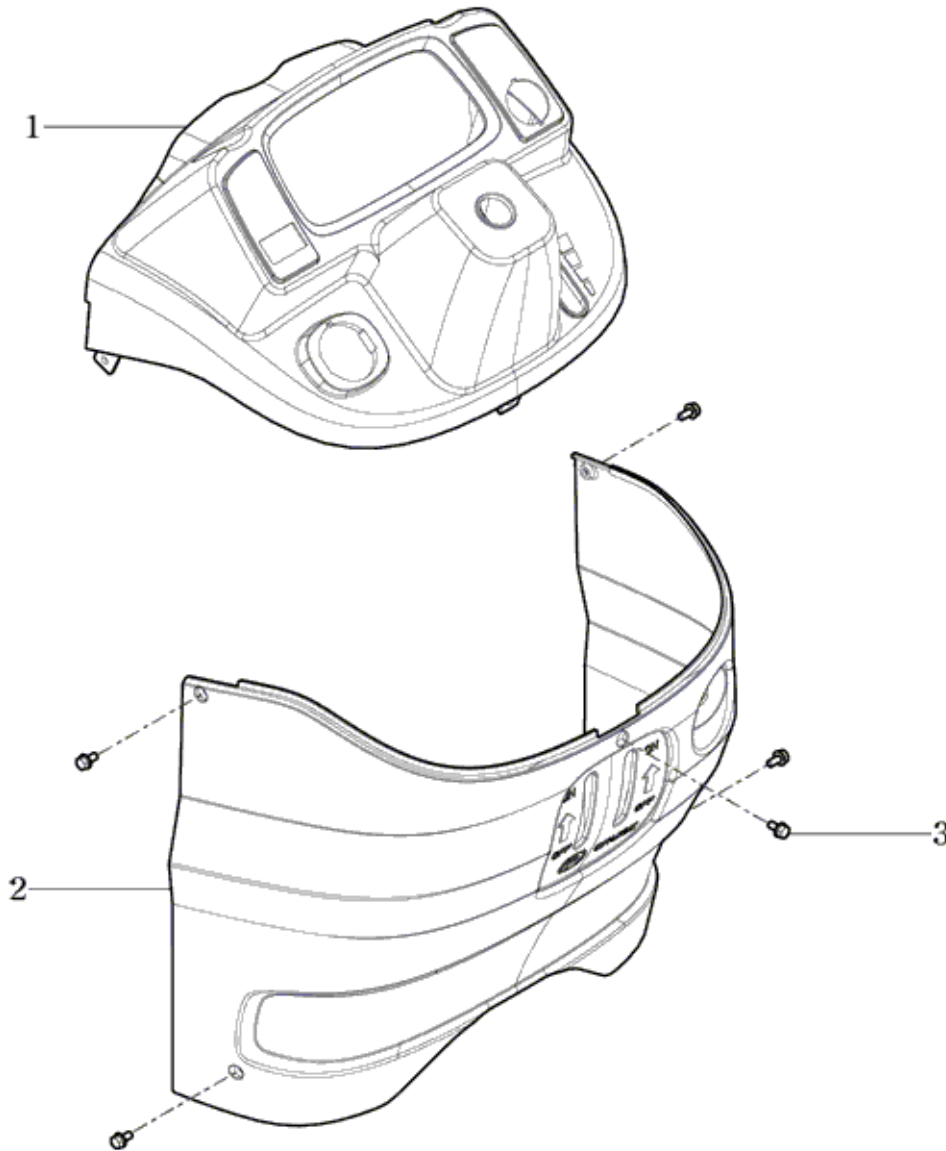
FIG

TS25NCEU

DASH COVER

년/월
Year/Month

2021-09



NOTE

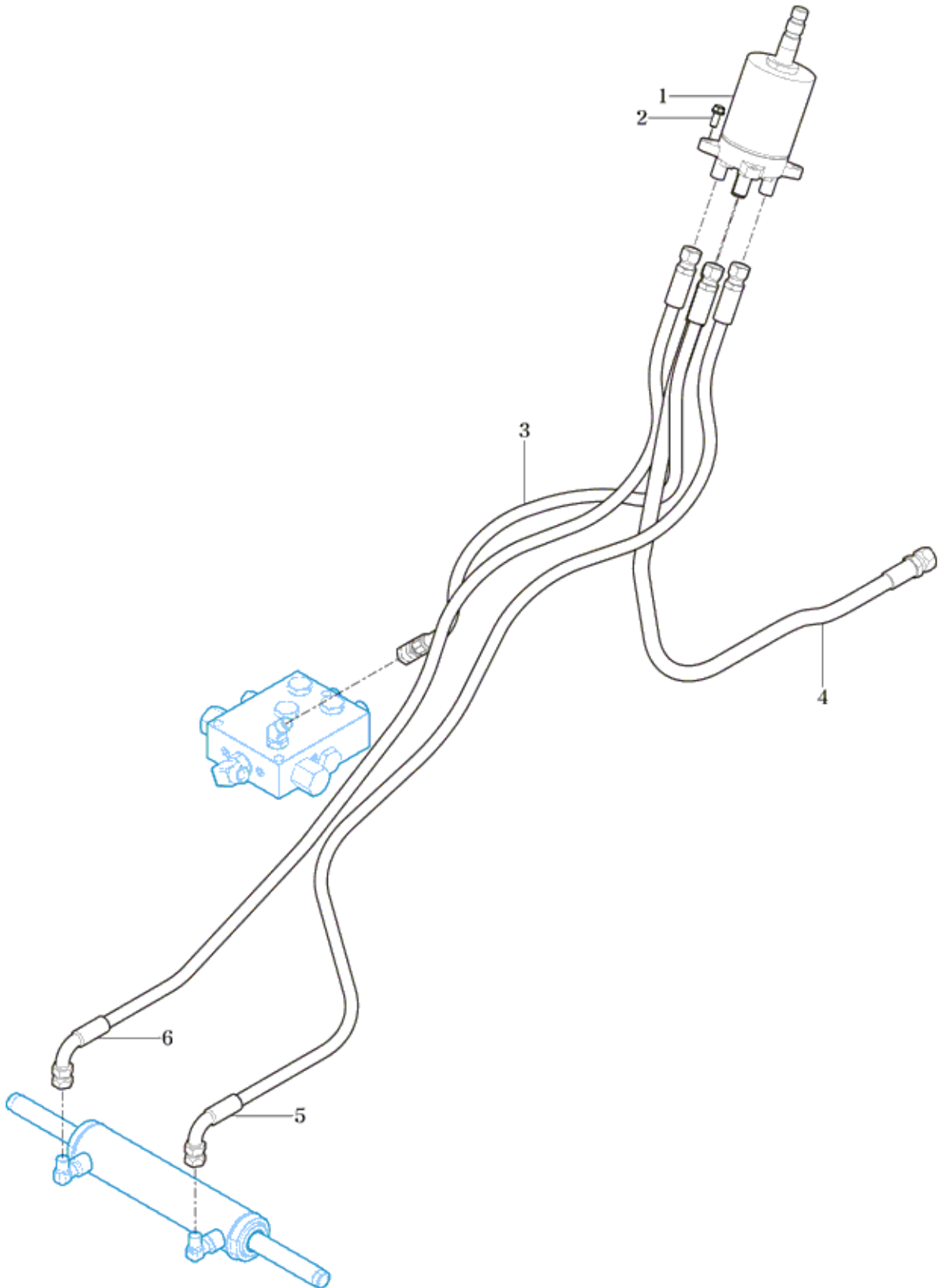
FIG

TS25NCEU

STEERING VALVE

년/월
Year/Month

2021-09



NOTE

FIG		STEERING VALVE					년/월 Year/Month	REMARKS
TS25NCEU								2021-09
KEY NO	PART NO	DESCRIPTION	SPEC	QTY	REPAIR	EFFECTIVE DATE	REMARKS	
1	11104051001	SCU		1				
2	V2173608025	BOLT , HEX/S	M8X25	4				
3	11115103100	HOSE ASSY , PUMP/740		1				
4	11105103200	HOSE ASSY , DRAIN/1000		1				
5	11105103301	HOSE ASSY , STEERING LH		1				
6	11105103401	HOSE ASSY , STEERING RH		1				
NOTE								

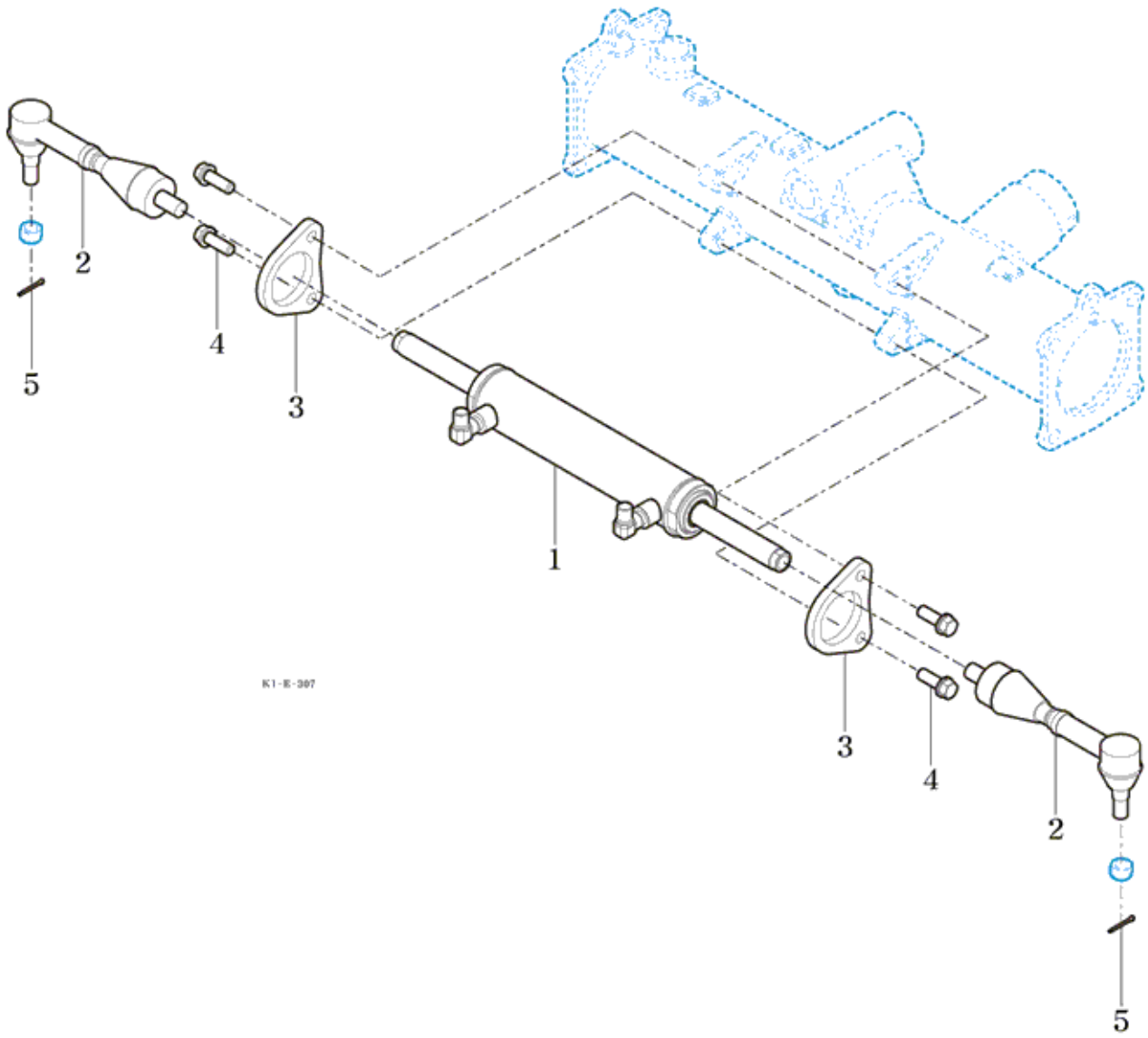
FIG

TS25NCEU

STEERING CYLINDER

년/월
Year/Month

2021-09



NOTE

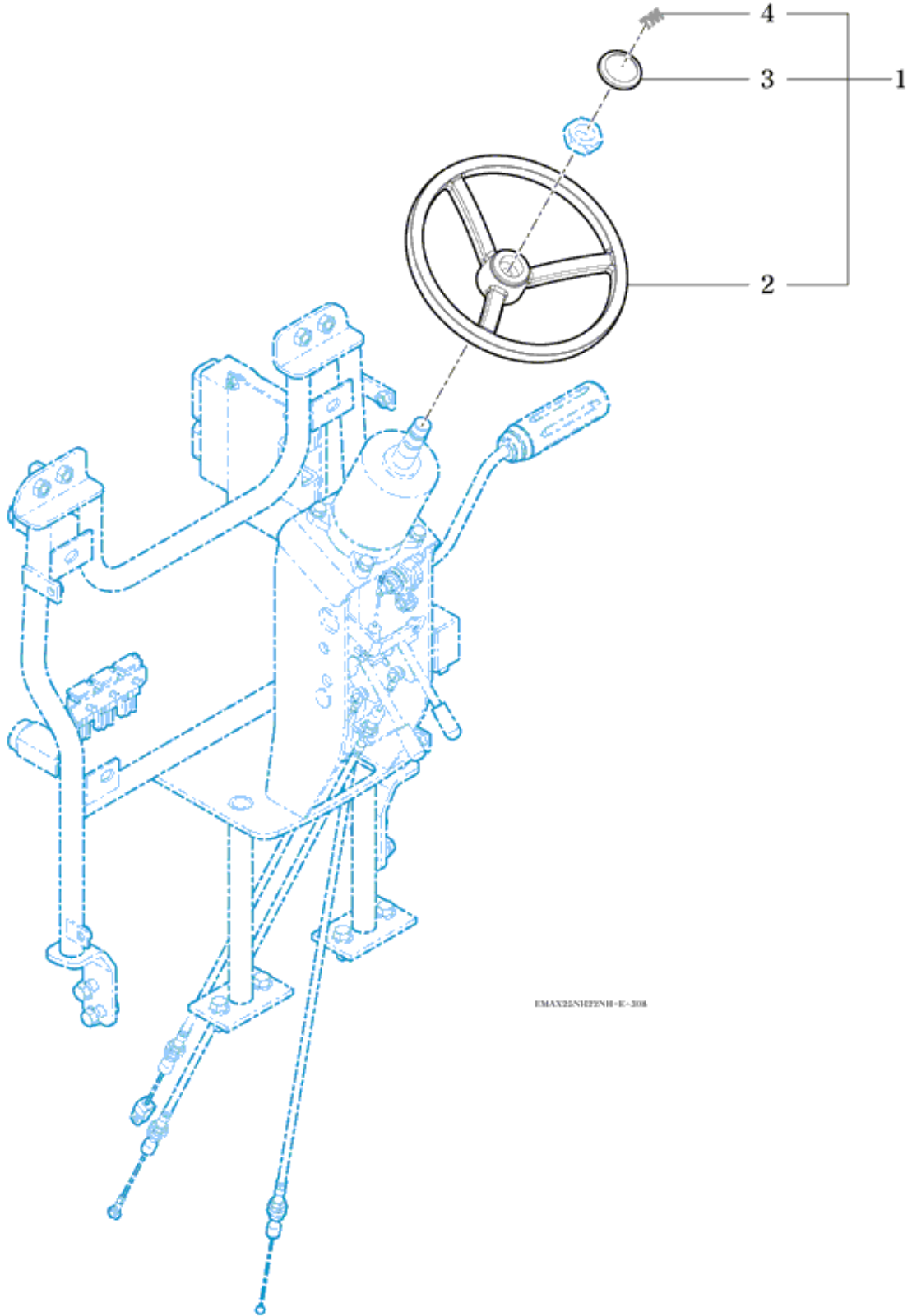
FIG

STEERING WHEEL

년/월
Year/Month

TS25NCEU

2021-09



EMAX25NCEU-H-E-308

NOTE

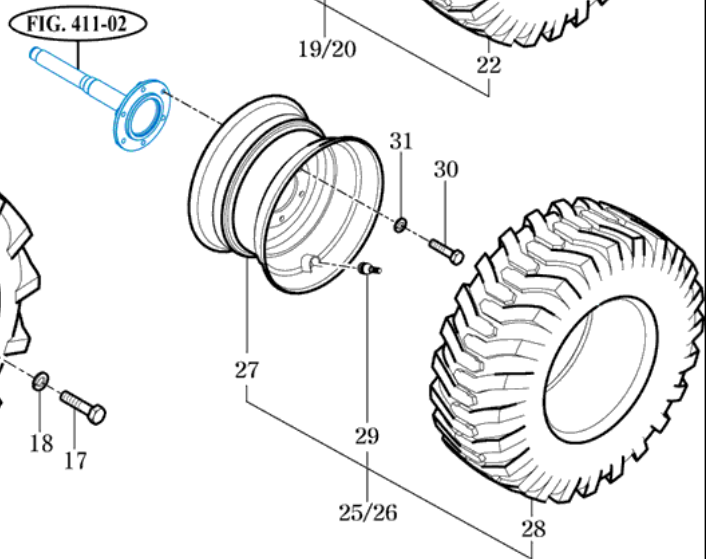
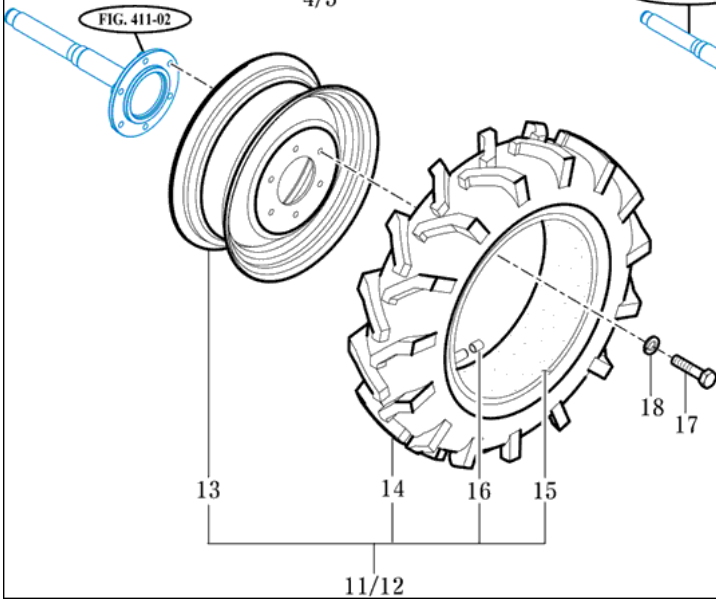
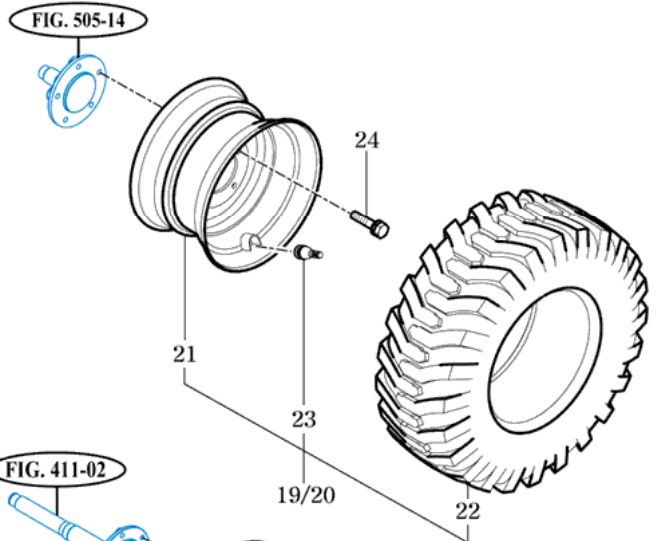
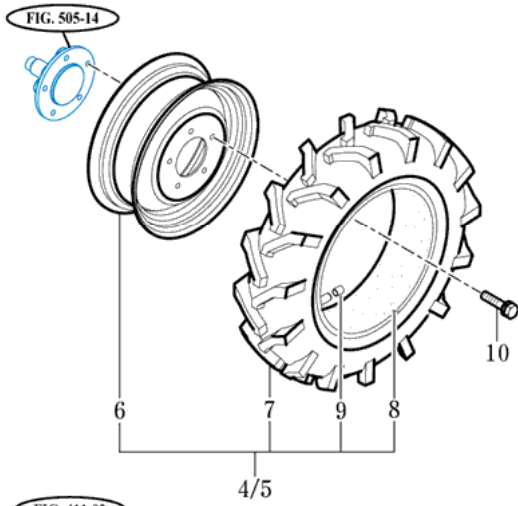
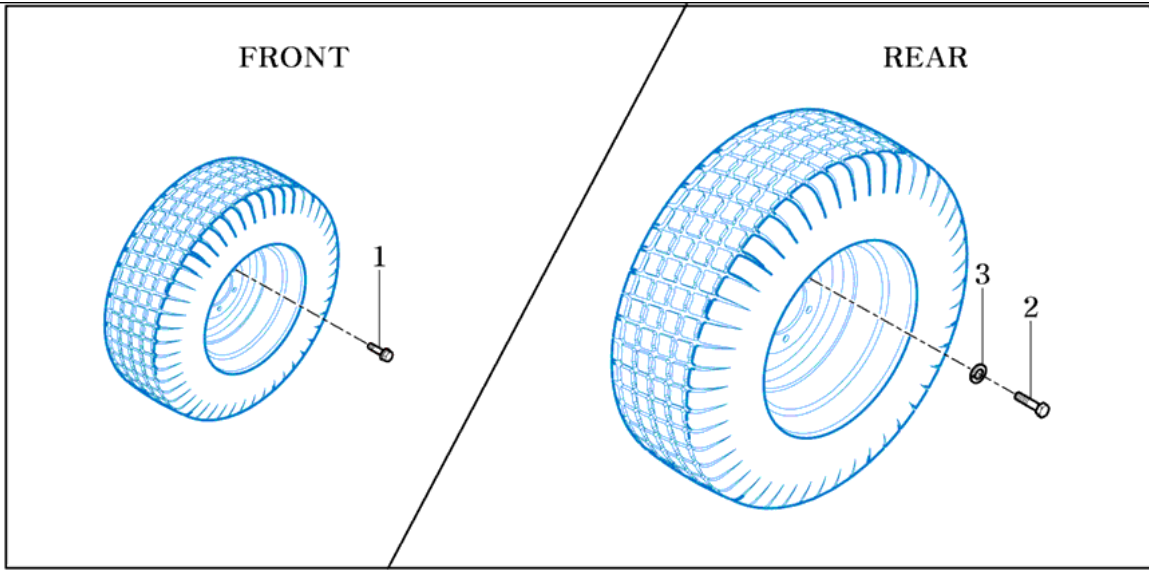
FIG

TIRE

년/월
Year/Month

TS25NCEU

2021-09



TS25NCE-309

NOTE

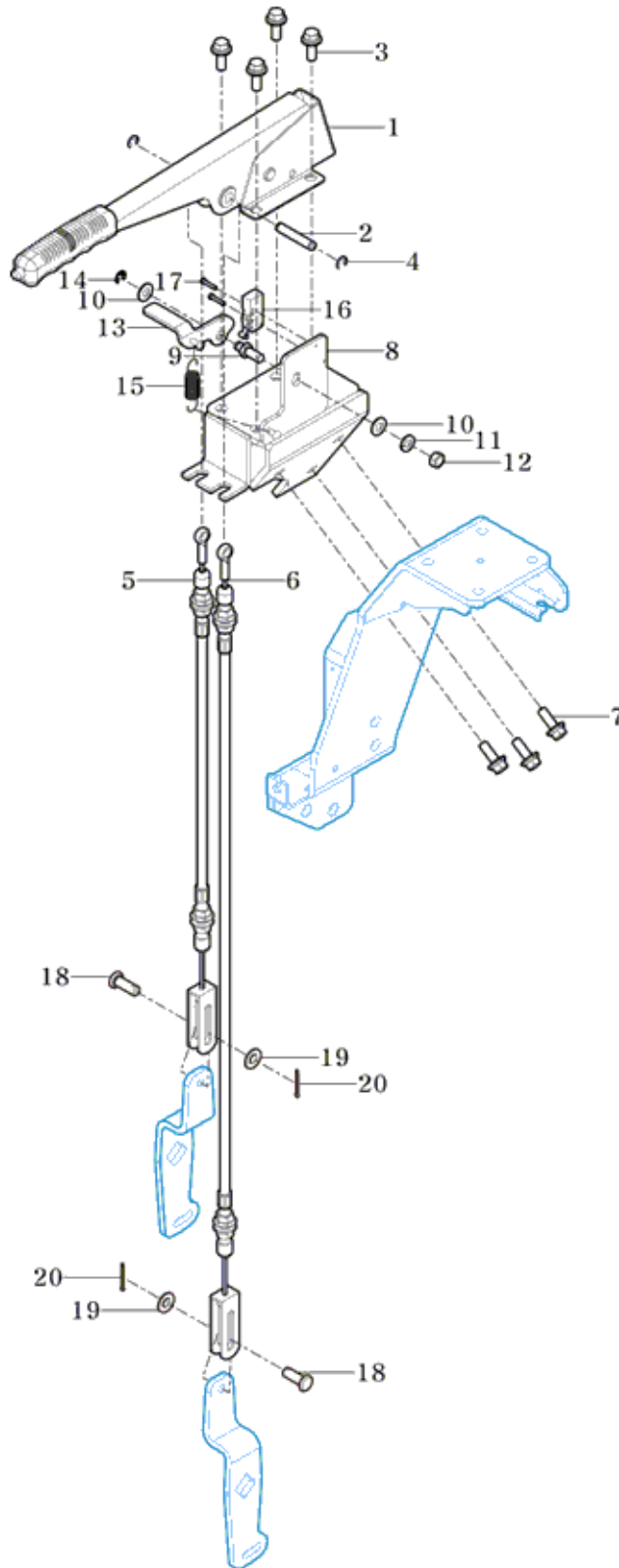
FIG

TS25NCEU

HAND BRAKE

년/월
Year/Month

2021-09



NOTE

4. Transmission PART NO. T4

FIG INPUT SHAFT	96
FIG INPUT GEAR	98
FIG REAR TRANSMISSION CASE	100
FIG REAR AXLE HOUSING	102
FIG MAIN SHIFT LEVER	104
FIG RANGE SHIFT LEVER	106
FIG P.T.O CHANGE LEVER	108
FIG 4WD CHANGE LEVER	110
FIG TRANSMISSION MOUNTING	112
FIG MAIN SHIFT GEAR	114
FIG RANGE GEAR	116
FIG 4WD DRIVE GEAR	118
FIG P.T.O DRIVE SHAFT	120
FIG P.T.O SHAFT	122
FIG MID P.T.O GEAR	124
FIG DIFF LOCK	126
FIG MID TRANSMISSION CASE	128

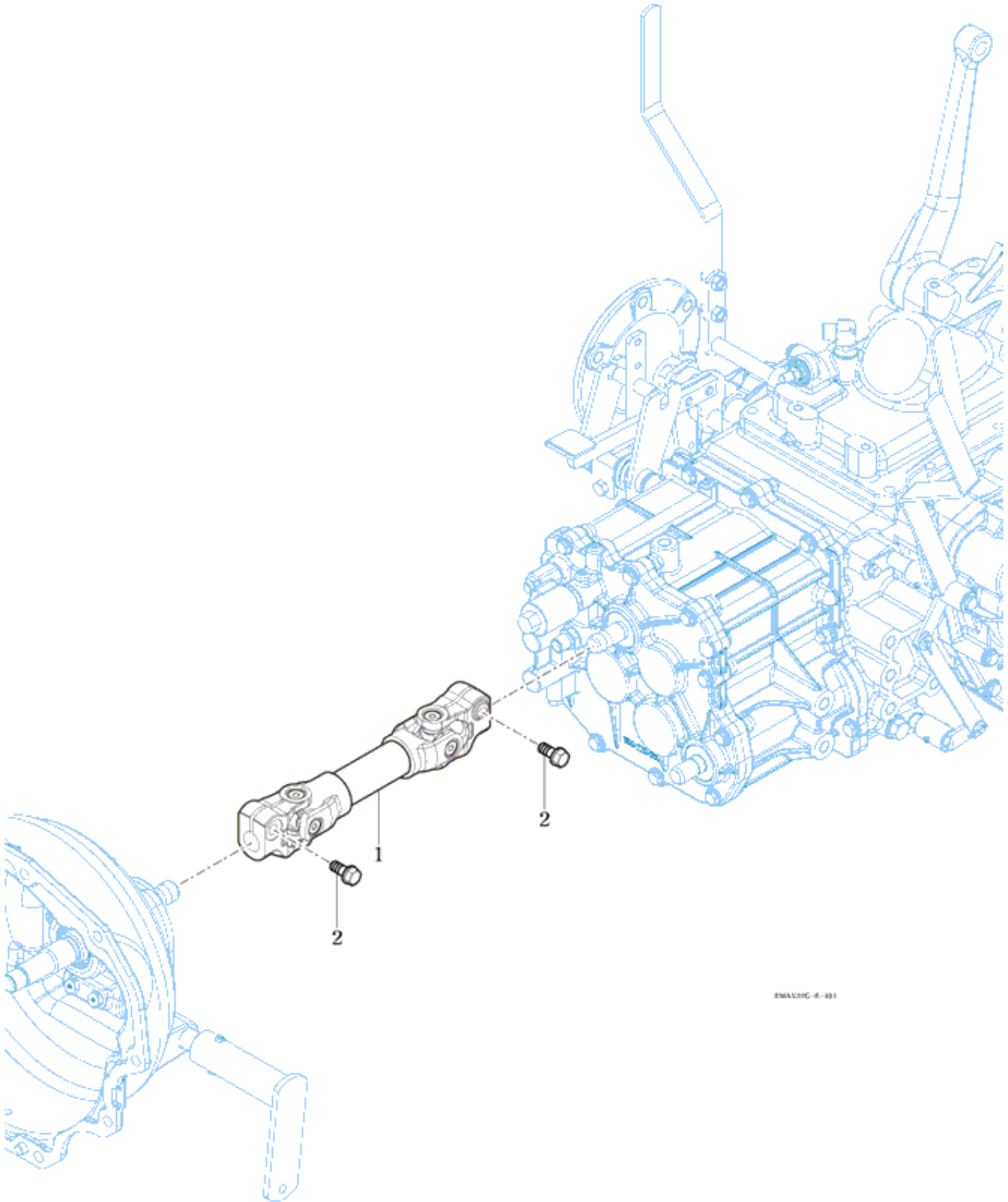
FIG

TS25NCEU

INPUT SHAFT

년/월
Year/Month

2021-09



EMAXING-E-481

NOTE

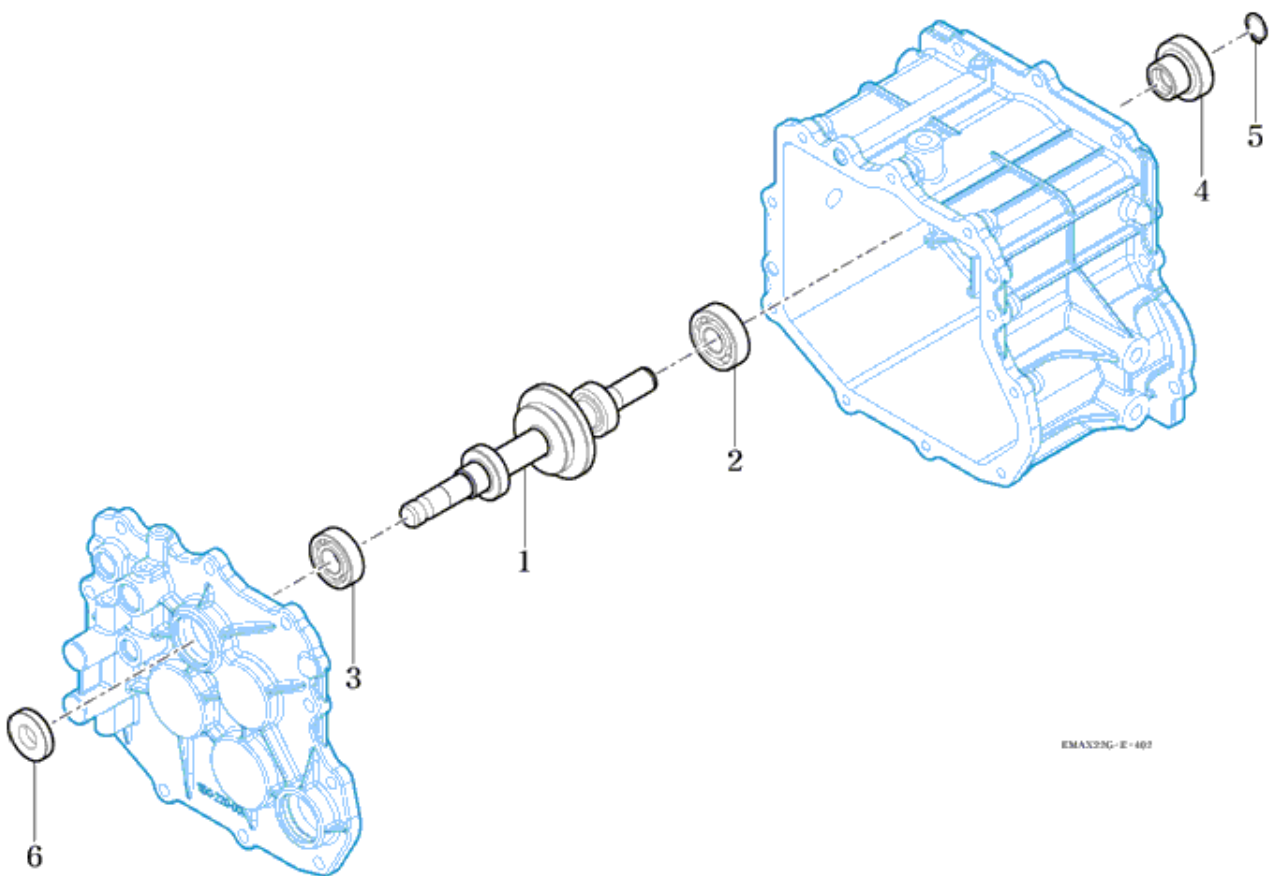
FIG

TS25NCEU

INPUT GEAR

년/월
Year/Month

2021-09



EMAX22G-E-402

NOTE

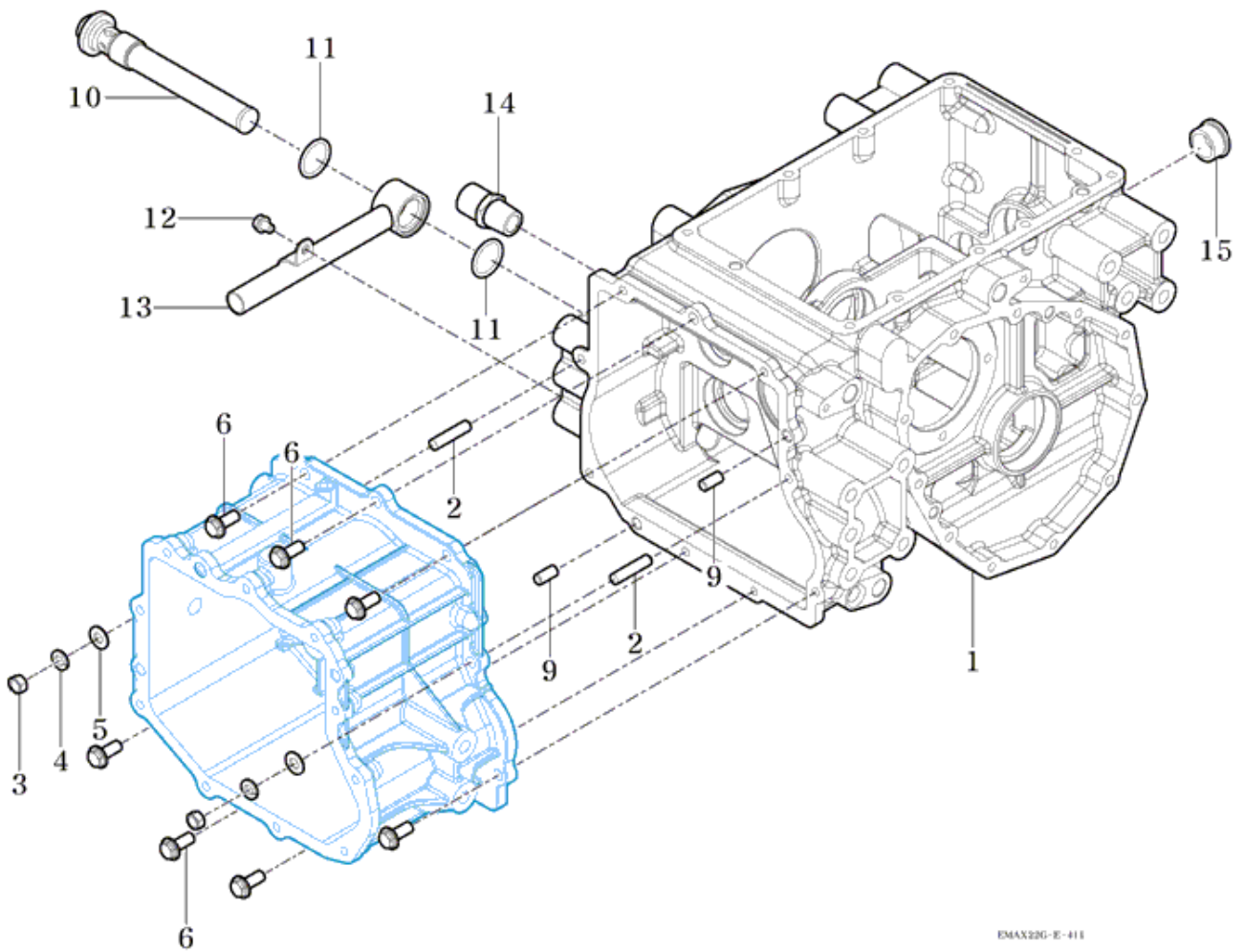
FIG

REAR TRANSMISSION CASE

년/월
Year/Month

TS25NCEU

2021-09



NOTE

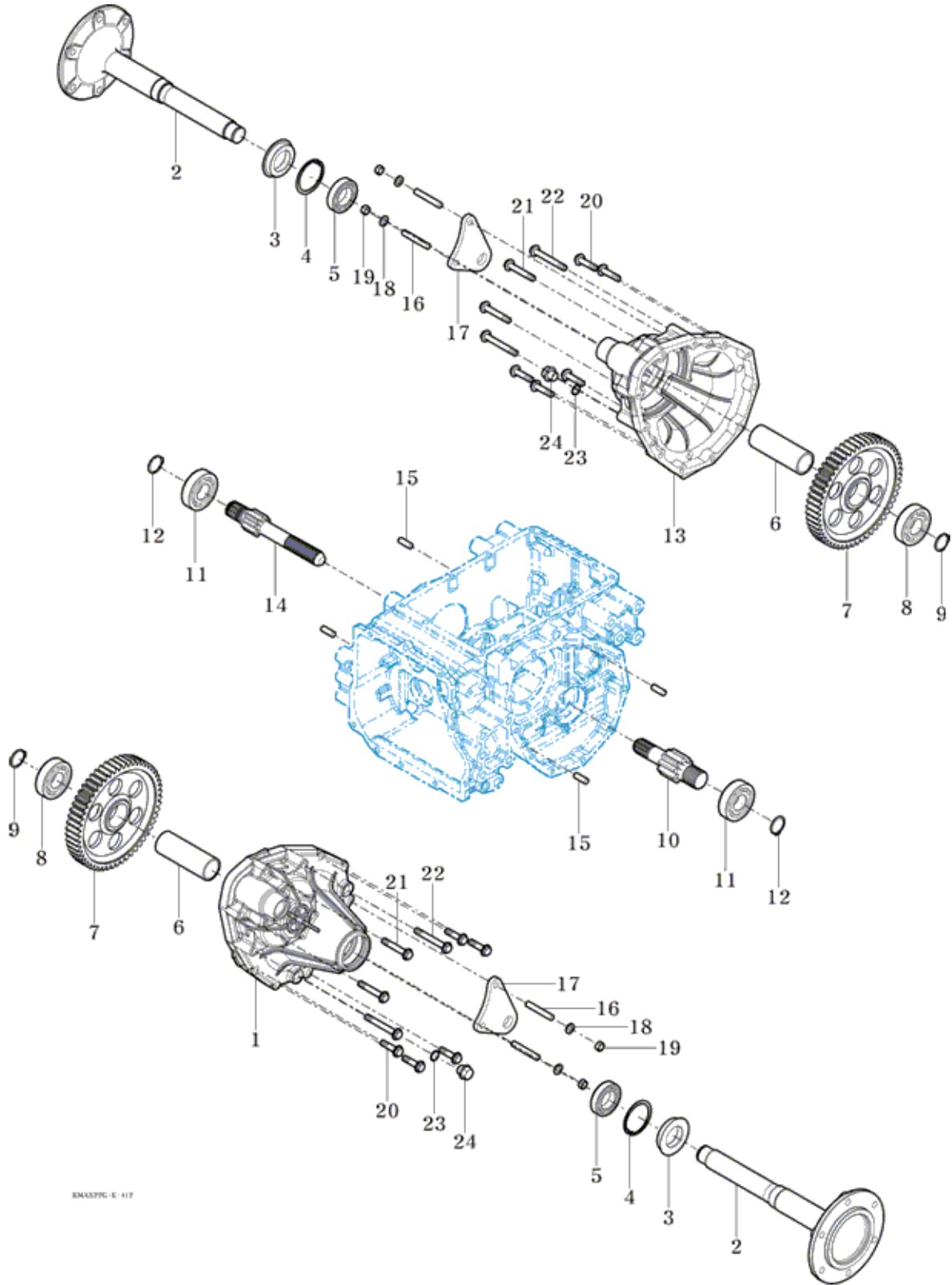
FIG

REAR AXLE HOUSING

년/월
Year/Month

TS25NCEU

2021-09



NOTE

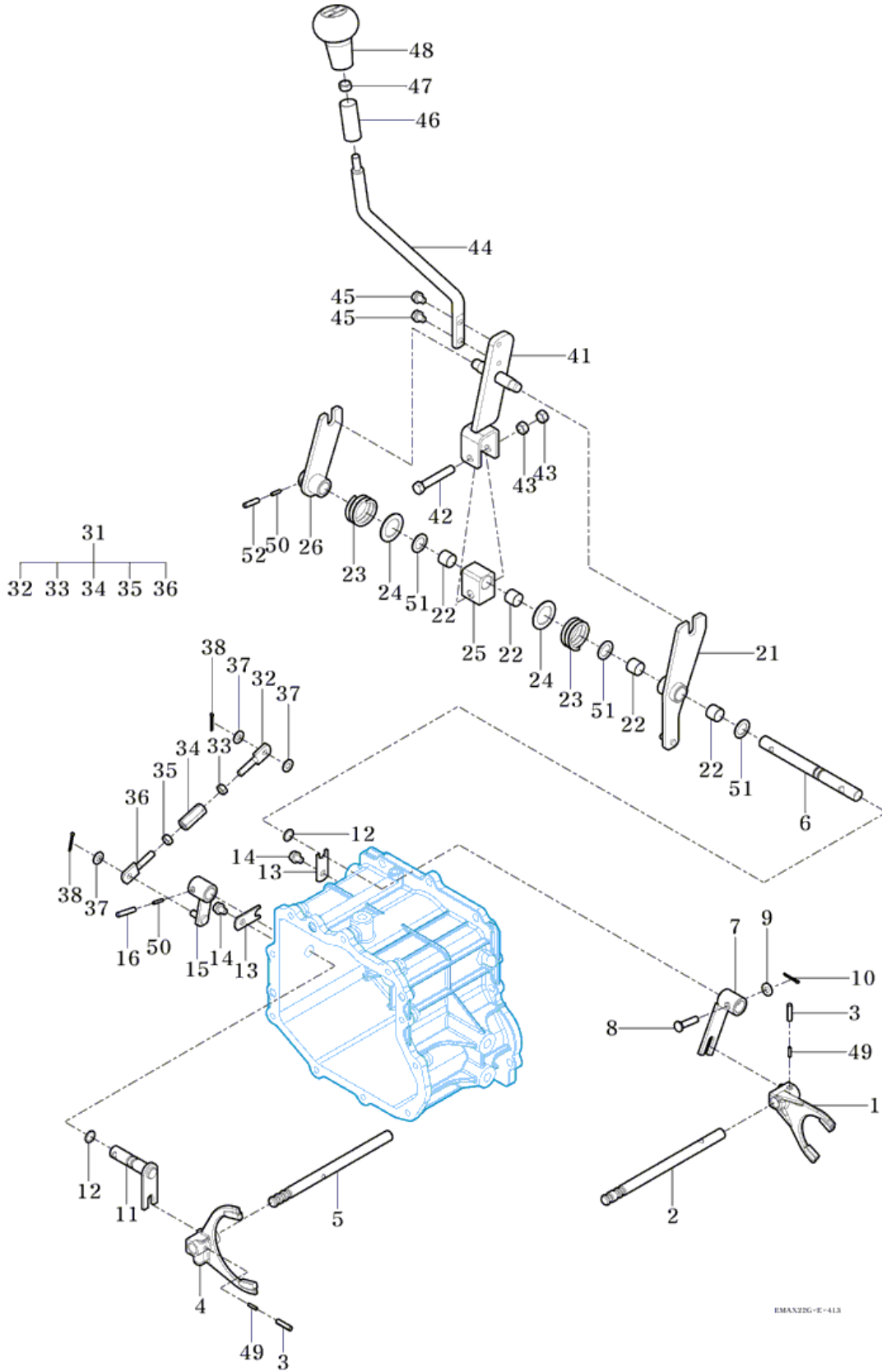
FIG

TS25NCEU

MAIN SHIFT LEVER

년/월
Year/Month

2021-09



NOTE

FIG TS25NCEU		MAIN SHIFT LEVER					년/월 Year/Month	
							2021-09	
KEY NO	PART NO	DESCRIPTION	SPEC	QTY	REPAIR	EFFECTIVE DATE		
1	11502350010M	FORK , MAIN 1-3		1				
2	11502350031	STAY , MAIN 1-3		1				
3	V5801406025	PIN , SPRING	6X25	2				
4	11502350020M	FORK , MAIN 2-R		1				
5	11502350041	STAY , MAIN 2-R		1				
6	11502350051	SHAFT , LEVER		1				
7	11502352100	HOOK COMP , MAIN 1-3		1				
8	11502350060	PIN , 8X29		1				
9	V4111600080	WASHER , PLAIN	M8	1				
10	V5001925020	PIN D2.5x20	2.5X20	1				
11	11502353100	HOOK COMP , MAIN 2-R		1				
12	V7201024012	O-RING , P	1A , P12	2				
13	16702230371	PLATE		2				
14	V2173608012	BOLT , HEX/S	M8X12	2				
15	11502353200	ARM COMP , MAIN 2-R		1				
16	V5801406032	PIN , SPRING	6X32	1				
21	11502353300	LINK COMP , MAIN 2-R		1				
22	15603142910	BUSH , 16X18X15		4				
23	11502350090	SPRING , HC20		2				
24	15642750070	WASHER , 27X40X2		2				
25	11502350120	HUB , MAIN		1				
26	11502352301	LINK COMP , MAIN 1-3		1				
31	11502355000	ROD ASSY , MAIN		1				
32	11502355100	LOD COMP , LH		1				
33	15601320073	NUT , HEX LH	M8 , LH	1				
34	11502355010	TURNBUCKLE , M8 L38		1				
35	V3042600080	NUT , HEX/2	M8	1				
36	11502355200	ROD COMP , RH		1				
37	V4111600080	WASHER , PLAIN	M8	3				
38	V5001925020	PIN D2.5x20	2.5X20	2				
41	11502354202	LEVER COMP , MAIN		1				
42	V2013610060	BOLT , HEX	M10X60	1				
43	V3042600100	NUT , HEX/2	M10	2				
44	11502360010GB	LEVER , MAIN		1				
45	V2173608020	BOLT , HEX/S	M8X20	2				
46	11503160030	TUBE		1				
47	V3342600100	NUT , HEX FINE/2	M10	1				
48	11502442400	GRIP COMP , MAIN SHIFTER		1				
49	11502350140	PIN , SPRING		2				
50	11502350150	PIN , SPRING		2				
51	11502350110	WASHER		3				
52	V5801406032	PIN , SPRING	6X32	1				
NOTE								

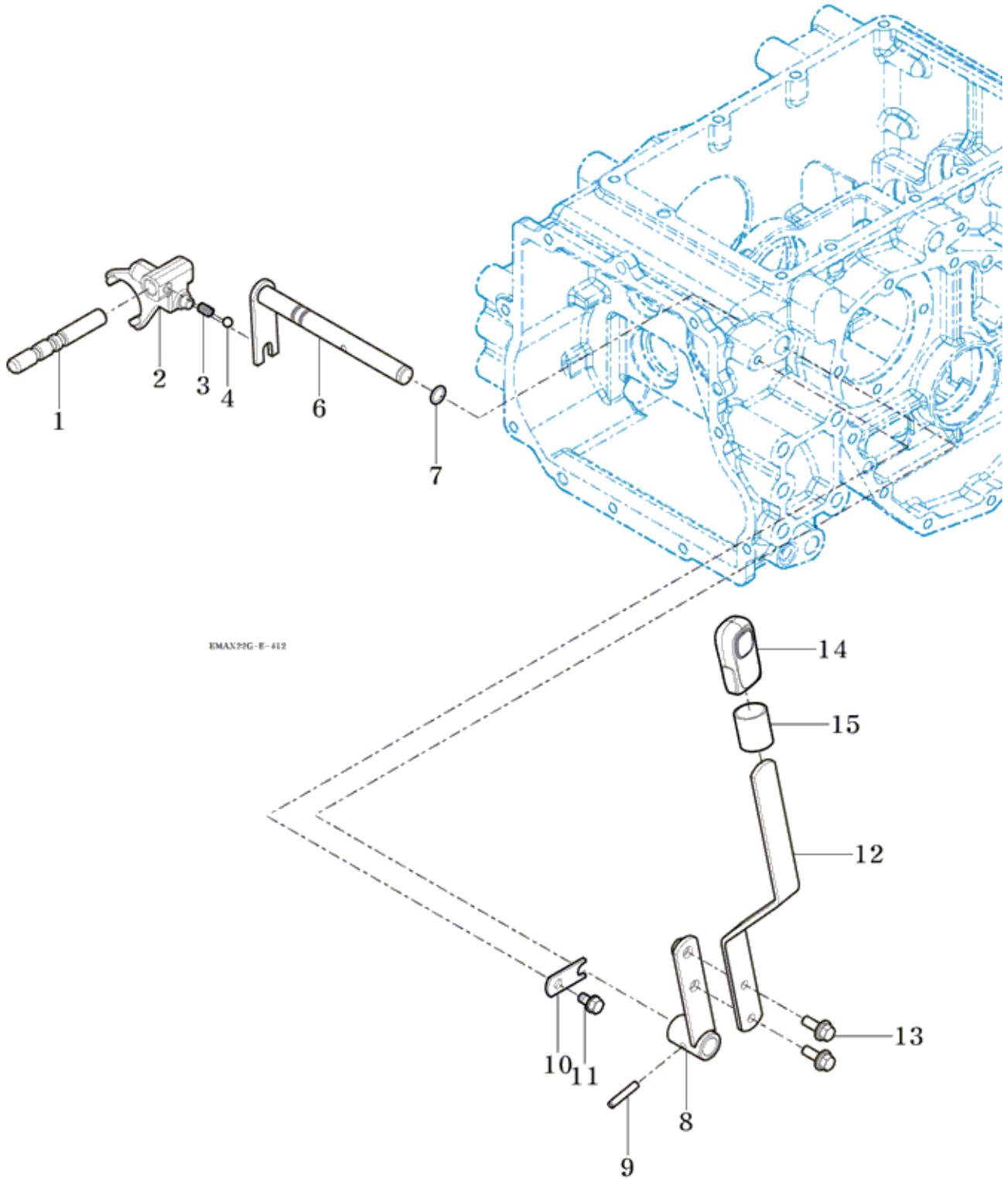
FIG

RANGE SHIFT LEVER

년/월
Year/Month

TS25NCEU

2021-09



NOTE

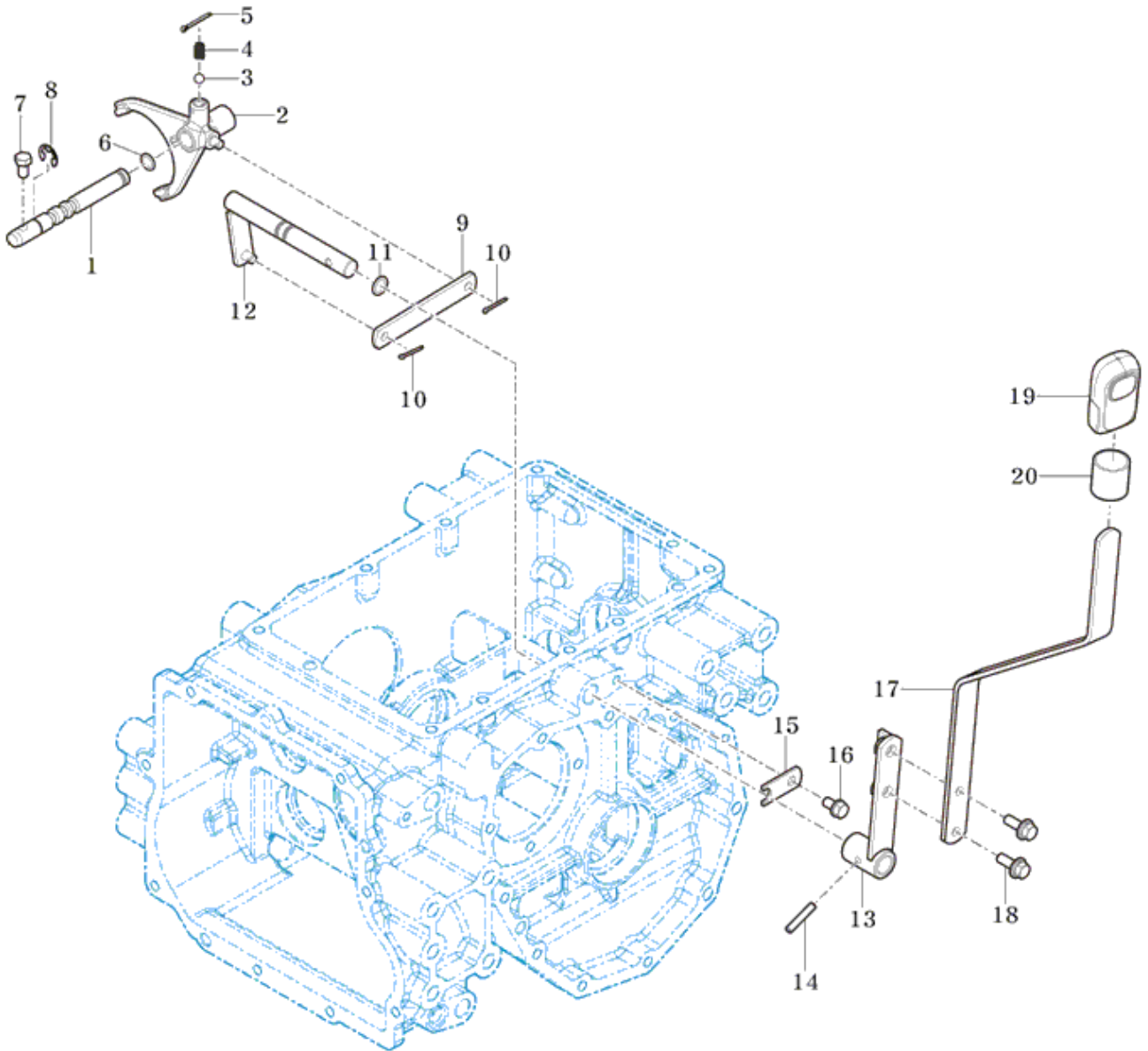
FIG

P.T.O CHANGE LEVER

년/월
Year/Month

TS25NCEU

2021-09



NOTE

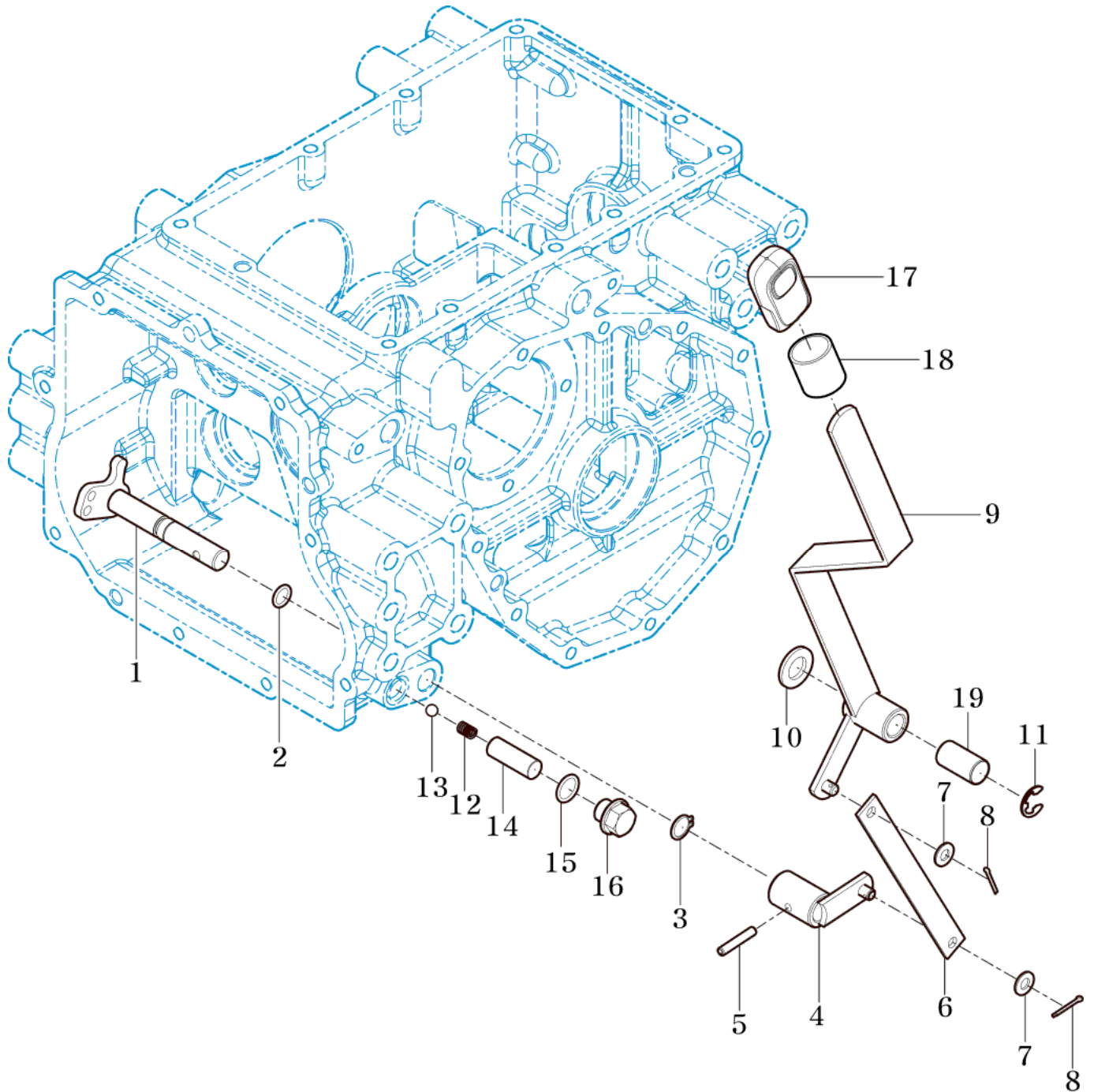
FIG

4WD CHANGE LEVER

년/월
Year/Month

TS25NCEU

2021-09



NOTE

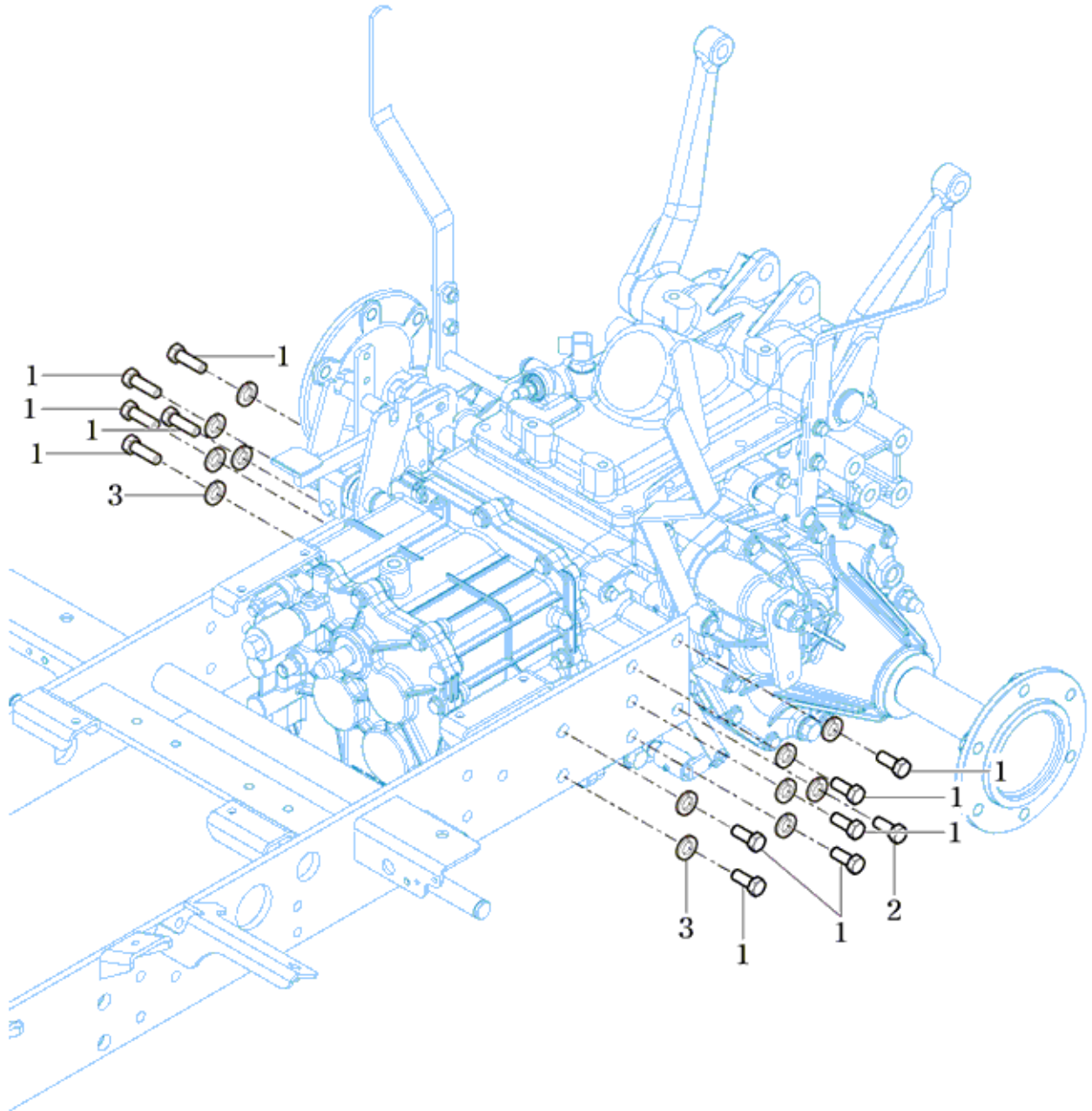
FIG

TRANSMISSION MOUNTING

년/월
Year/Month

TS25NCEU

2021-09



EMAN2PG-E-417

NOTE

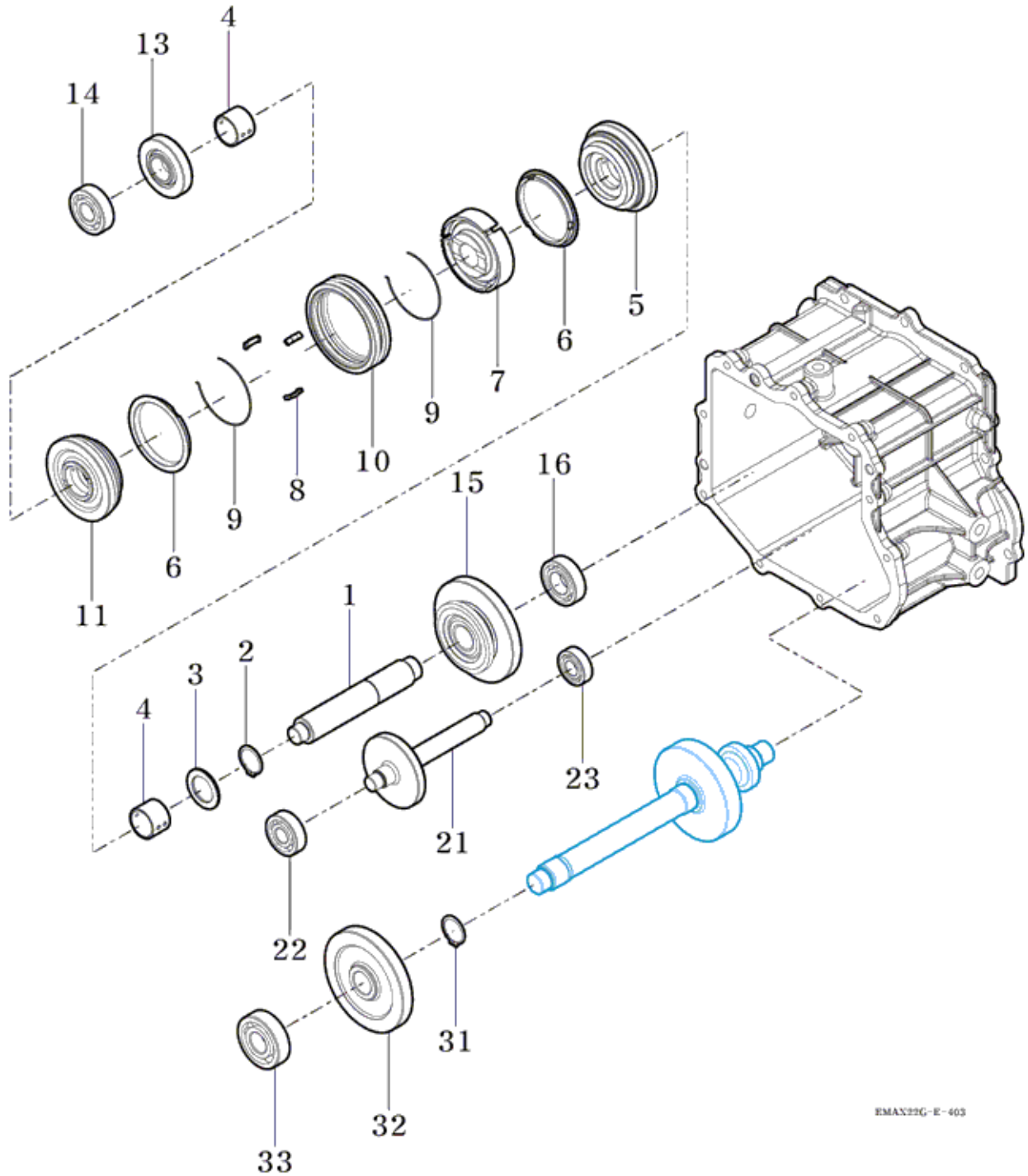
FIG

MAIN SHIFT GEAR

년/월
Year/Month

TS25NCEU

2021-09



RMAX22G-E-403

NOTE

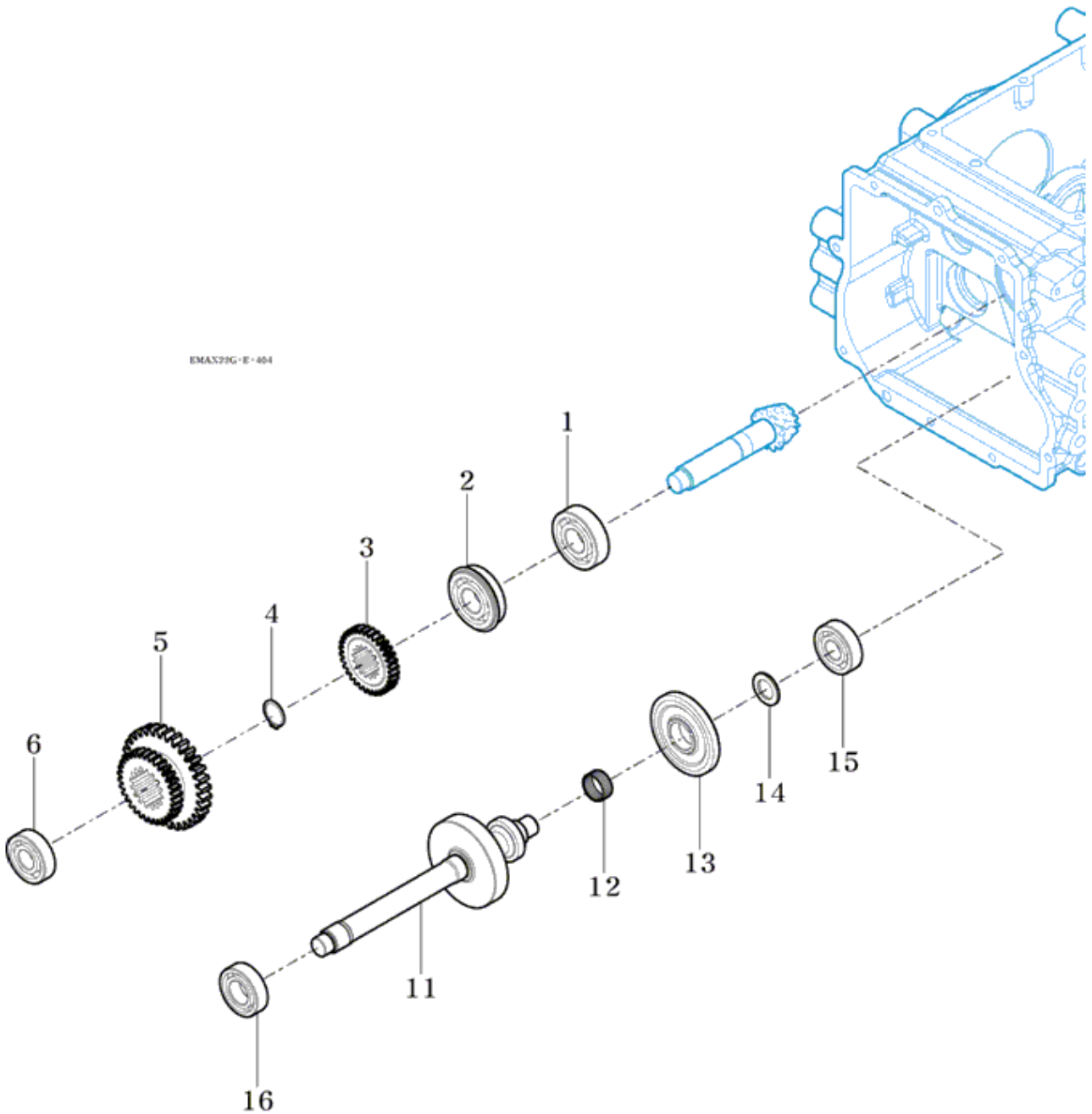
FIG

RANGE GEAR

년/월
Year/Month

TS25NCEU

2021-09



NOTE

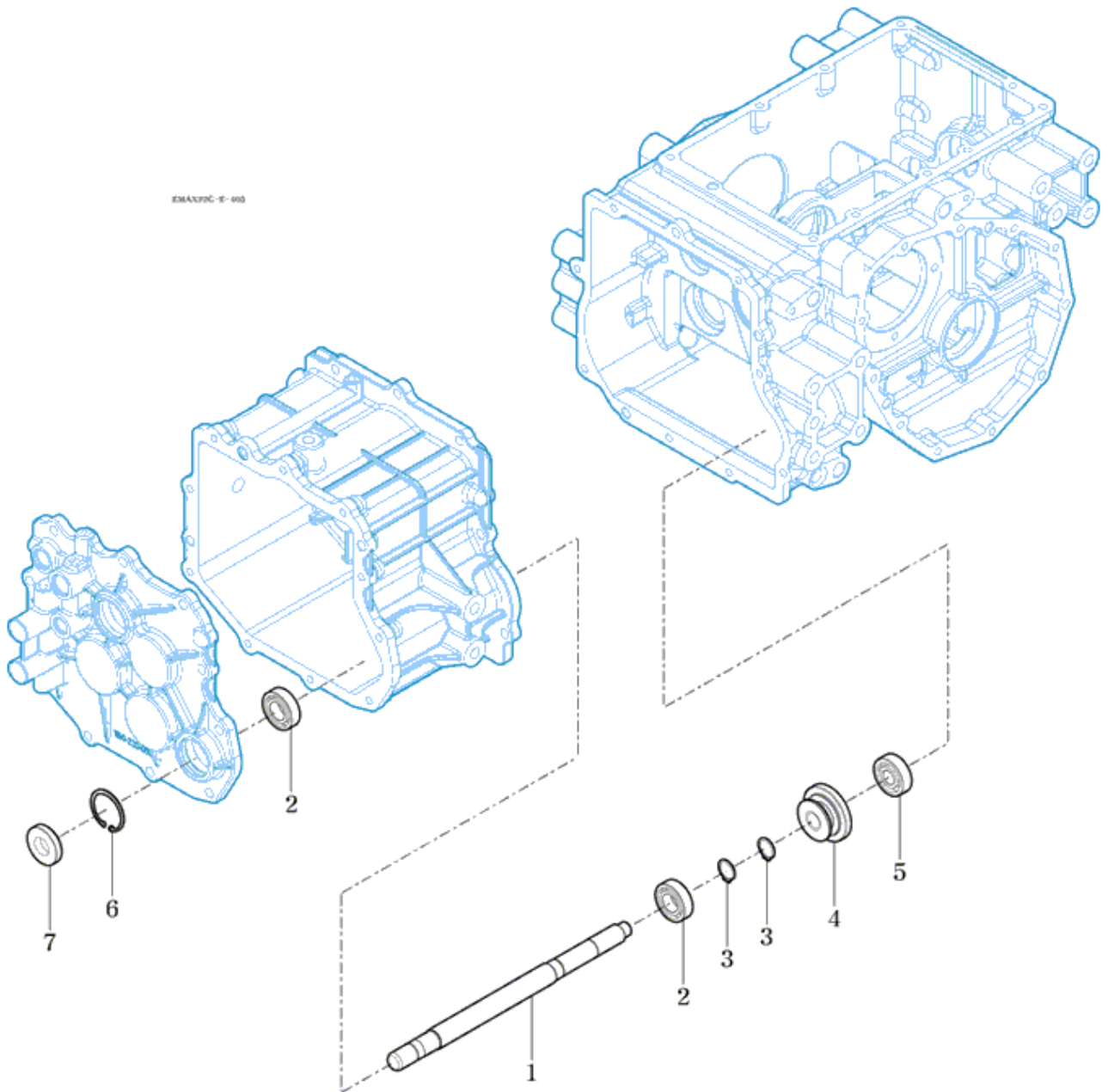
FIG

4WD DRIVE GEAR

년/월
Year/Month

TS25NCEU

2021-09



NOTE

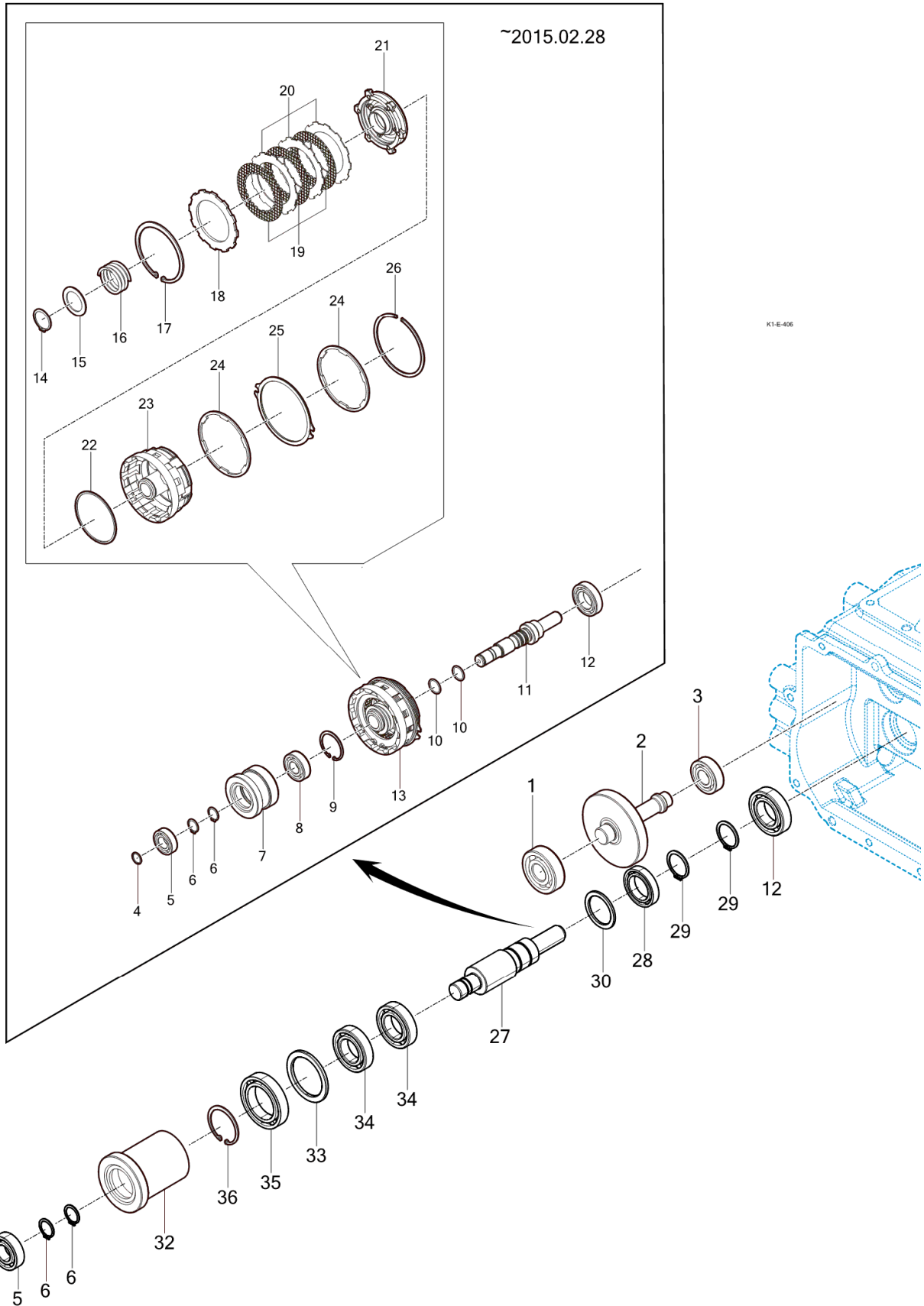
FIG

P.T.O DRIVE SHAFT

년/월
Year/Month

TS25NCEU

2021-09



NOTE

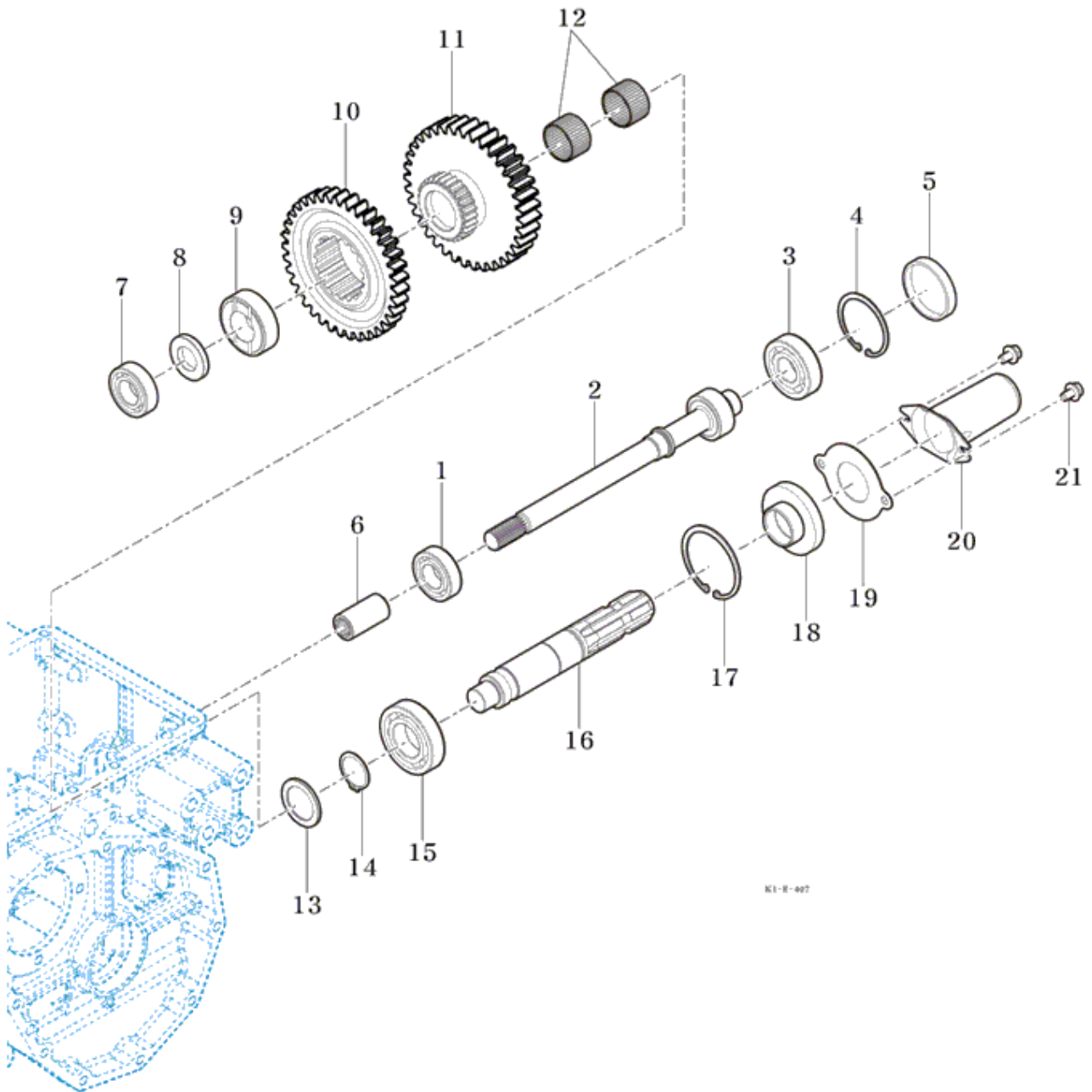
FIG

TS25NCEU

P.T.O SHAFT

년/월
Year/Month

2021-09



K1-B-007

NOTE

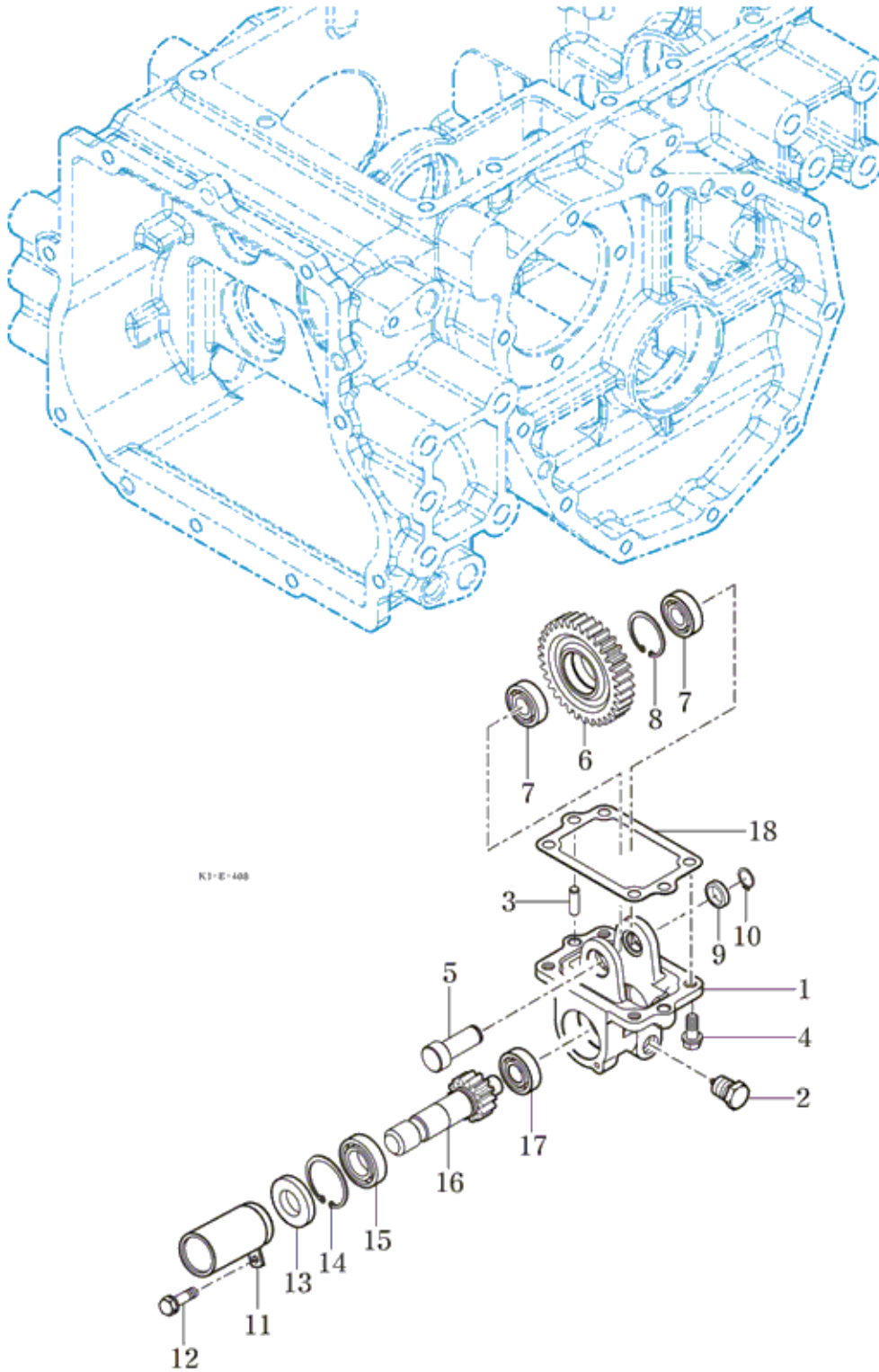
FIG

MID P.T.O GEAR

년/월
Year/Month

TS25NCEU

2021-09



NOTE

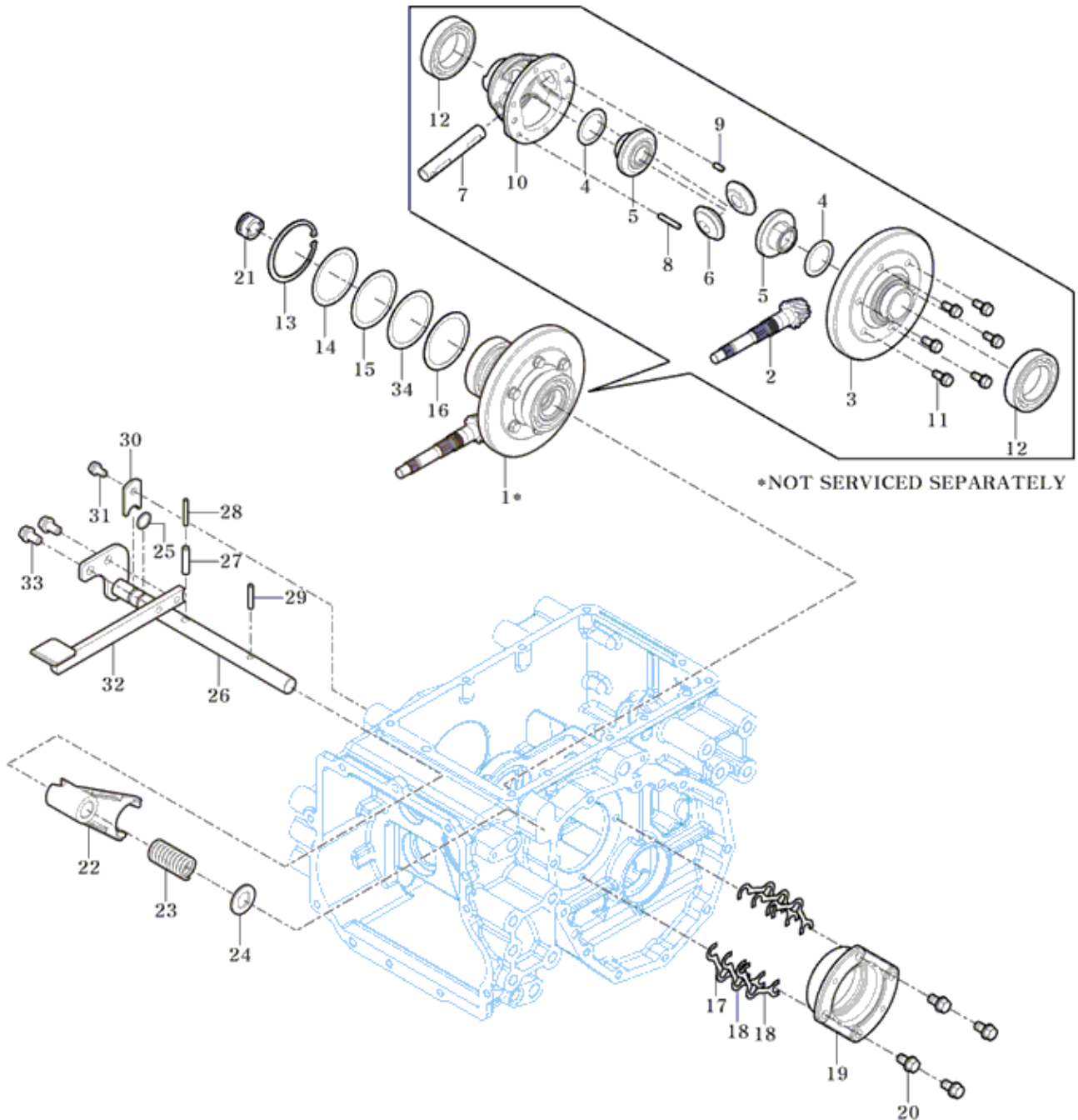
FIG

DIFF LOCK

년/월
Year/Month

TS25NCEU

2021-09



NOTE

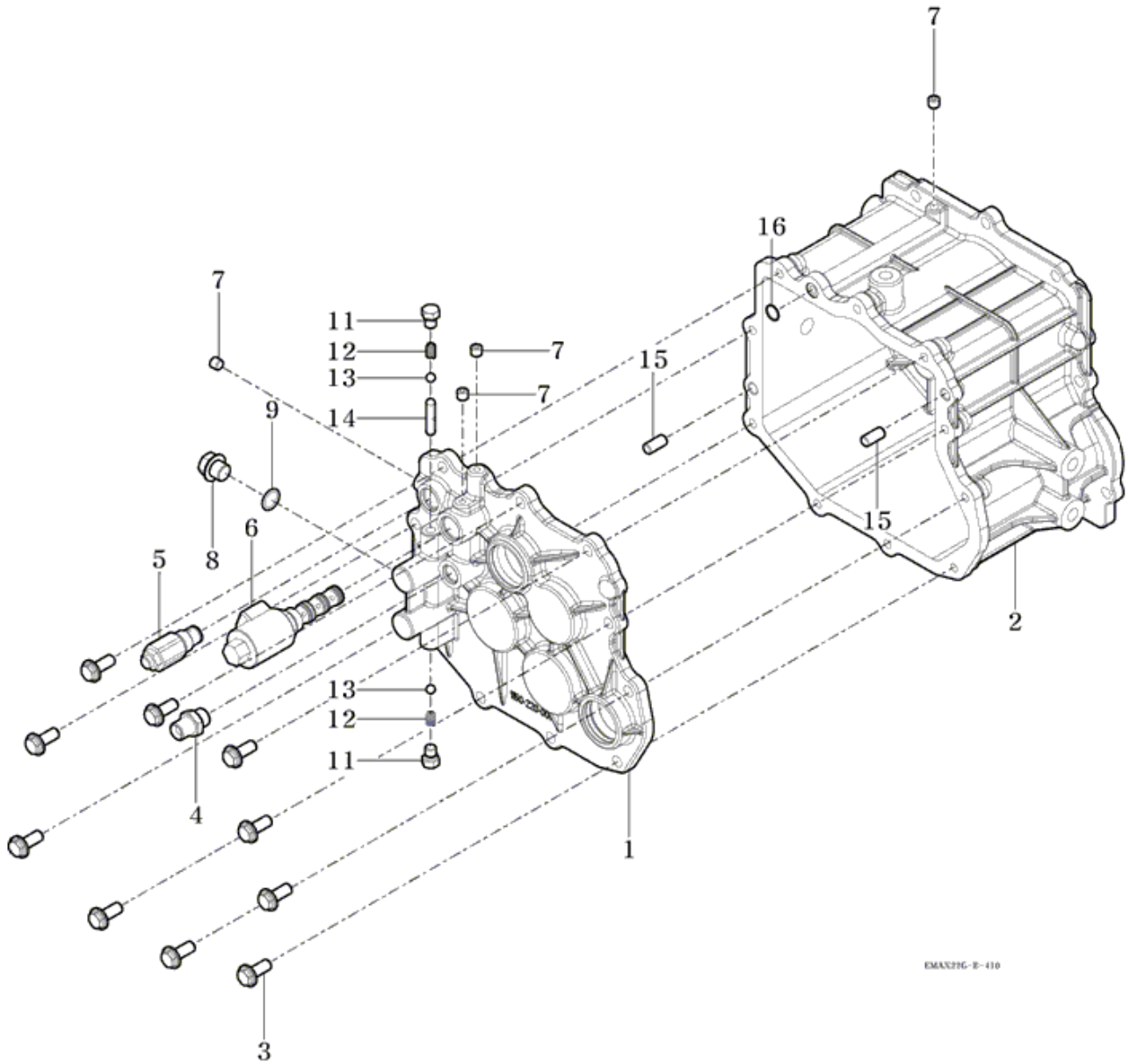
FIG

TS25NCEU

MID TRANSMISSION CASE

년/월
Year/Month

2021-09



NOTE

5. Front Axle PART NO. T5

FIG FRONT DRIVE SHAFT	131
FIG FRONT DIFFERENTIAL GEAR	133
FIG FRONT AXLE HOUSING	135
FIG FRONT GEAR CASE (1)	137
FIG FRONT GEAR CASE (2)	139

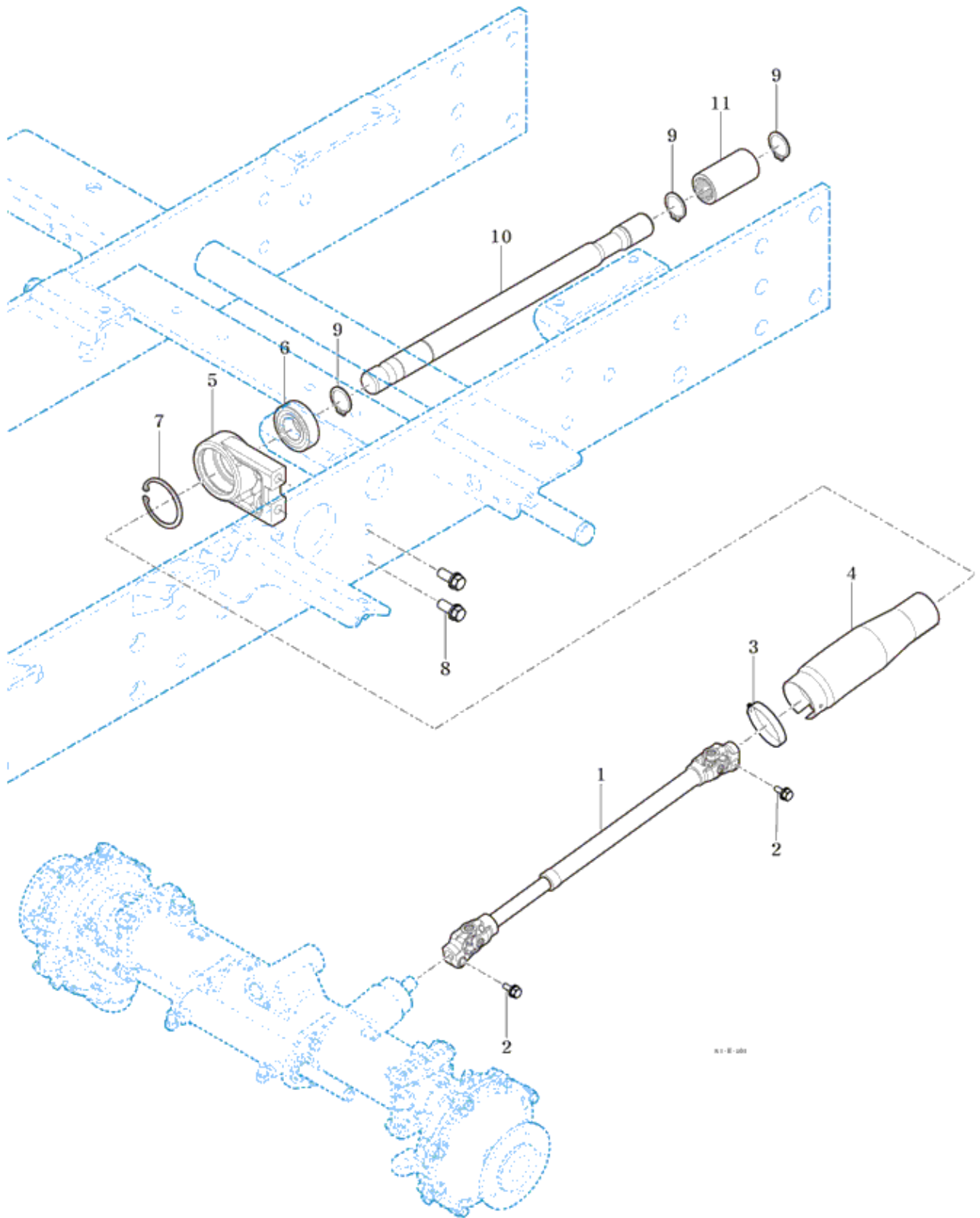
FIG

FRONT DRIVE SHAFT

년/월
Year/Month

TS25NCEU

2021-09



NOTE

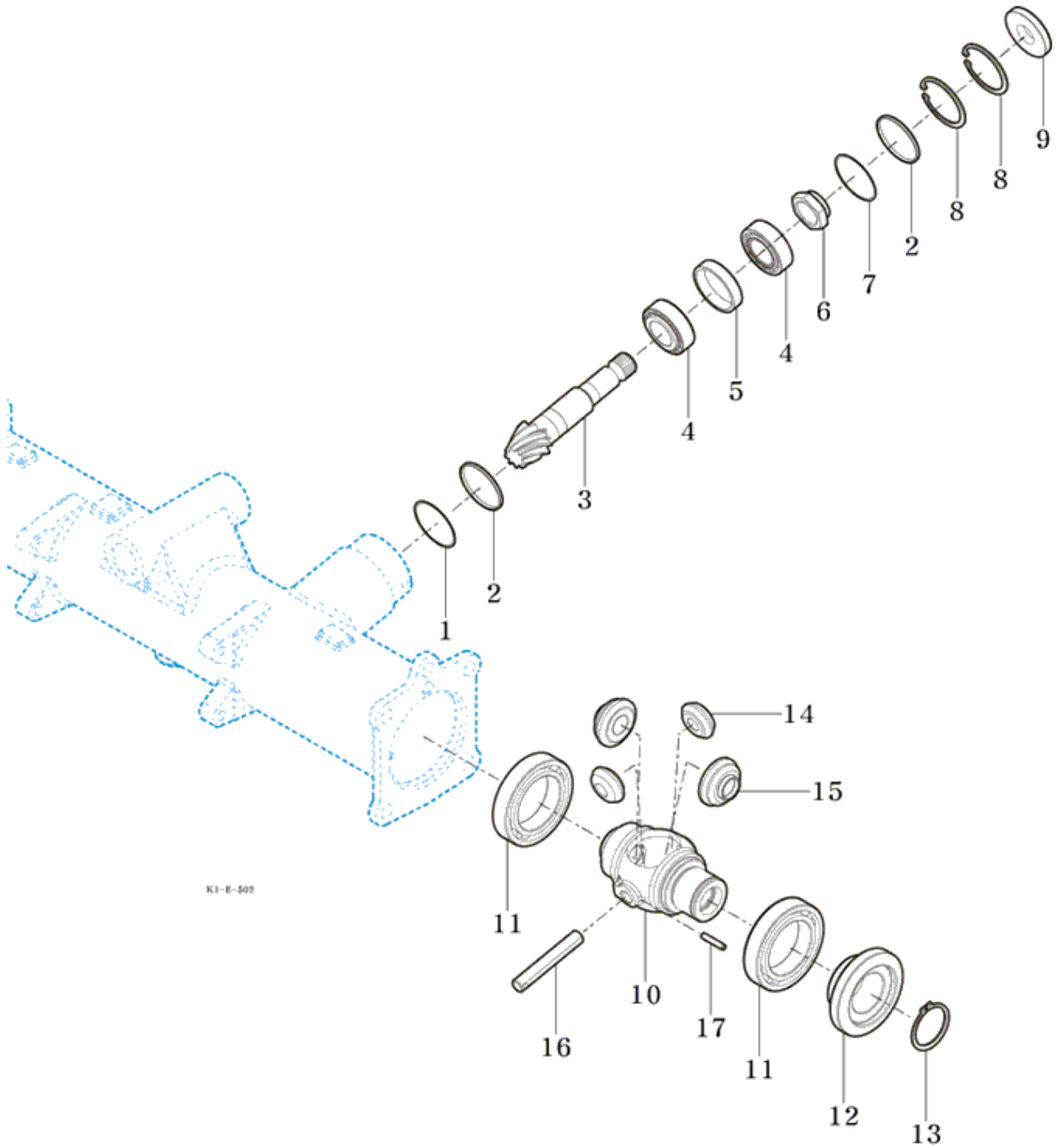
FIG

TS25NCEU

FRONT DIFFERENTIAL GEAR

년/월
Year/Month

2021-09



NOTE

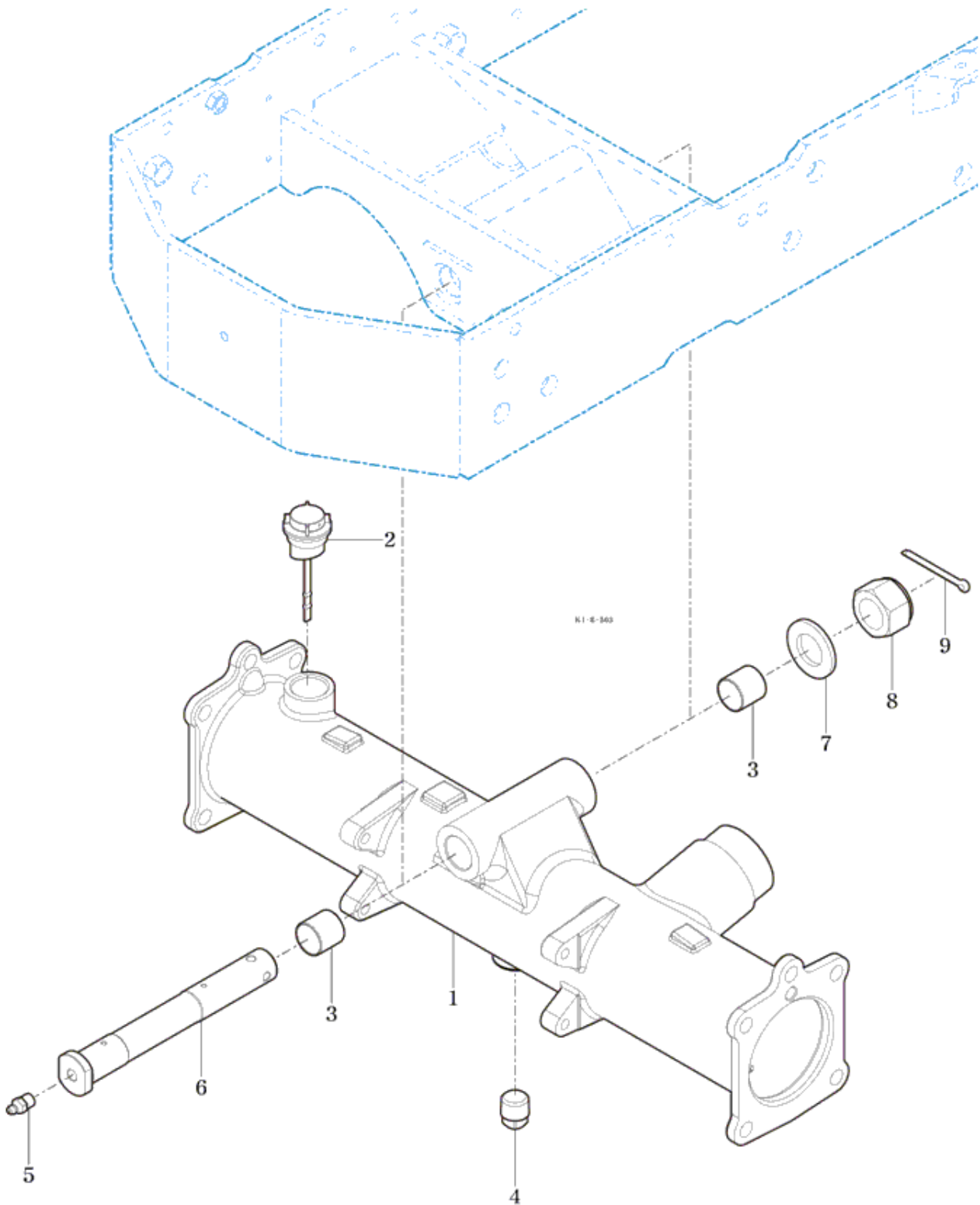
FIG

FRONT AXLE HOUSING

년/월
Year/Month

TS25NCEU

2021-09



NOTE

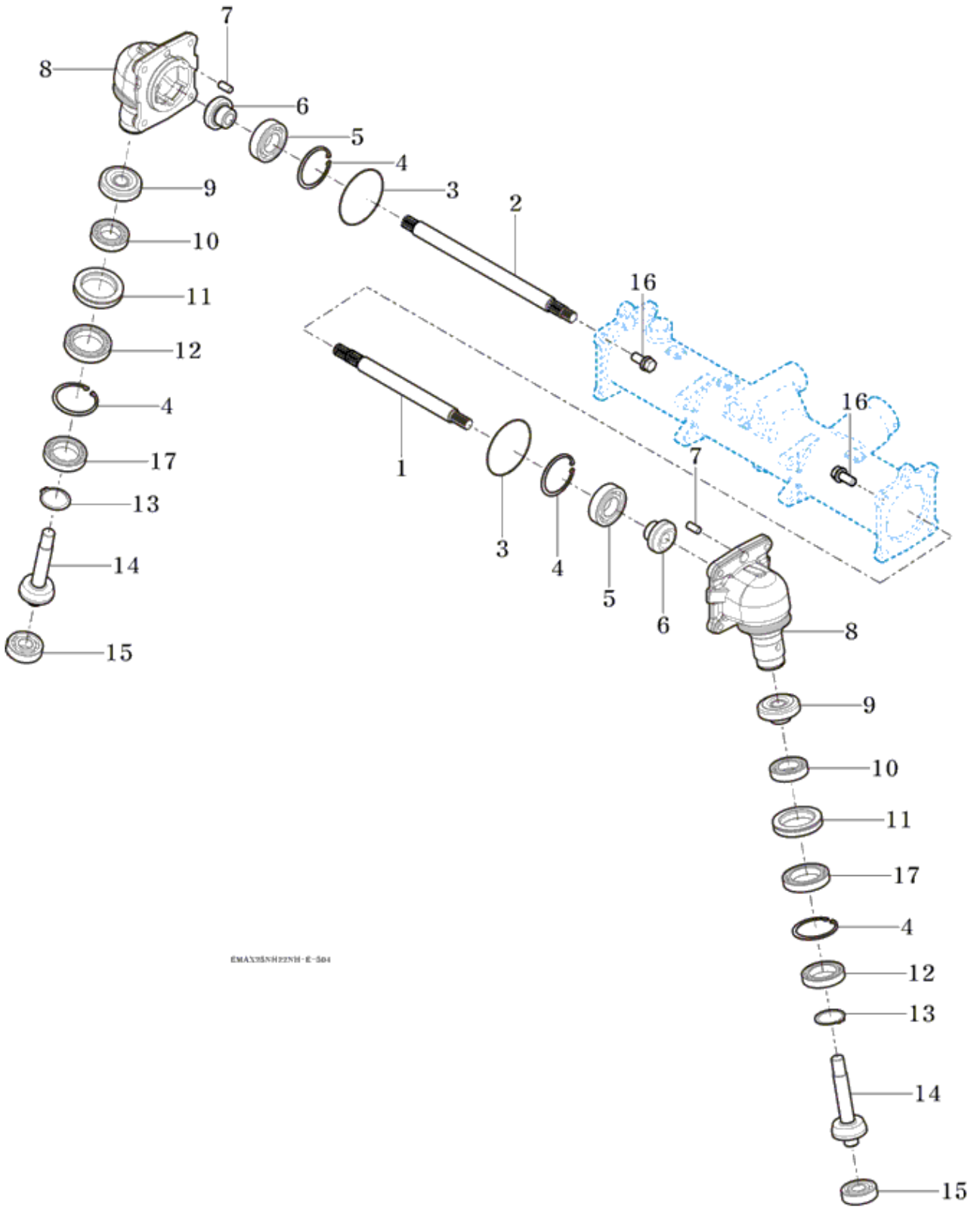
FIG

TS25NCEU

FRONT GEAR CASE (1)

년/월
Year/Month

2021-09



EMAX25NH225H-E-504

NOTE

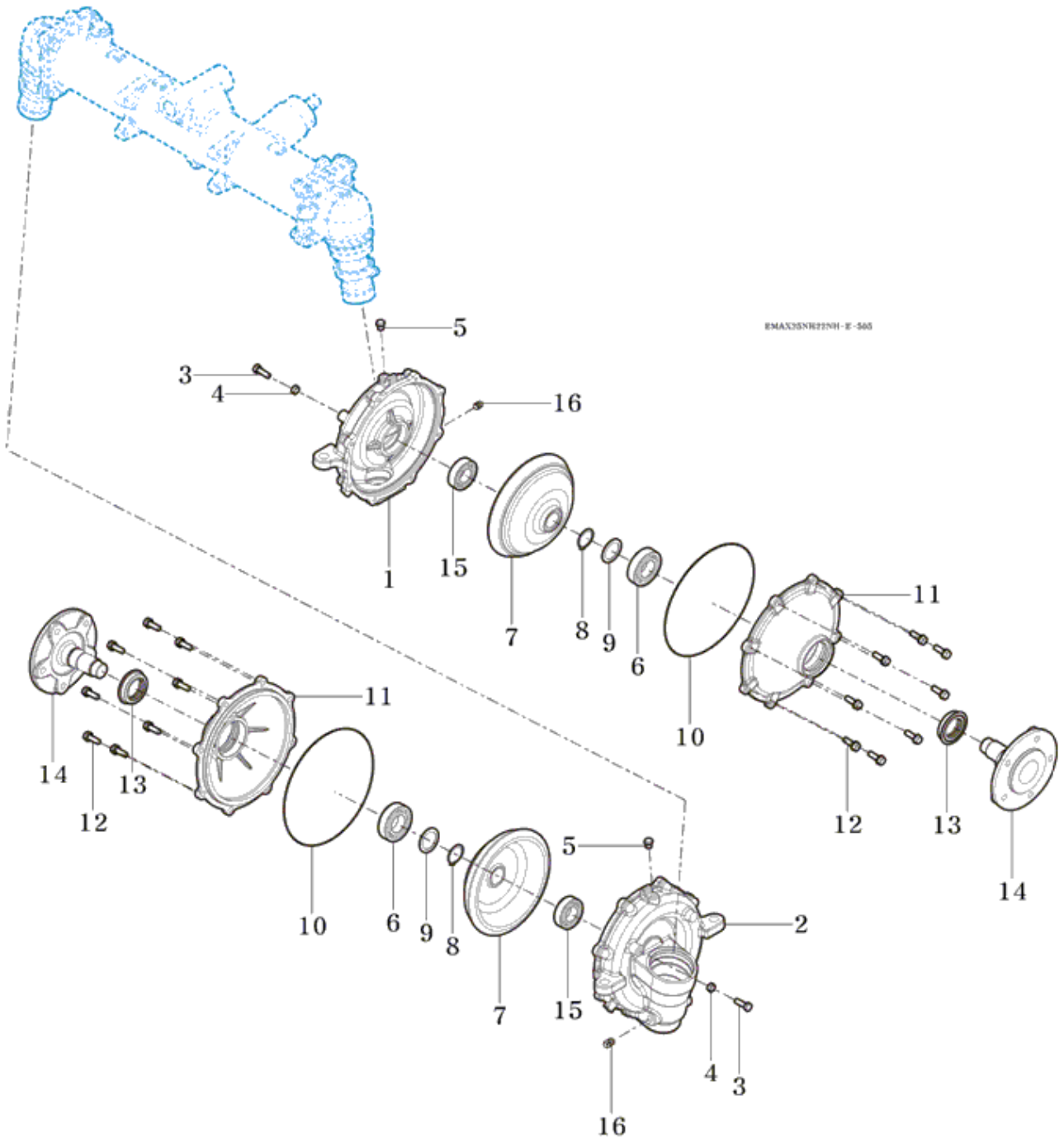
FIG

FRONT GEAR CASE (2)

년/월
Year/Month

TS25NCEU

2021-09



NOTE

6. Hydraulic/3P-Link PART NO. T6

FIG CYLINDER CASE	142
FIG LIFT ARM	144
FIG FLOW CONTROL VALVE	146
FIG MAIN CONTROL VALVE	148
FIG HYDRAULIC SUB	150
FIG HITCH & 3-POINT LINKAGE	152
FIG HITCH & COVER	154

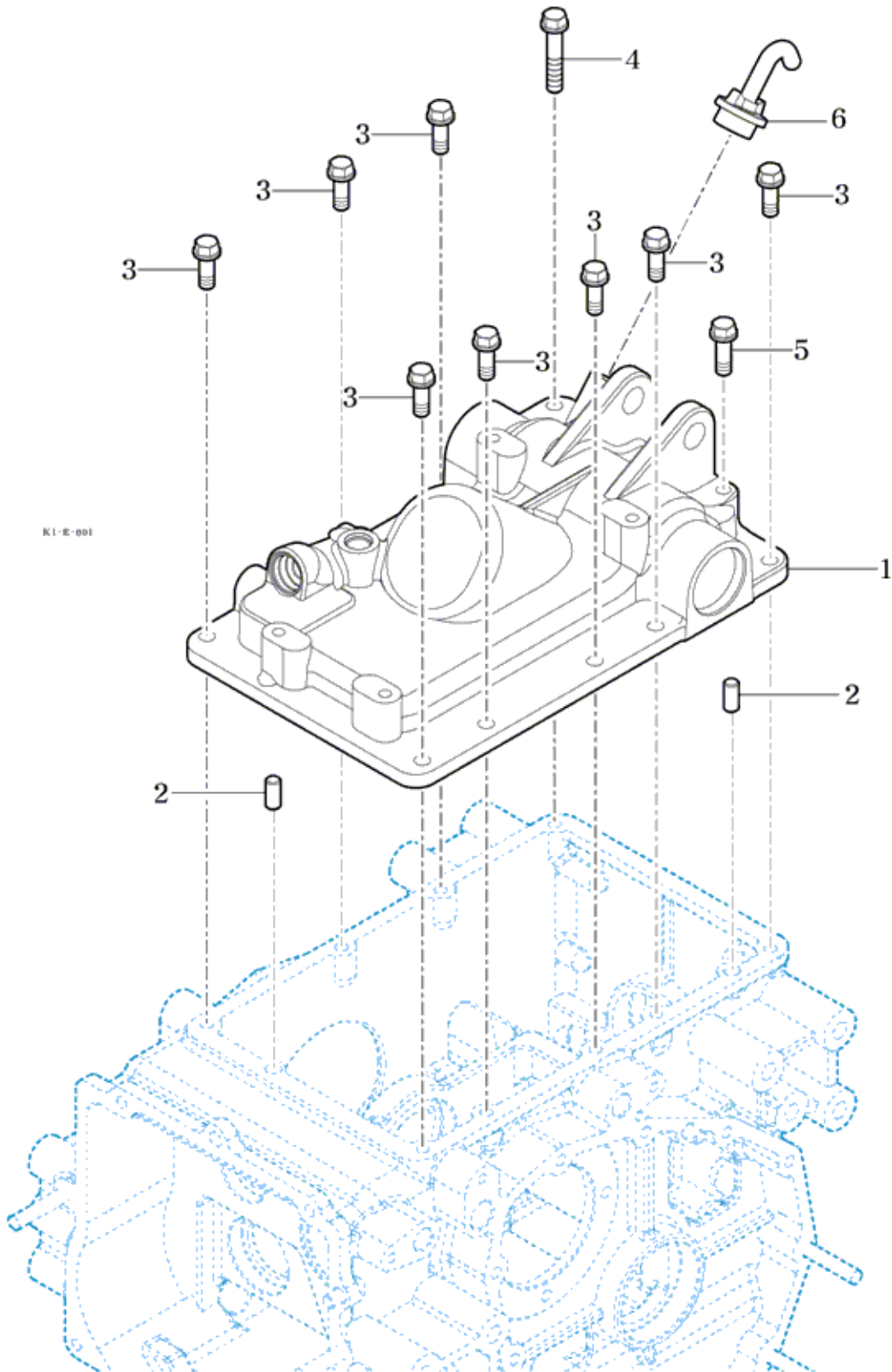
FIG

TS25NCEU

CYLINDER CASE

년/월
Year/Month

2021-09



NOTE

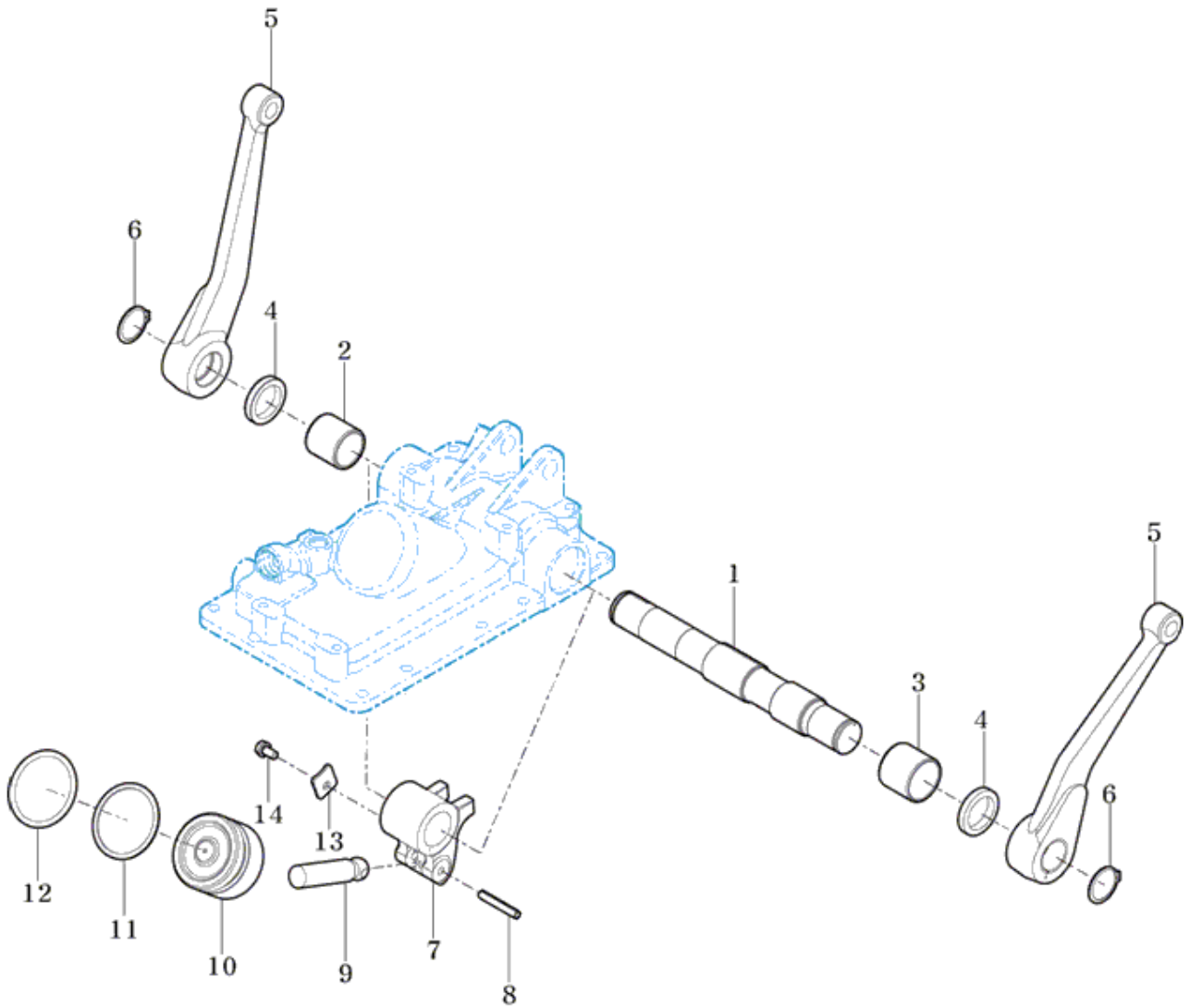
FIG

TS25NCEU

LIFT ARM

년/월
Year/Month

2021-09



NOTE

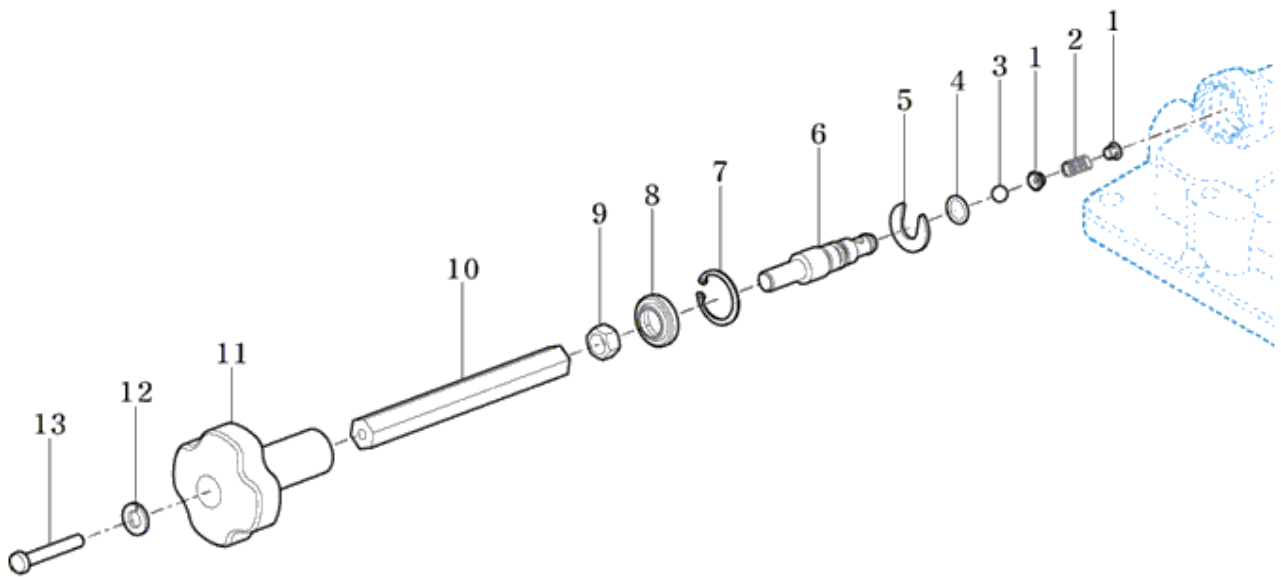
FIG

TS25NCEU

FLOW CONTROL VALVE

년/월
Year/Month

2021-09



EMAX20G-E-003

NOTE

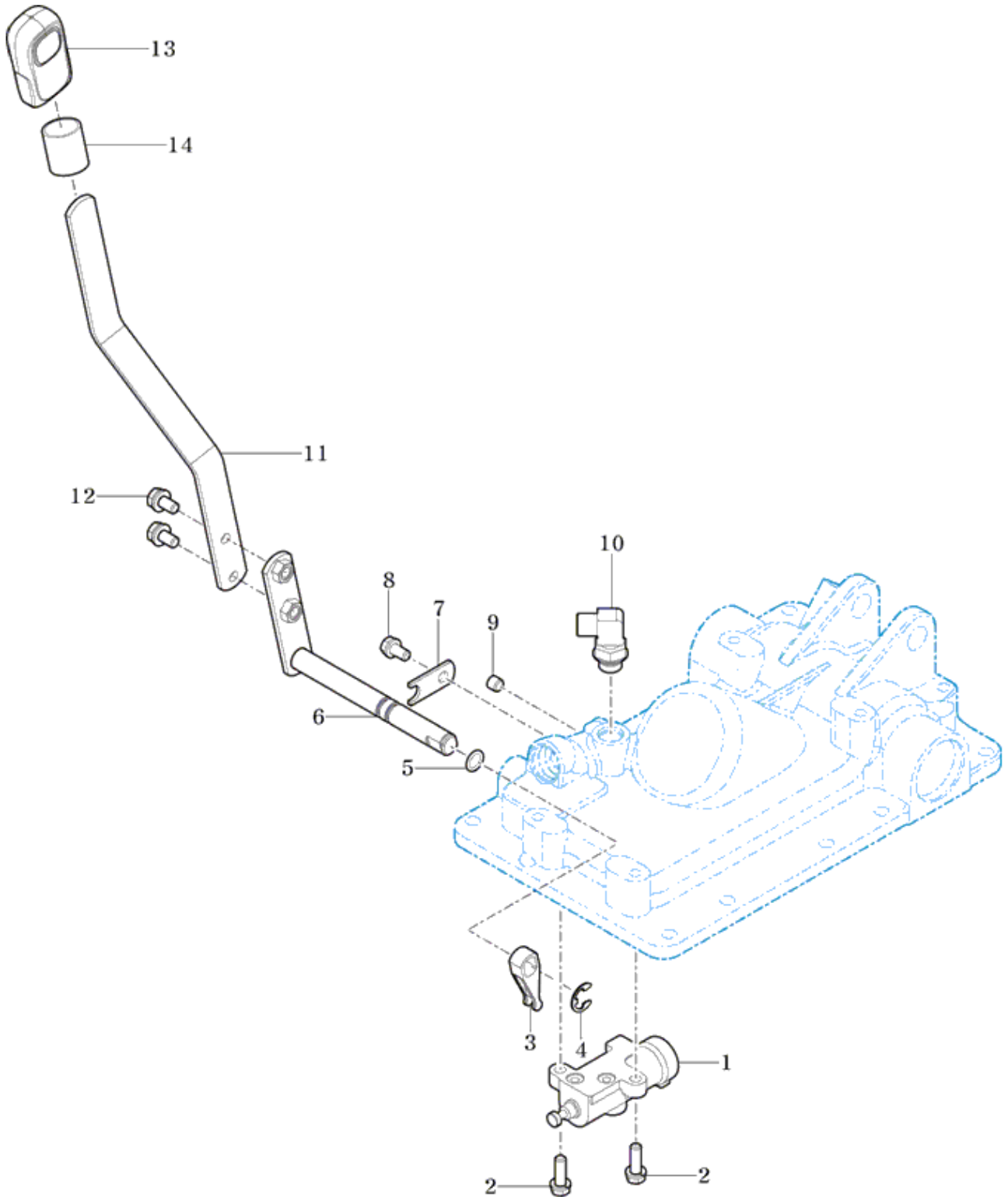
FIG

TS25NCEU

MAIN CONTROL VALVE

년/월
Year/Month

2021-09



NOTE

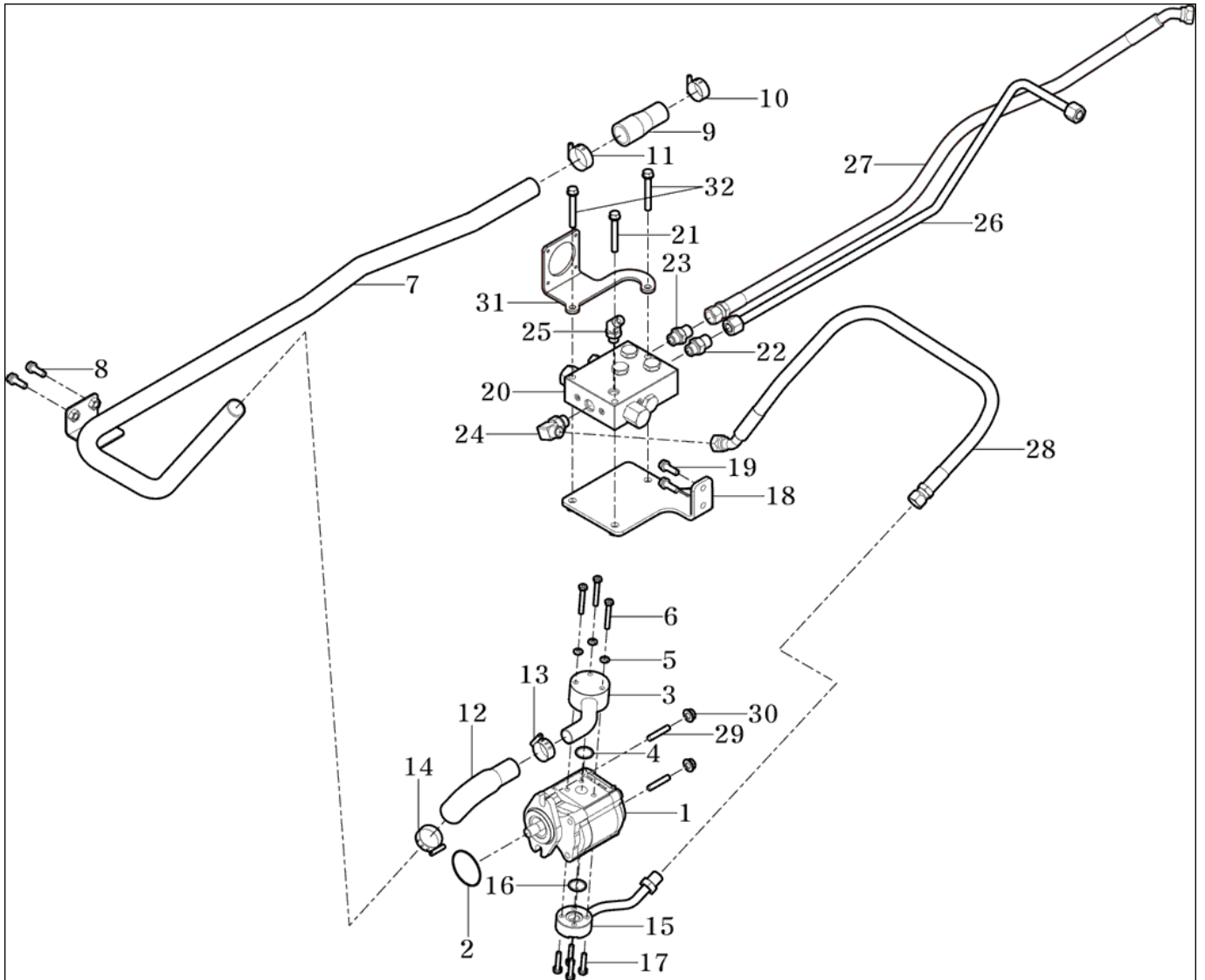
FIG

TS25NCEU

HYDRAULIC SUB

년/월
Year/Month

2021-09



NOTE

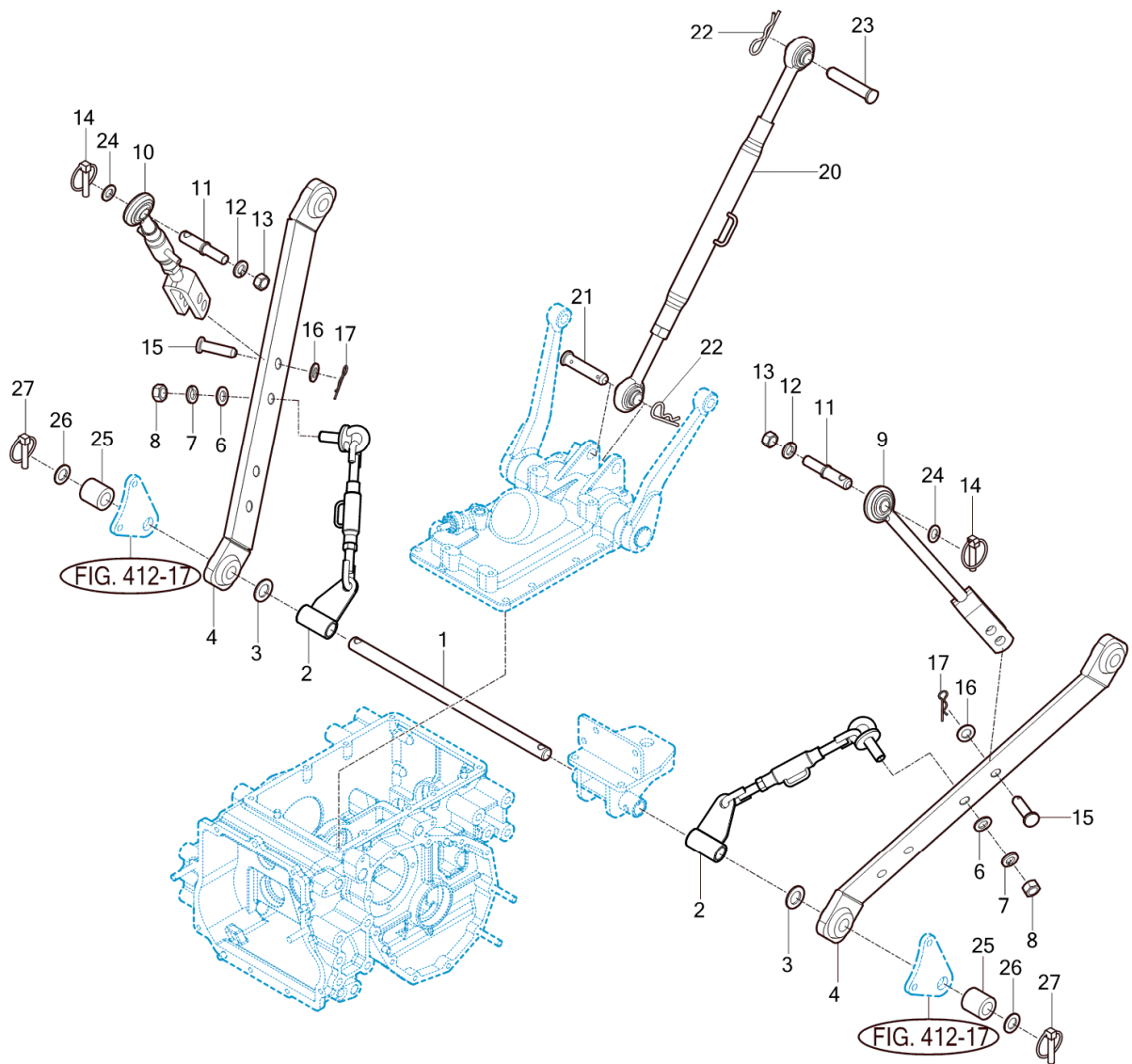
FIG

TS25NCEU

HITCH & 3-POINT LINKAGE

년/월
Year/Month

2021-09



NOTE

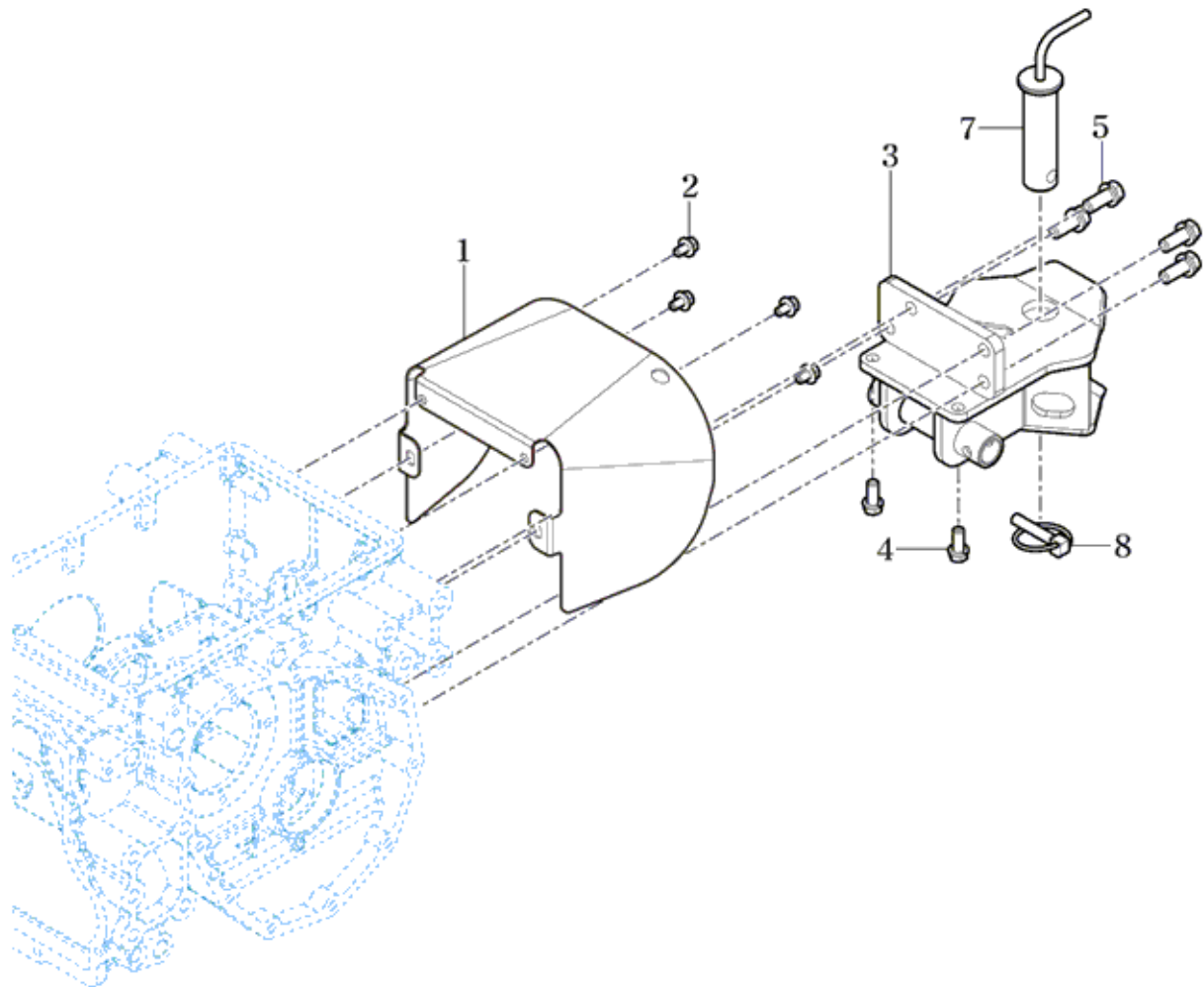
FIG

TS25NCEU

HITCH & COVER

년/월
Year/Month

2021-09



NOTE

7. Sheet Metal & Cabin PART NO. T7

FIG BONNET	157
FIG FLOOR	159
FIG SEAT	161
FIG ROPS	163
FIG LEVER COVER & FENDER	165
FIG LAMP	167
FIG BONNET	169

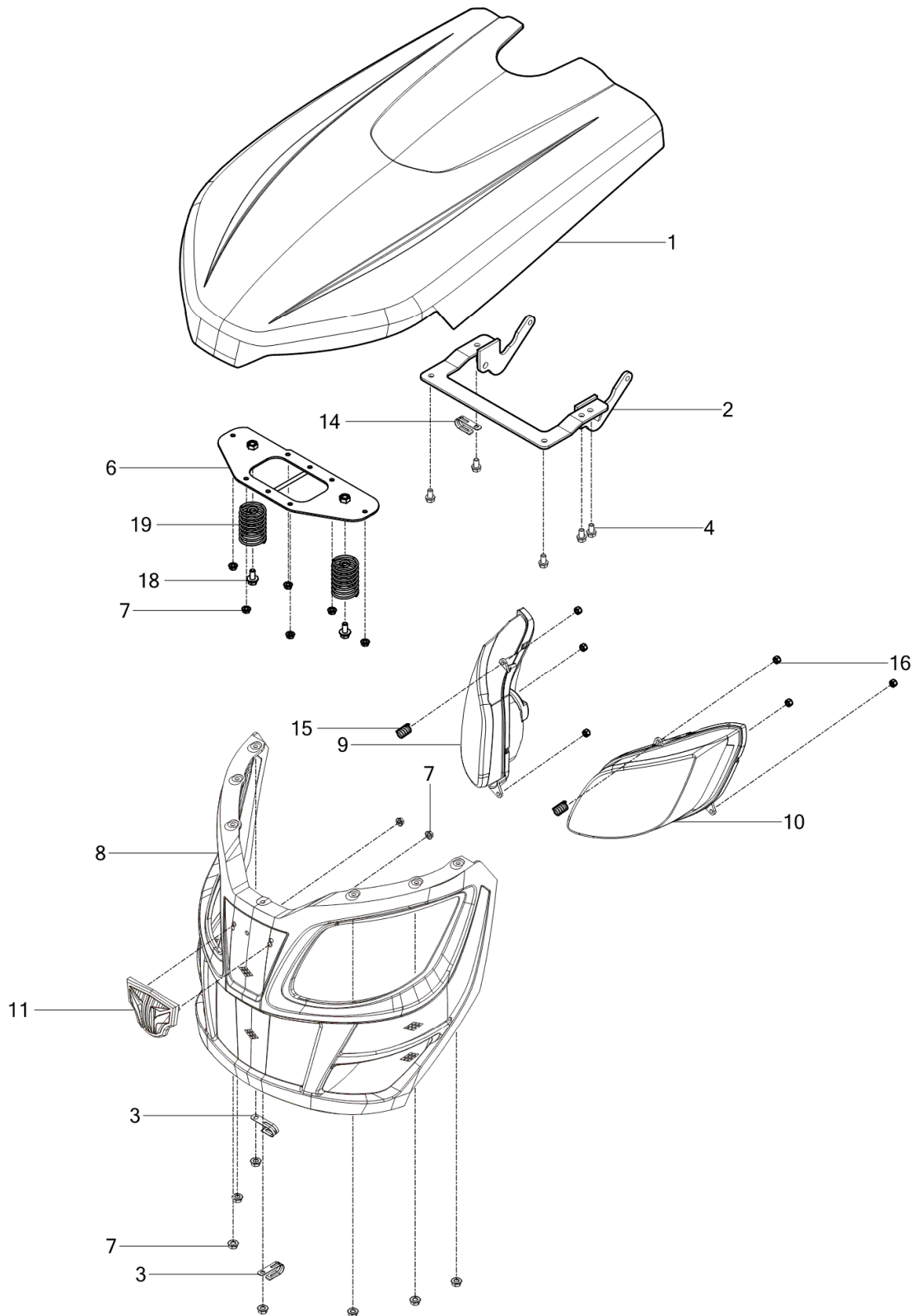
FIG

TS25NCEU

BONNET

년/월
Year/Month

2021-09



NOTE

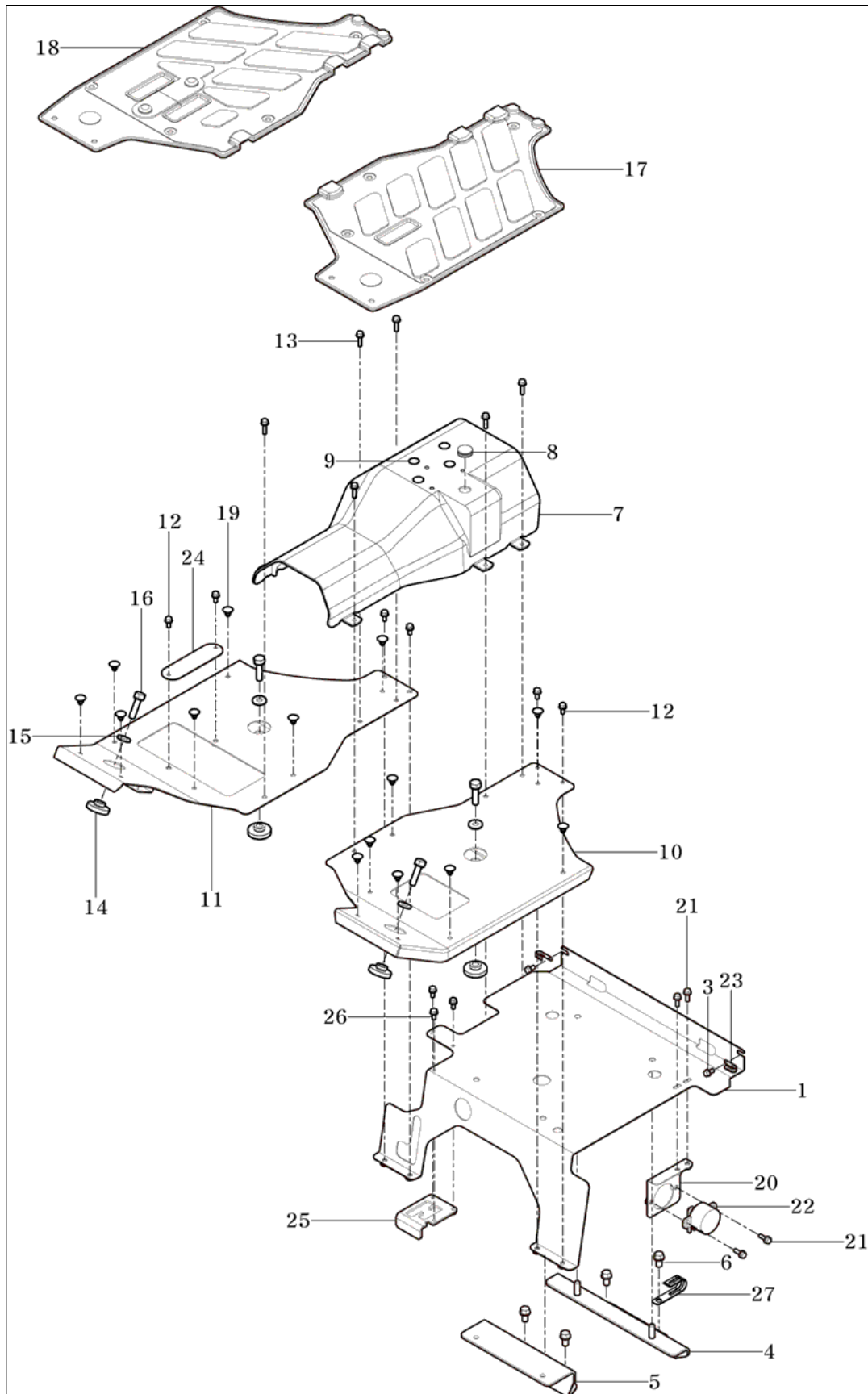
FIG

FLOOR

년/월
Year/Month

TS25NCEU

2021-09



NOTE

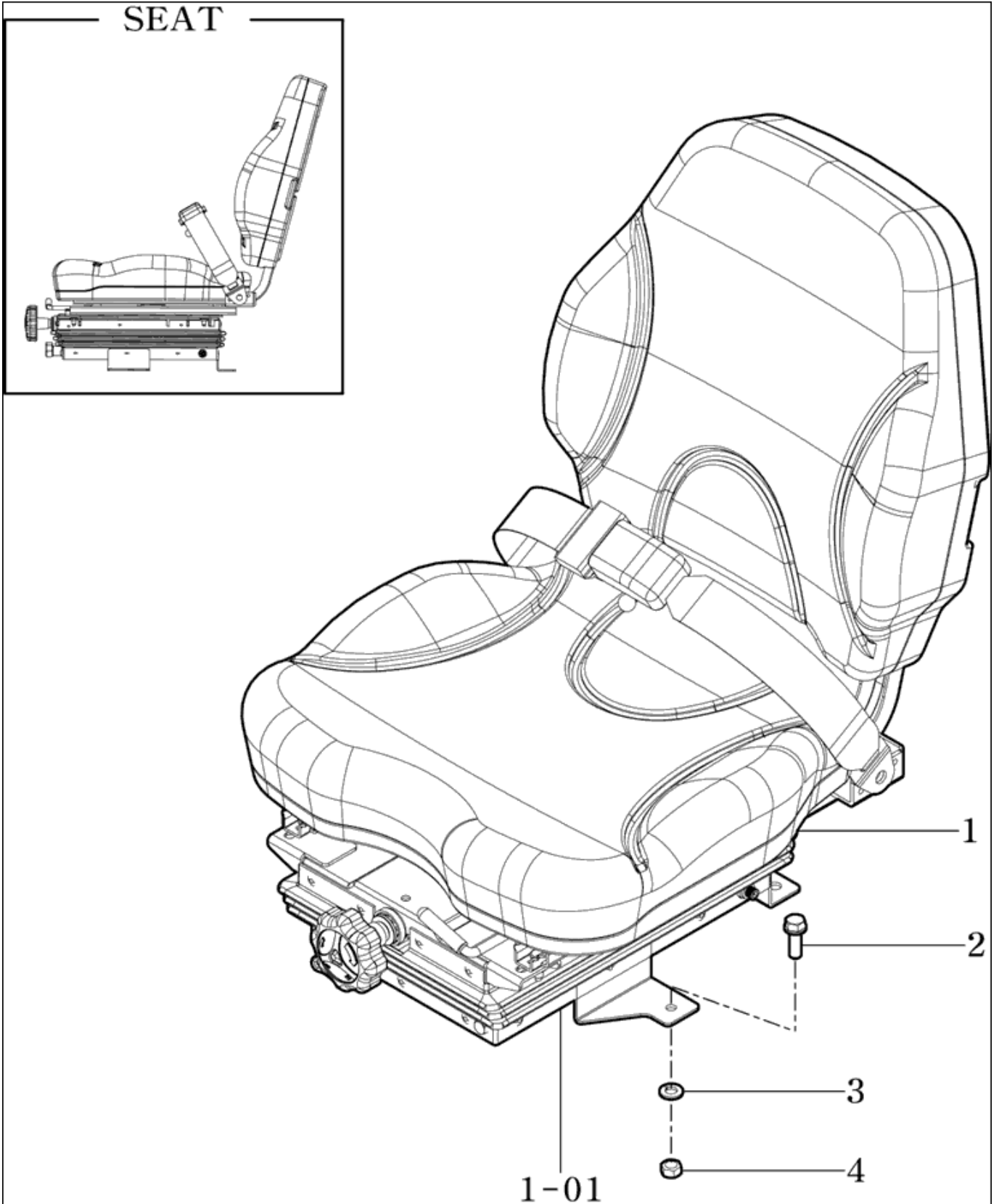
FIG

TS25NCEU

SEAT

년/월
Year/Month

2021-09



NOTE

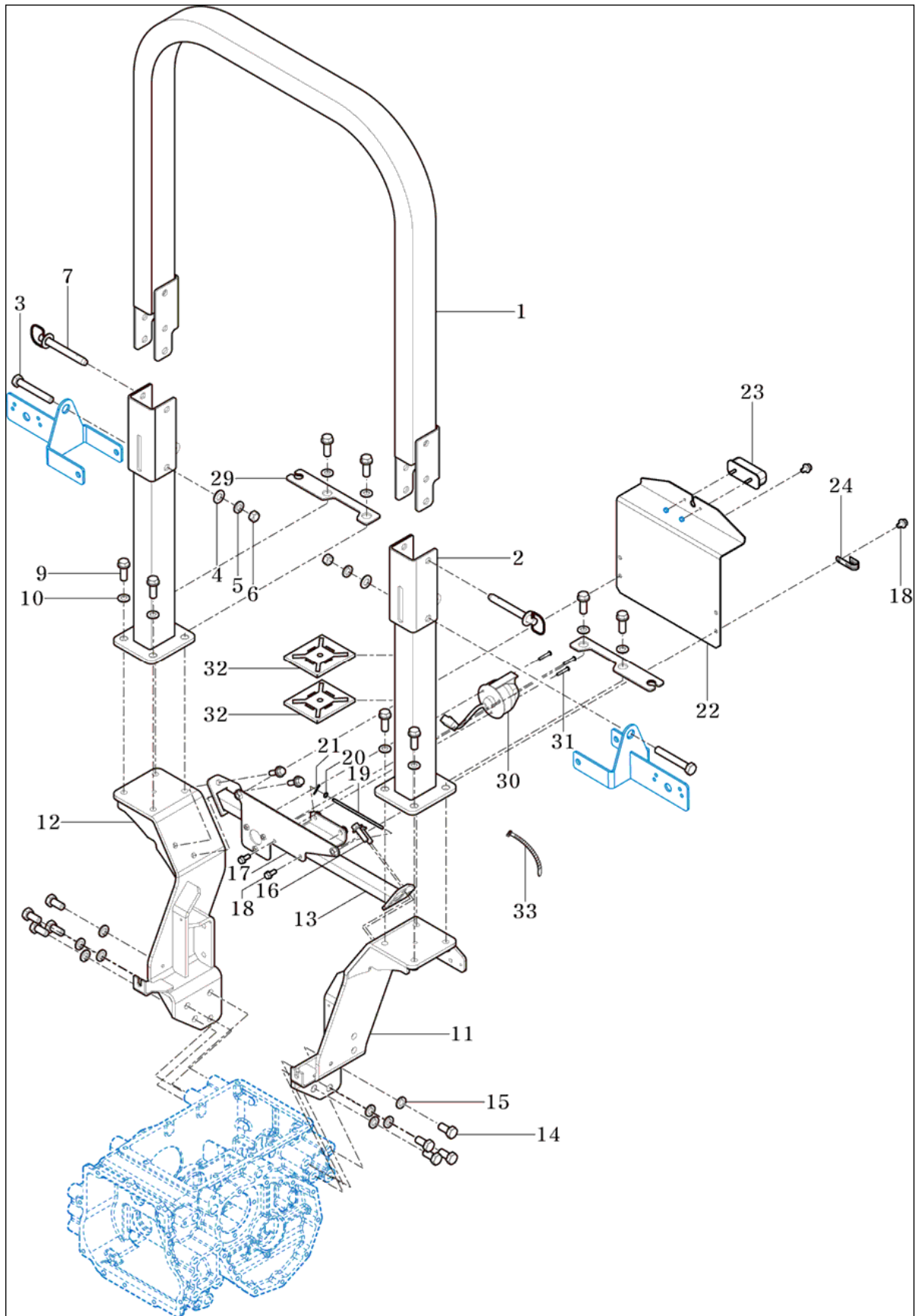
FIG

TS25NCEU

ROPS

년/월
Year/Month

2021-09



NOTE

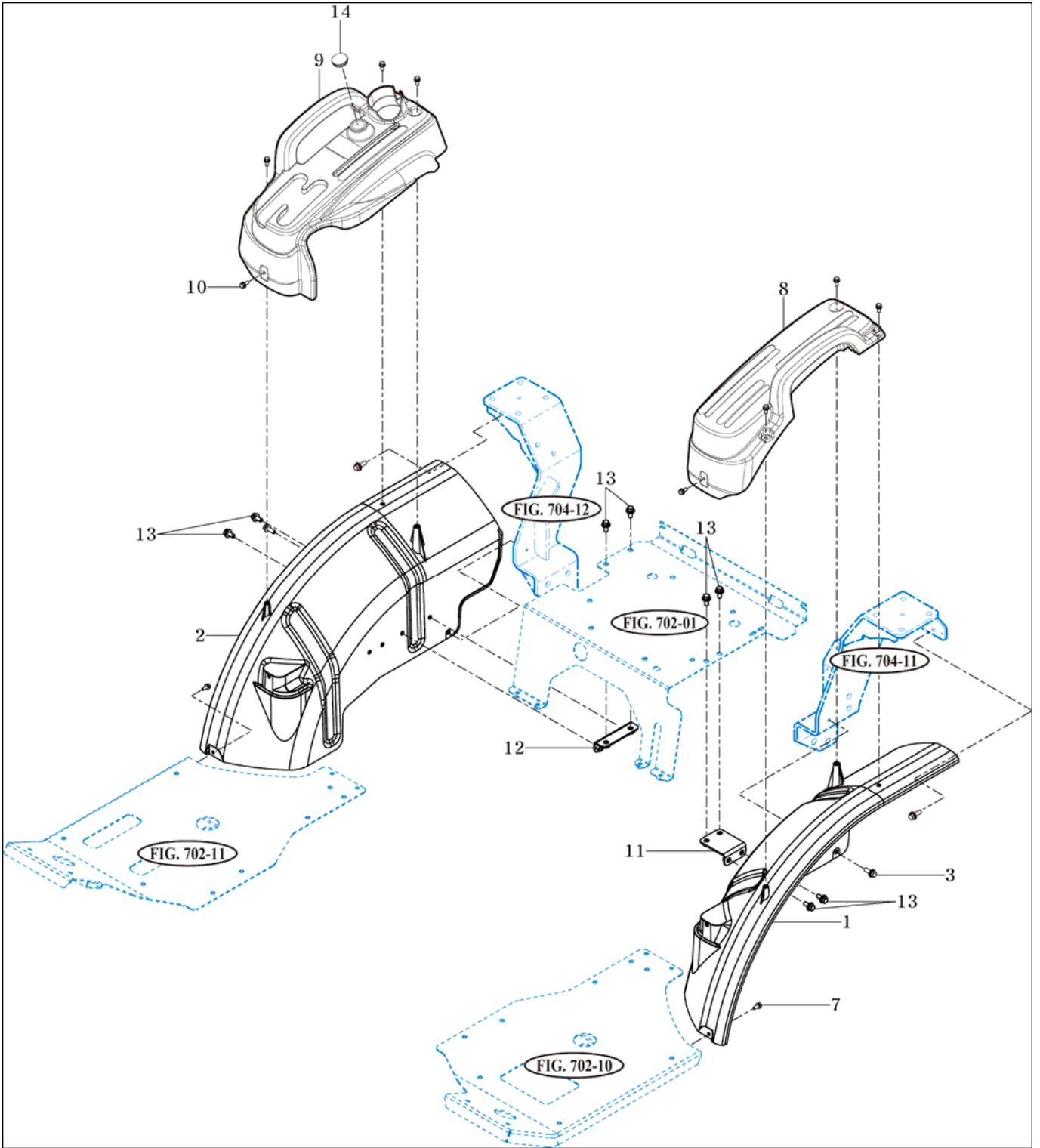
FIG

LEVER COVER & FENDER

년/월
Year/Month

TS25NCEU

2021-09



NOTE

FIG TS25NCEU		LEVER COVER & FENDER						년/월 Year/Month
								2021-09
KEY NO	PART NO	DESCRIPTION	SPEC	QTY	REPAIR	EFFECTIVE DATE	REMARKS	
1	11106402101SR	FENDER COMP , LH		1				
2	11106402201SR	FENDER COMP , RH		1				
3	V2183608020	BOLT , HEX/SP	M8X20	4				
7	V2193606016	BOLT , HEX/SPL	M6X16	2				
8	11106082111DG	COVER , LH/LEVER		1				
9	11106082121DG	COVER , RH/LEVER		1				
10	V2123806020	BOLT , HEX /SP	M6X20	8				
11	11106403100SR	FENDER BRACKET COMP , LH		1				
12	11106403200SR	FENDER BRACKET COMP , RH		1				
13	V2183608020	BOLT , HEX/SP	M8X20	8				
14	11616510210	CAP , RUBBER(25)		1				
NOTE								

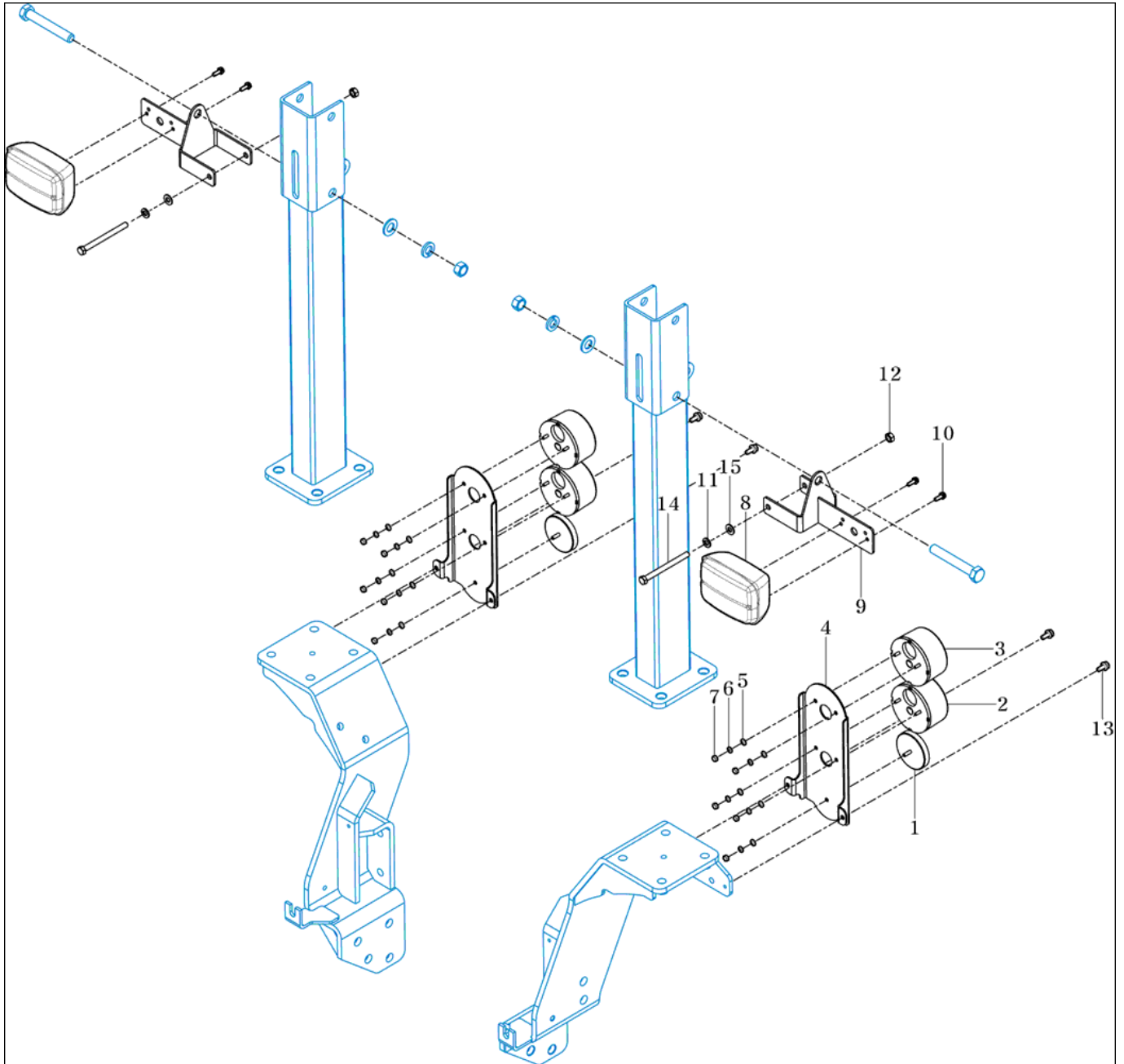
FIG

TS25NCEU

LAMP

년/월
Year/Month

2021-09



NOTE

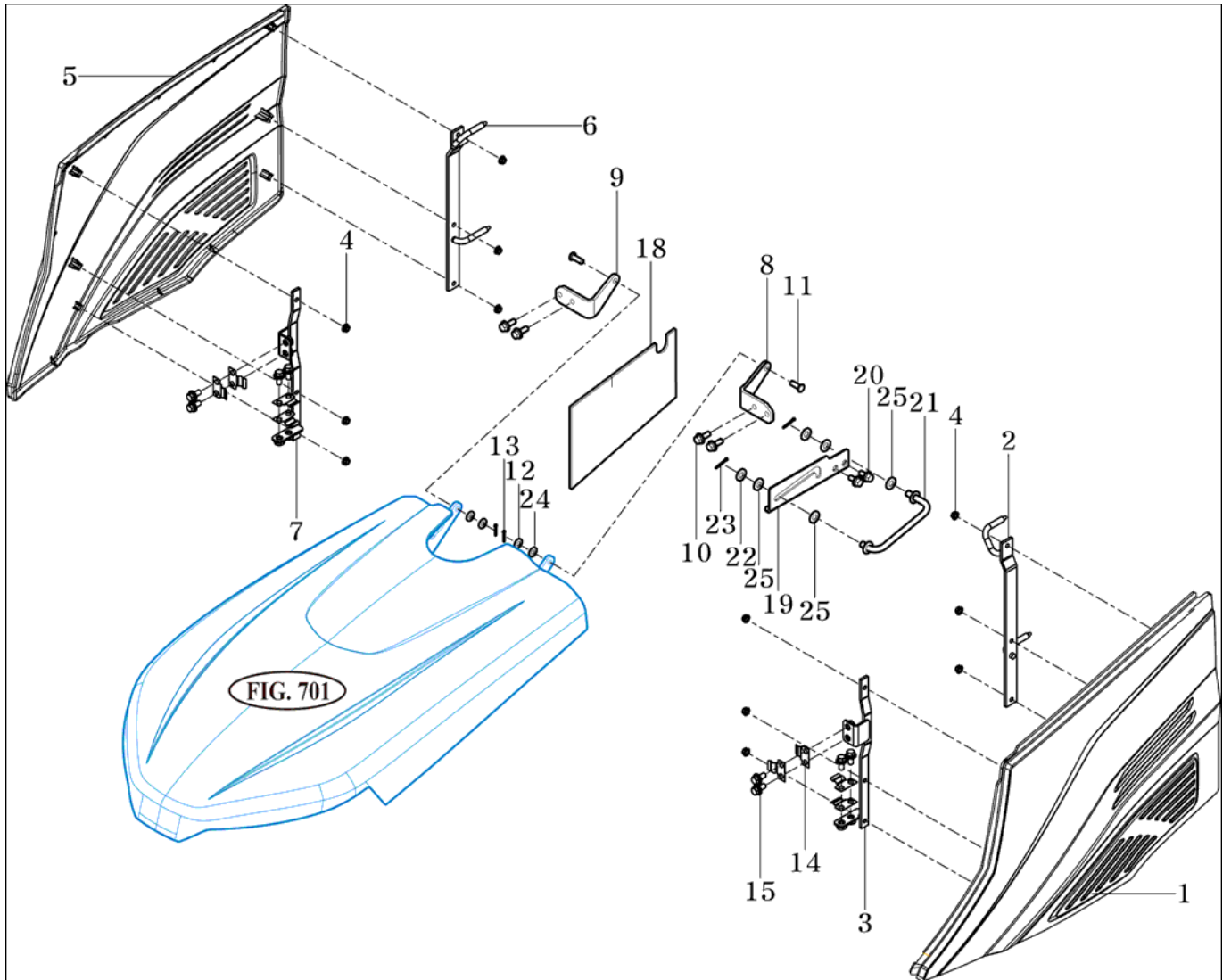
FIG

TS25NCEU

BONNET

년/월
Year/Month

2021-09



NOTE

8. Electrical System PART NO. T8

FIG BATTERY MOUNTING	172
FIG INSTRUMENT PANEL	174
FIG HARNESS	176
FIG HARNESS	178
FIG HARNESS	180

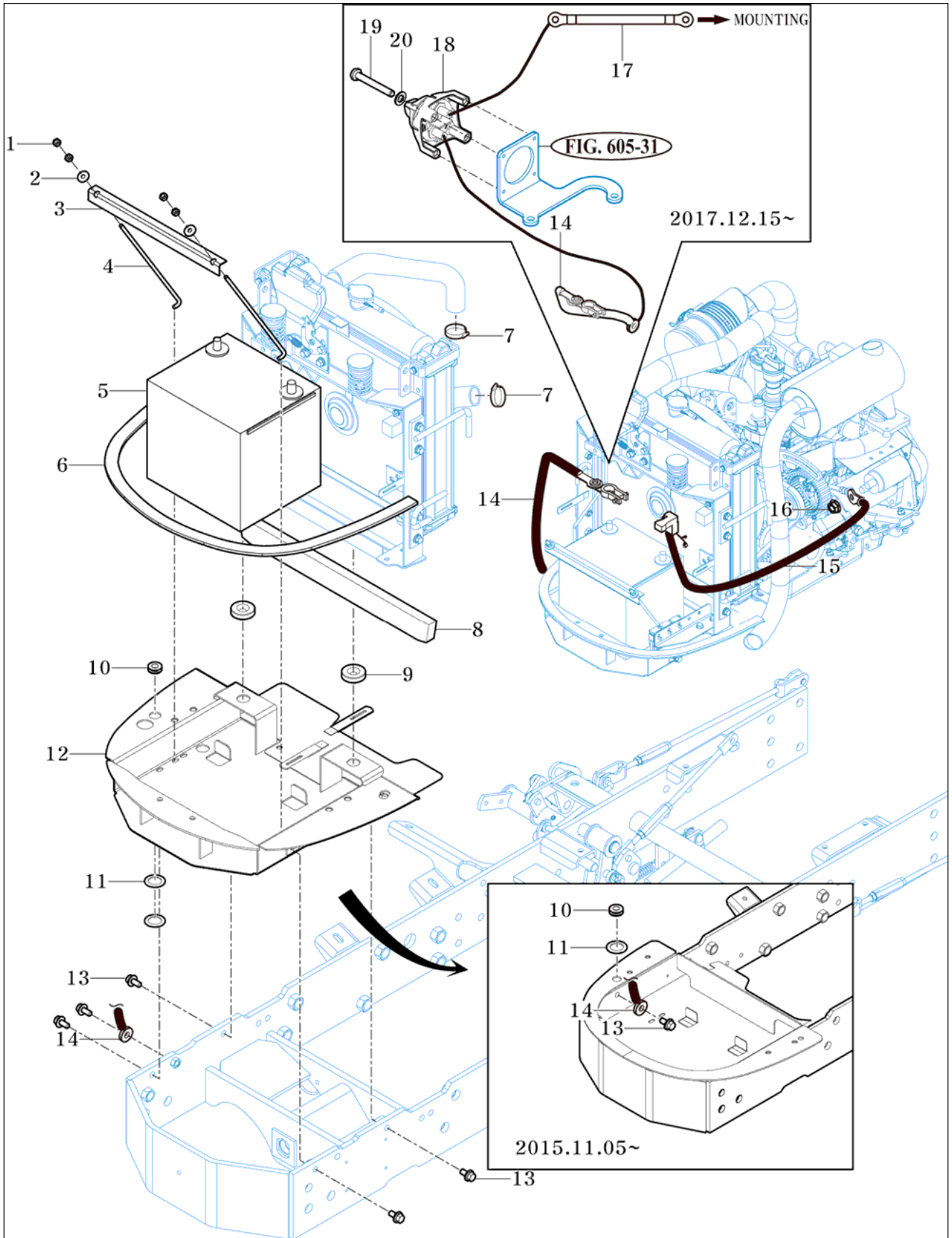
FIG

BATTERY MOUNTING

년/월
Year/Month

TS25NCEU

2021-09



NOTE

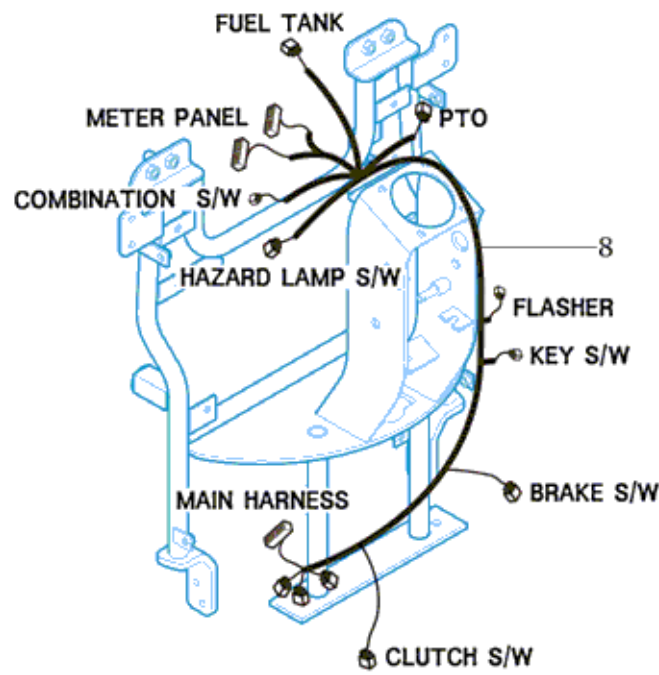
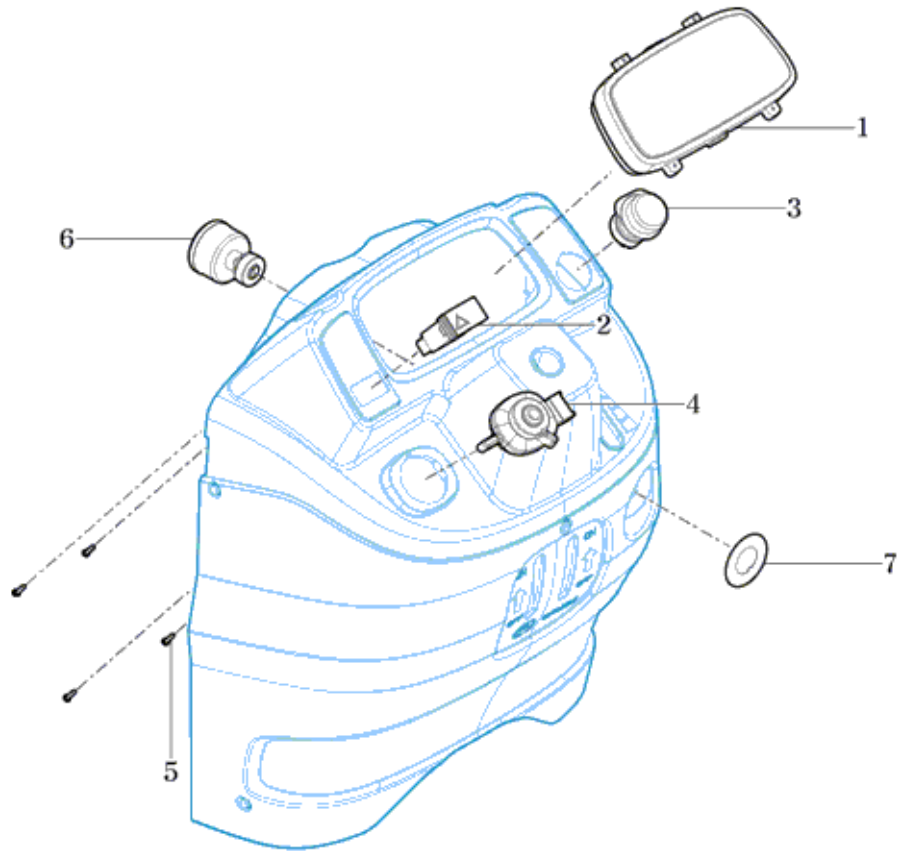
FIG

INSTRUMENT PANEL

년/월
Year/Month

TS25NCEU

2021-09



NOTE

FIG TS25NCEU		INSTRUMENT PANEL					년/월 Year/Month	
							2021-09	
KEY NO	PART NO	DESCRIPTION	SPEC	QTY	REPAIR	EFFECTIVE DATE	REMARKS	
1	11146602000	PANEL ASSY , METER		1				
2	14537072500	hazard SWITCH		1				
3	11106400030	CAP , SWITCH		1				
4	13156642202	SWITCH , COMBI		1				
5	V1922604016	SCREW , TAPPING		4				
6	14527078701	SWITCH SET,KEY		1				
7	17699040961	LABEL . KEY		1				
8	11506683004	HARNESS ASSY , MAIN		1				
NOTE								

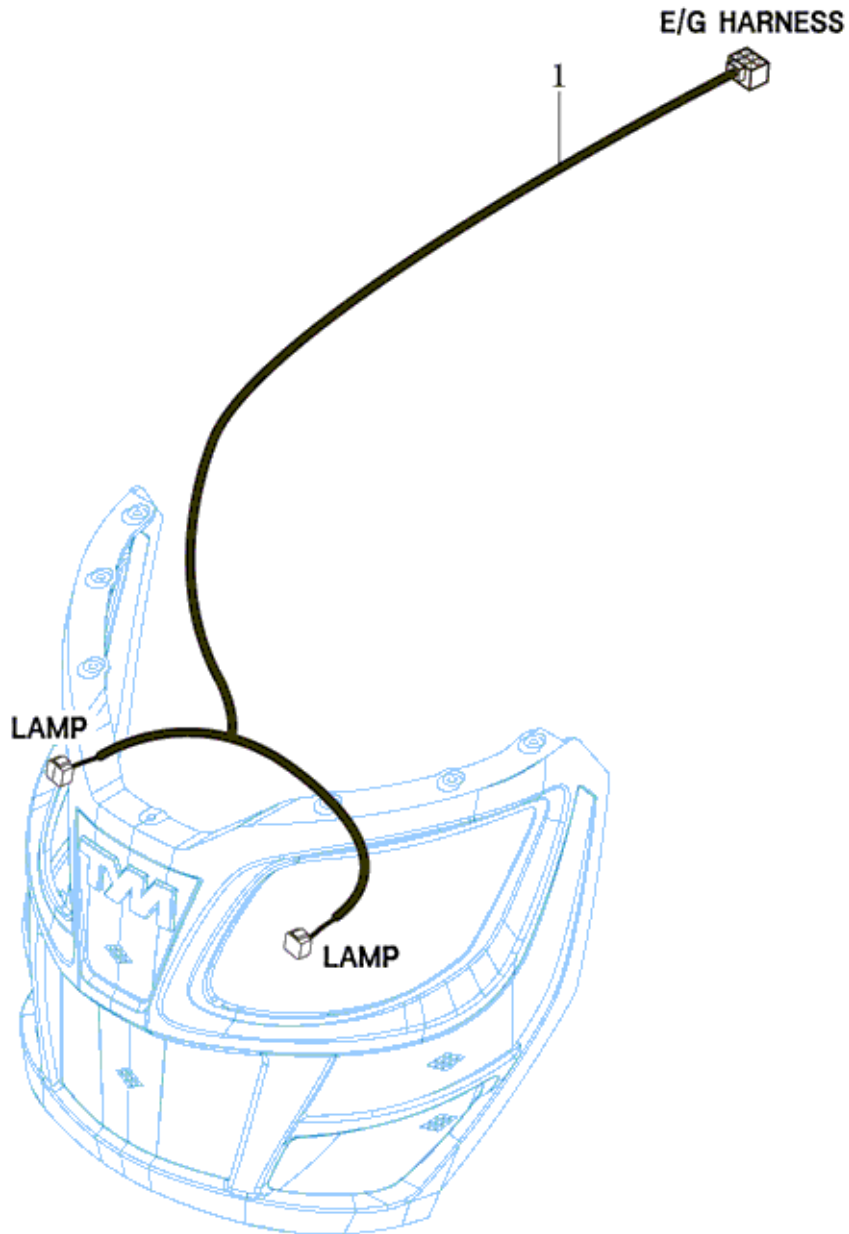
FIG

TS25NCEU

HARNESS

년/월
Year/Month

2021-09



NOTE

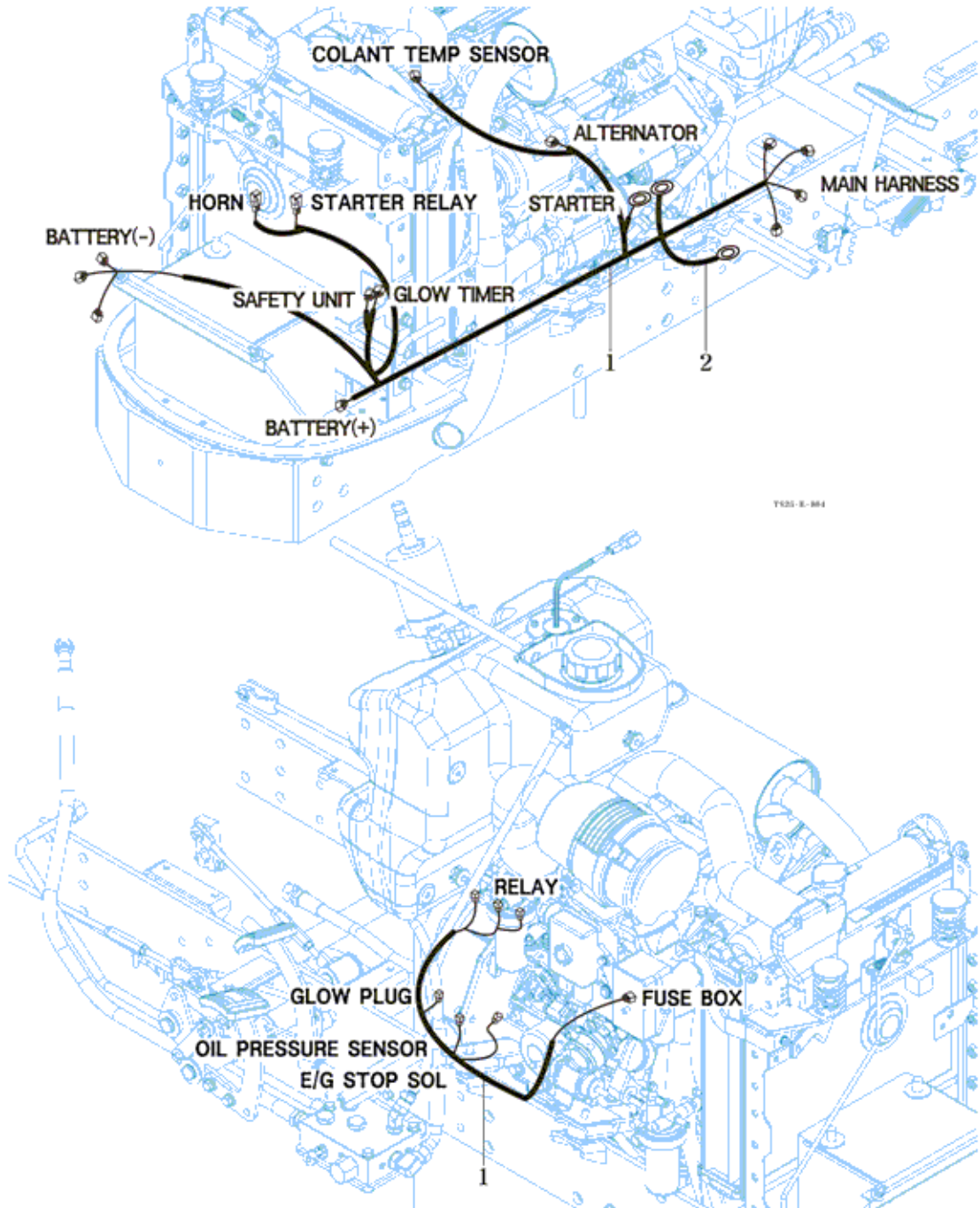
FIG

HARNESS

년/월
Year/Month

TS25NCEU

2021-09



NOTE

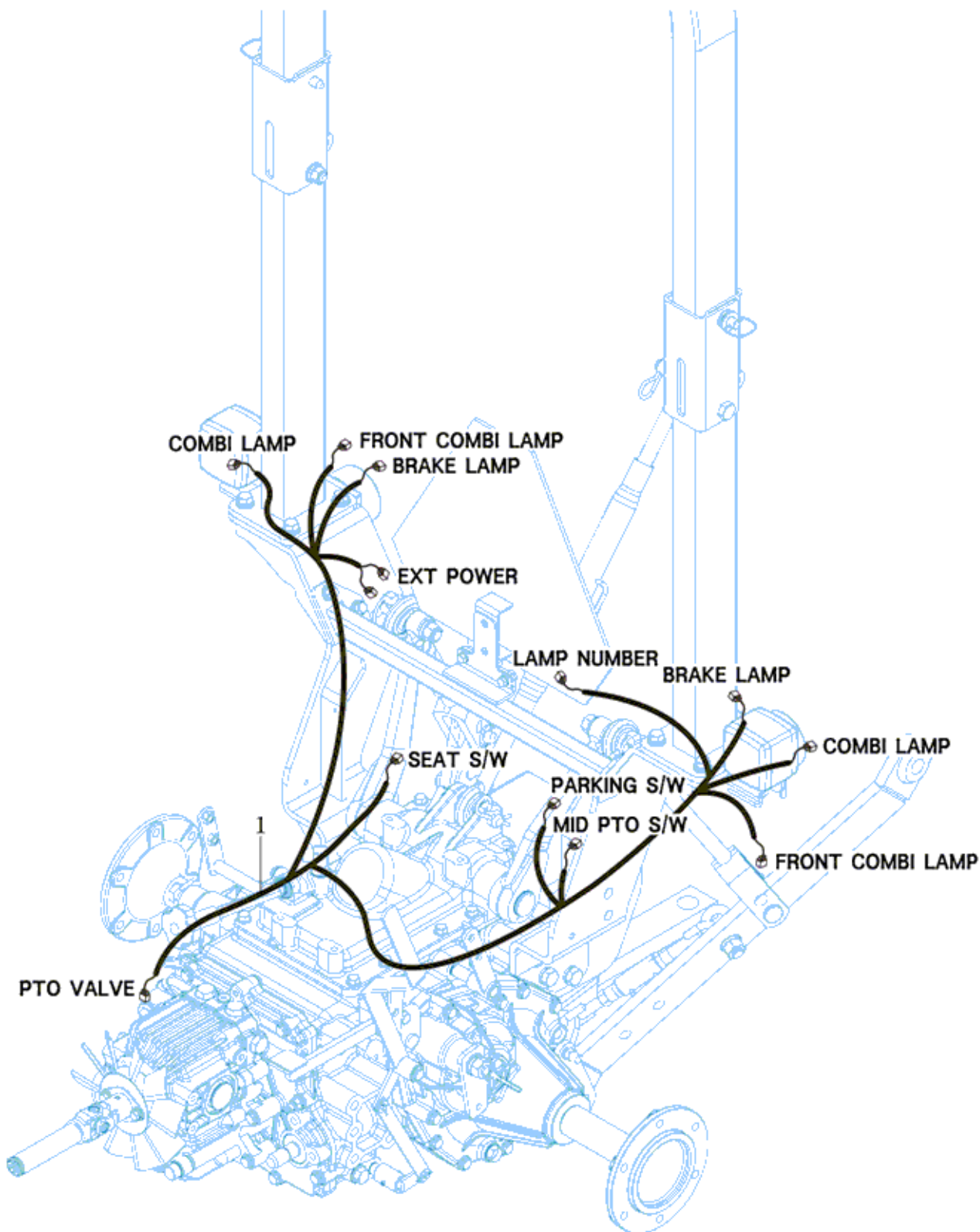
FIG

TS25NCEU

HARNESS

년/월
Year/Month

2021-09

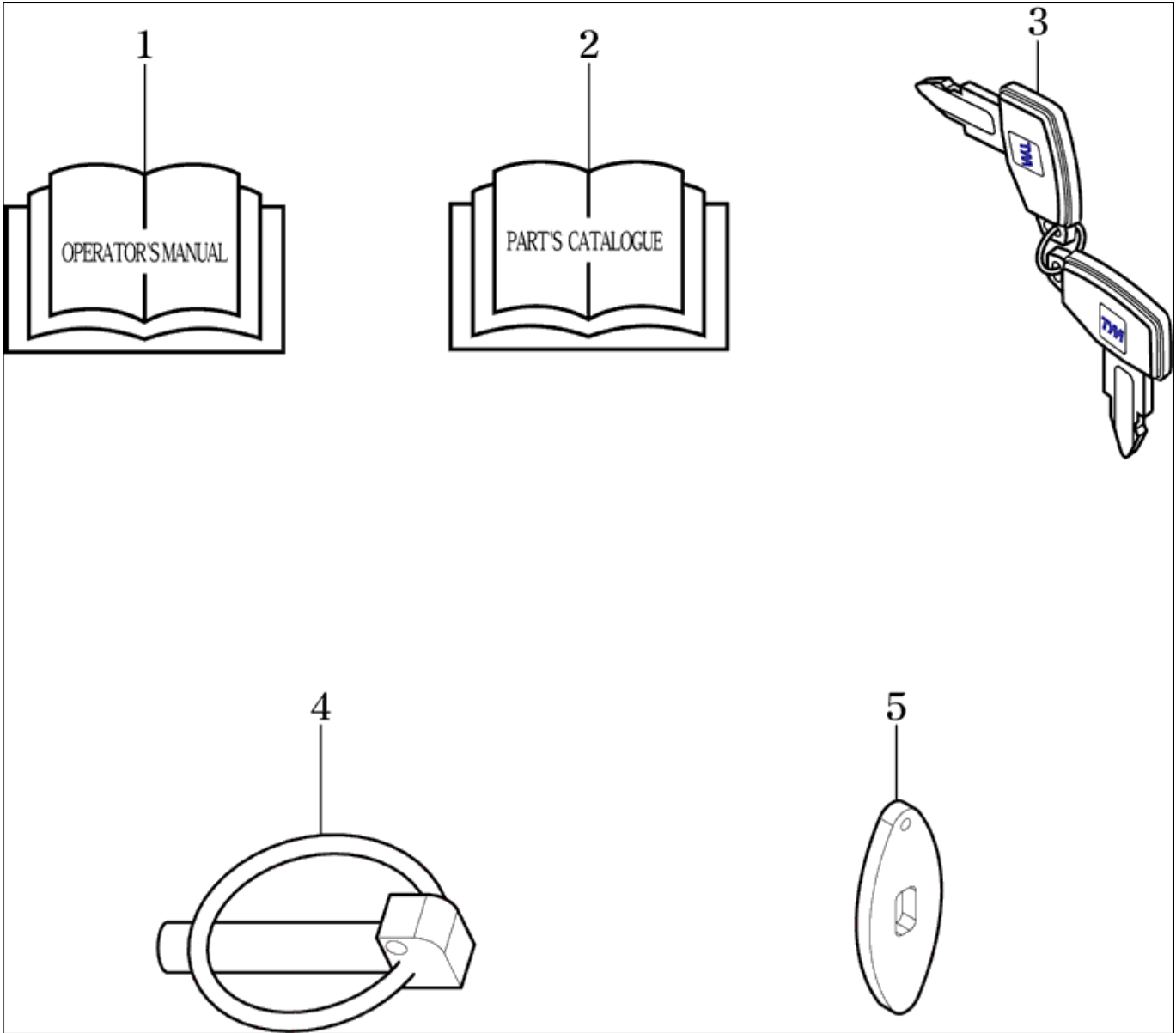


NOTE

9. Label/Option PART NO. T9

FIG TOOL & ACCESSORY	183
FIG LABEL	185
FIG LABEL	187
FIG AUXILIARY VALVE KIT - OPTION	189
FIG WEIGHT	191

FIG TS25NCEU	TOOL & ACCESSORY	년/월 Year/Month
		2021-09



NOTE	
------	--

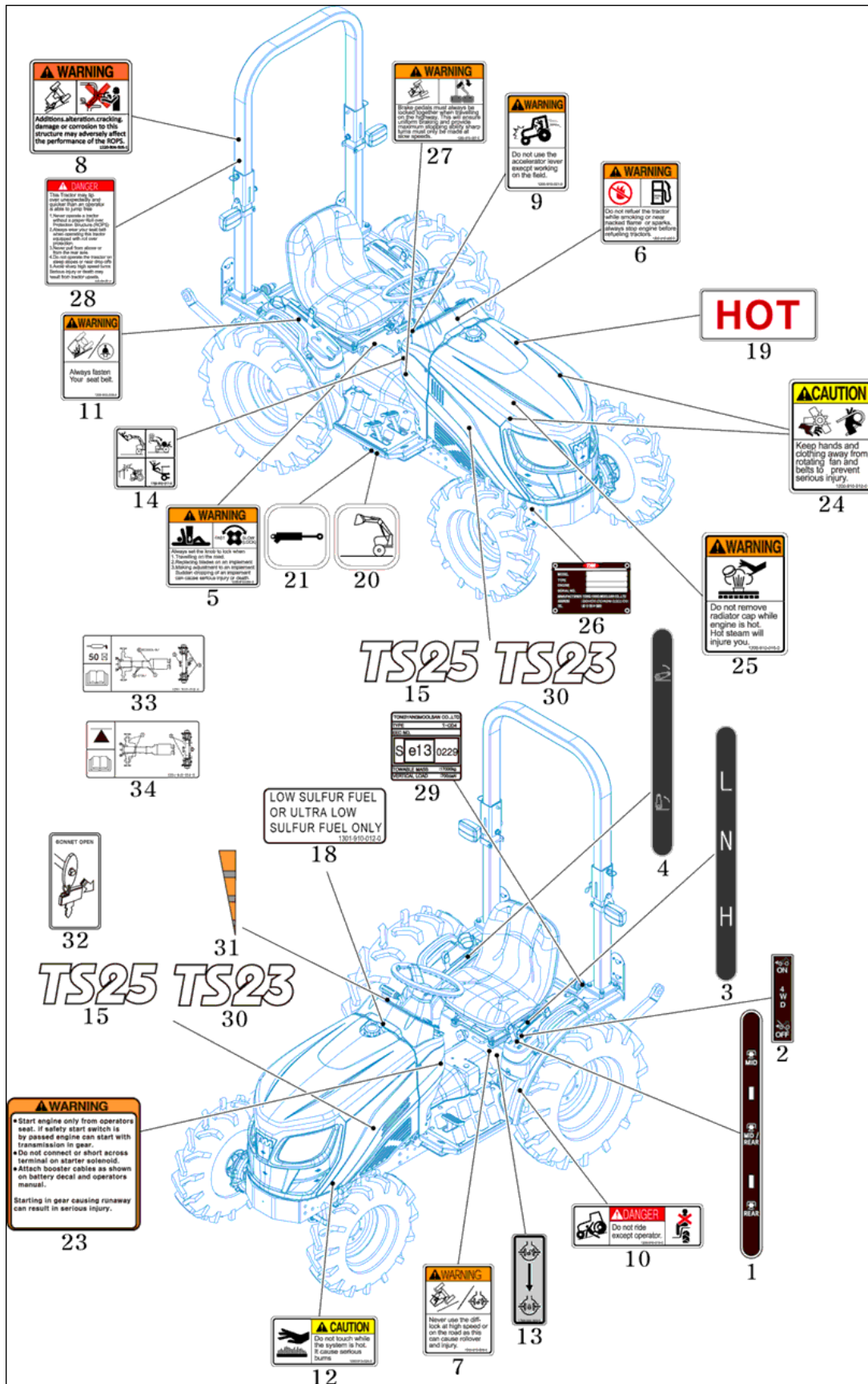
FIG

TS25NCEU

LABEL

년/월
Year/Month

2021-09



NOTE

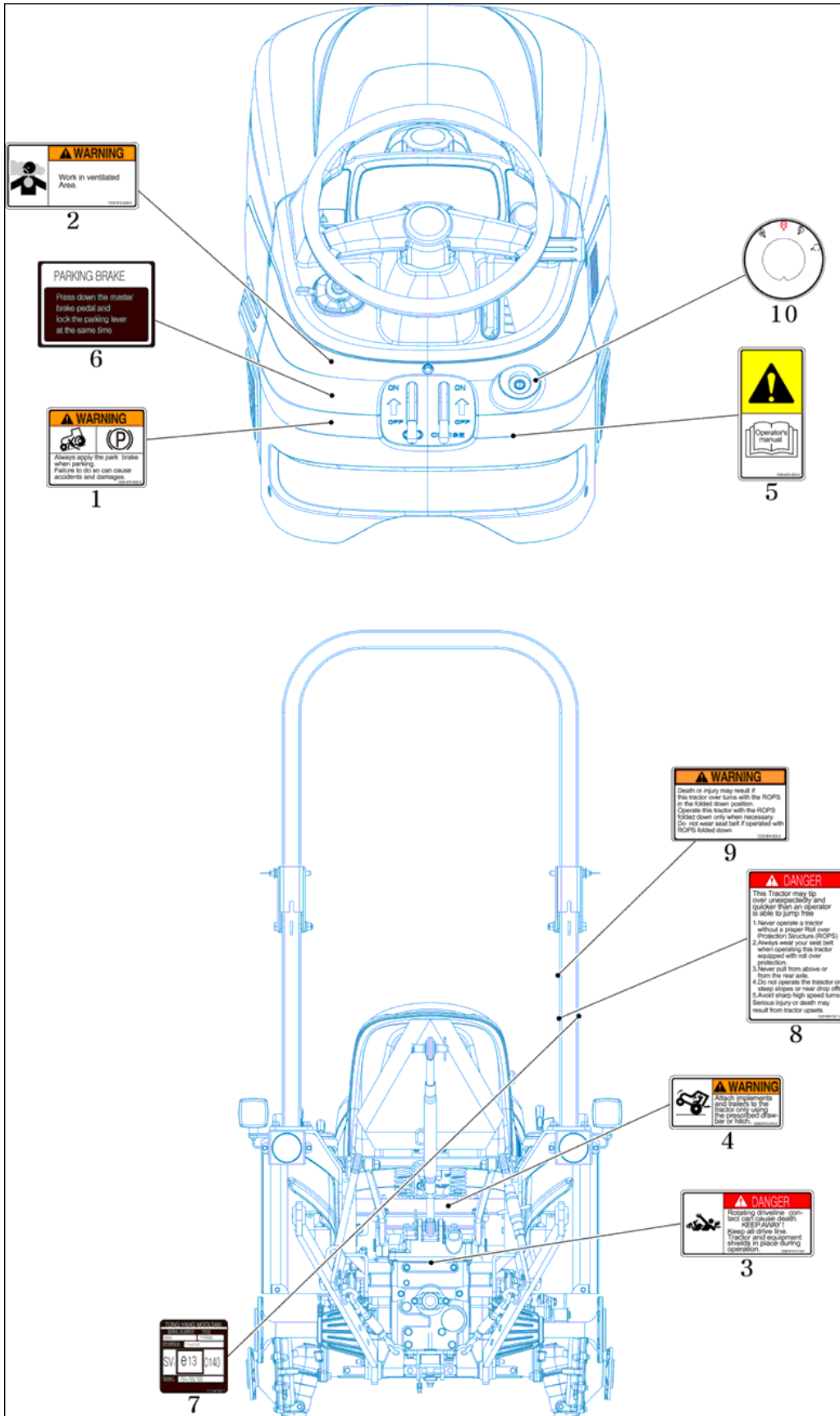
FIG

TS25NCEU

LABEL

년/월
Year/Month

2021-09



NOTE

FIG TS25NCEU	LABEL						년/월 Year/Month
							2021-09

KEY NO	PART NO	DESCRIPTION	SPEC	QTY	REPAIR	EFFECTIVE DATE	REMARKS
1	12009100020	LABEL , WARNING PARKING	1X1X1	1			
2	12009100030	LABEL , WARNING EXHAUST	1X1X1	1			
3	12009100130	LABEL , DANGER PTO	1X1X1	1			
4	12009100140	LABEL , WARNING DRAW	1X1X1	1			
5	12009100230	LABEL , CAUTION OPERATION	T=0.05	1			
6	14729040130	LABEL , CAUTION PARKING		1			
7	11129040691	FORM MARK , ROPS		1			
8	12209045010	LABEL , ROPS DANGER	T=0.05	1			
9	12209045020	LABEL , ROPS WARNING	T=0.05	1			
10	11129040960	LABEL . KEY		1			
NOTE							

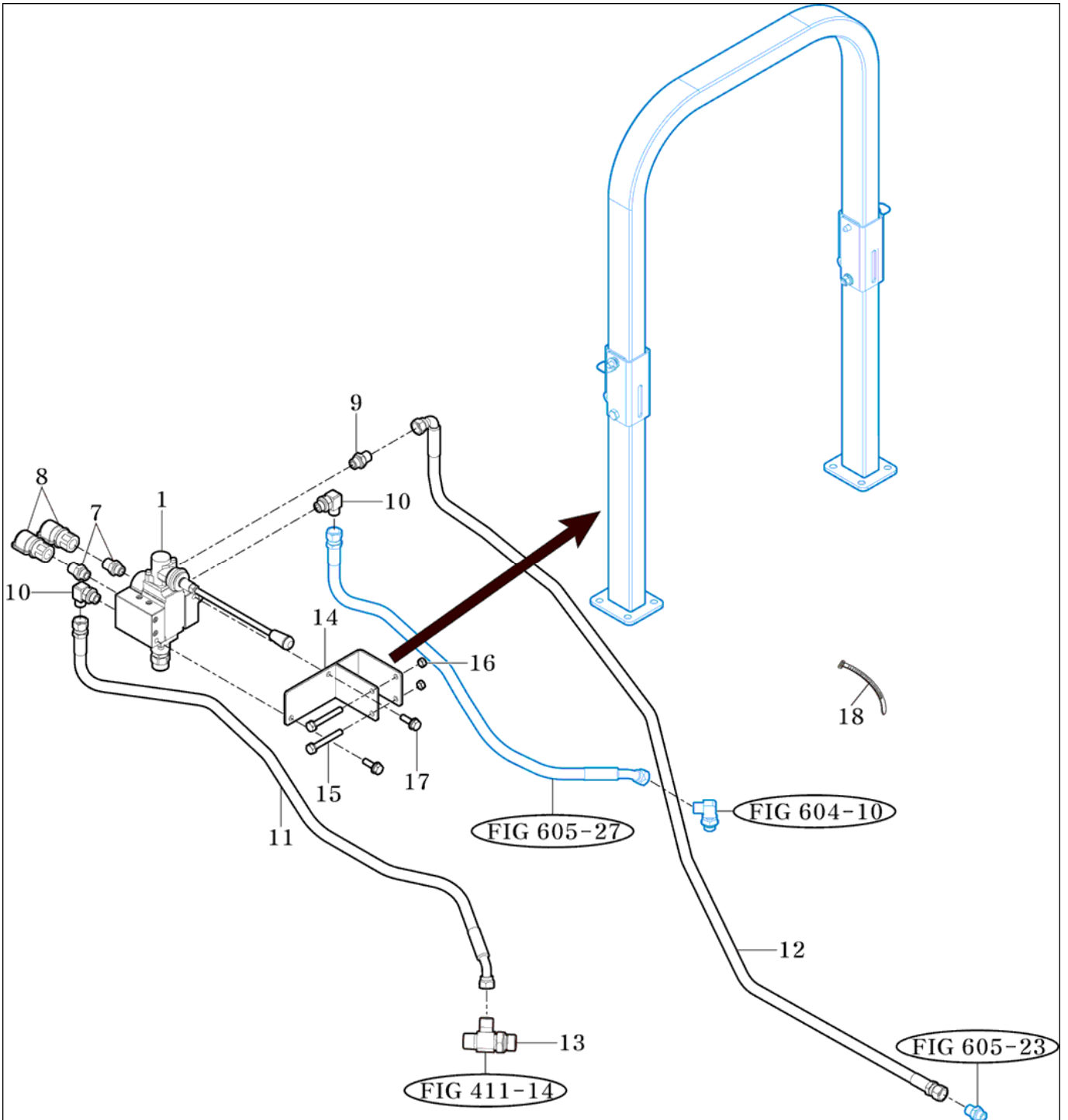
FIG

TS25NCEU

AUXILIARY VALVE KIT - OPTION

년/월
Year/Month

2021-09



NOTE

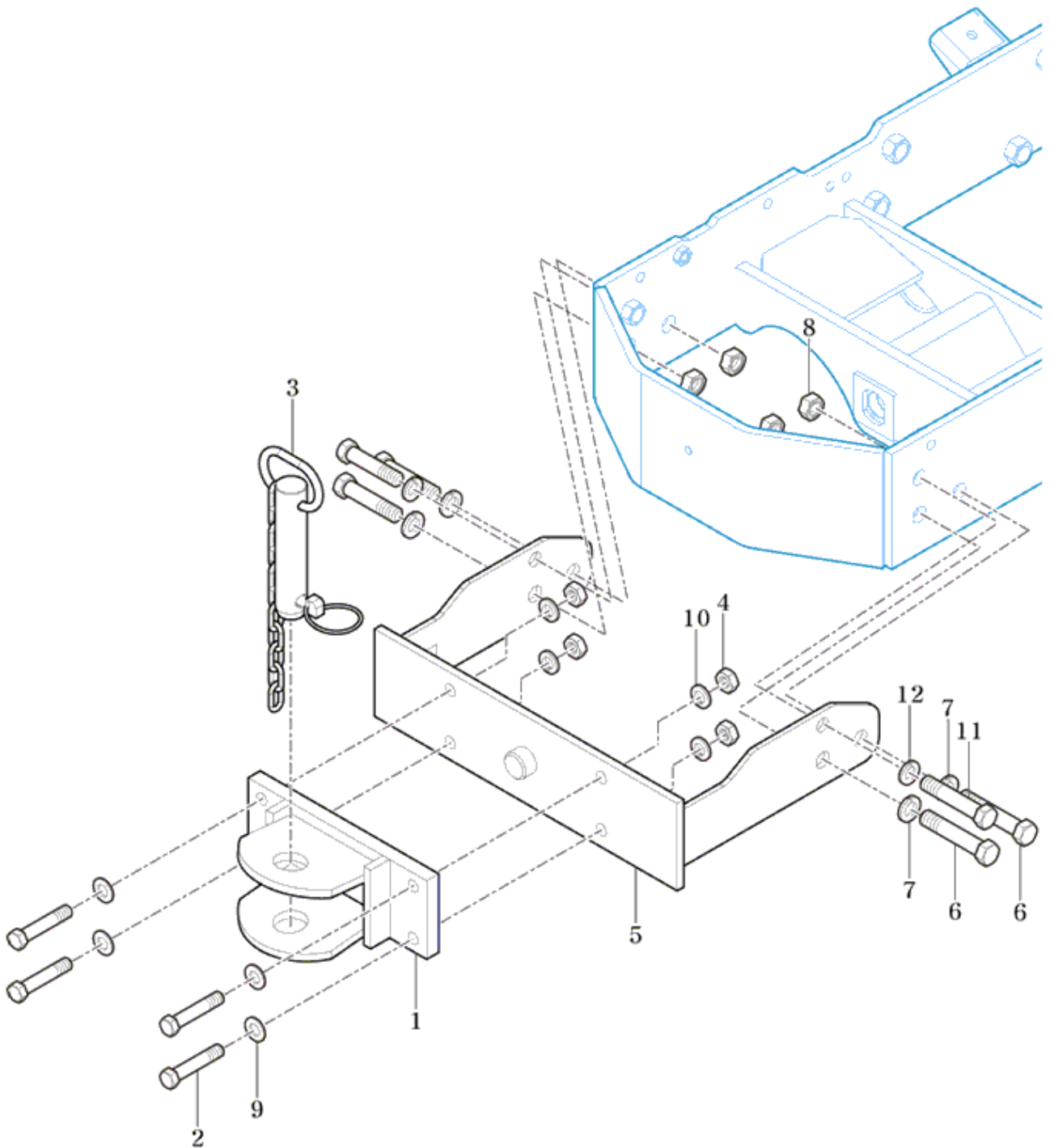
FIG

TS25NCEU

WEIGHT

년/월
Year/Month

2021-09



NOTE

